

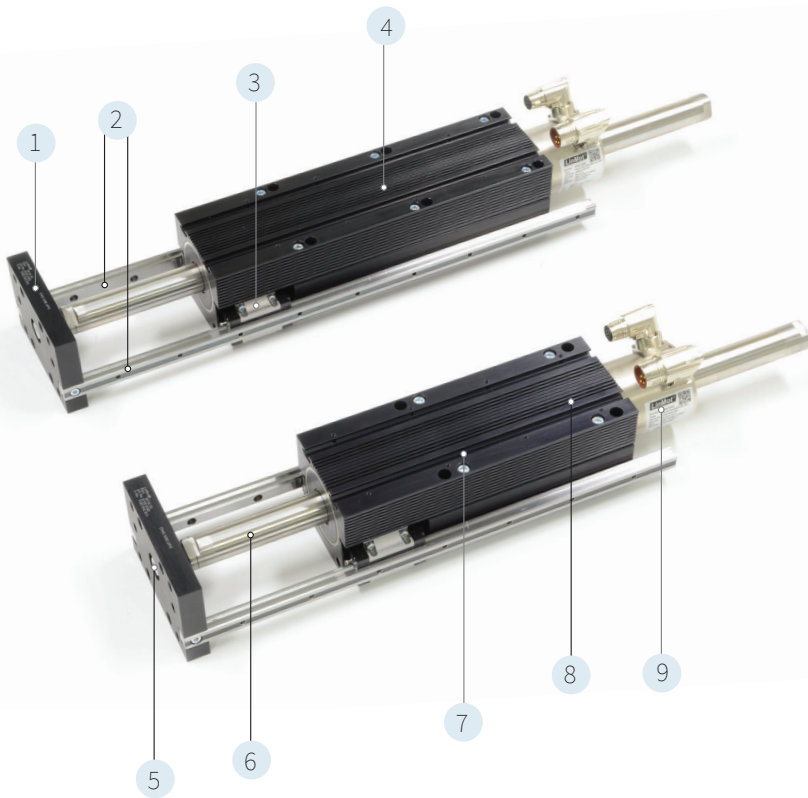
LINEAR GUIDES H10



- ✓ Bearing external forces, torque and bending moments
- ✓ Turning resistance
- ✓ Profile guide rail with four ball rows
- ✓ Load can be mounted directly to the front plate
- ✓ Easy assembly and replacement of individual components by modular design

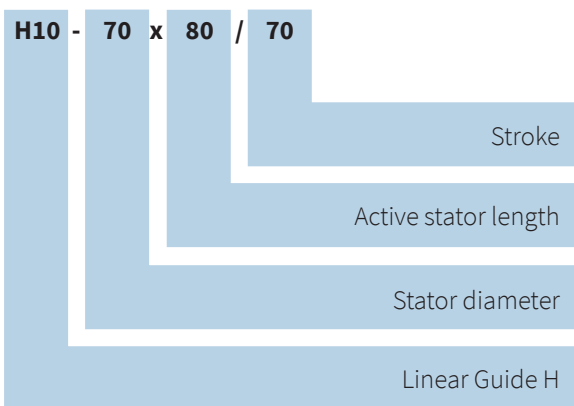
LINEAR GUIDES H10

/ DESCRIPTION /	1010
/ TECHNICAL DATA /	1011
Linear Module HM10-70x80	1011
LINEAR MODULE HM10-70x160	1013
LINEAR MODULE HM10-70x240	1015
LINEAR MODULE HM10-70x320	1017
LINEAR MODULE HM10-70x400	1019
/ PARTS LIST /	1021

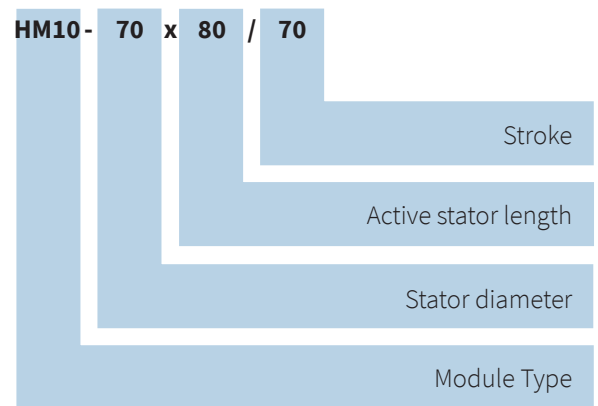


1. Mounting plate with counter bore for precise load mounting
2. Hardened or stainless H-guide rods for precise positioning and quiet operation
3. Profile guide with four ball rows, for high load masses and long life
4. Guide block with counter bores for uncomplicated, precise mounting of the Linear Module
5. Integrated linear coupling for easy installation of the slider
6. Linear motor slider, guarantees maximum force and precise positioning
7. T-slots in the guide block allow simple mounting of accessories.
8. Clamping cylinder to secure the stator in the guide block
9. Linear motor stator with integrated bearings, temperature and position sensors

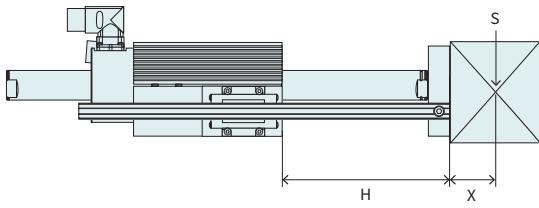
Designation Linear Guide H10



Designation Linear Module HM10

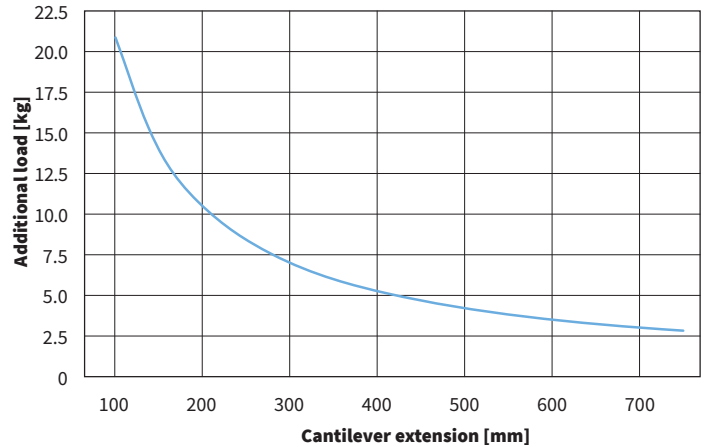


MAXIMUM LOAD WITH HM10-70x80



H = Stroke + Plate thickness
 X = Distance to center of gravity
 S = Center of gravity
 Cantilever extension = H + X

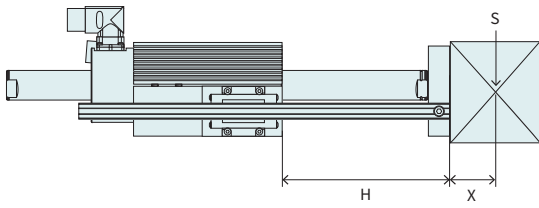
The maximum load depends on the cantilever extension (distance H plus distance X between the center of gravity of the working load and the mounting surface).



ORDERING INFORMATION

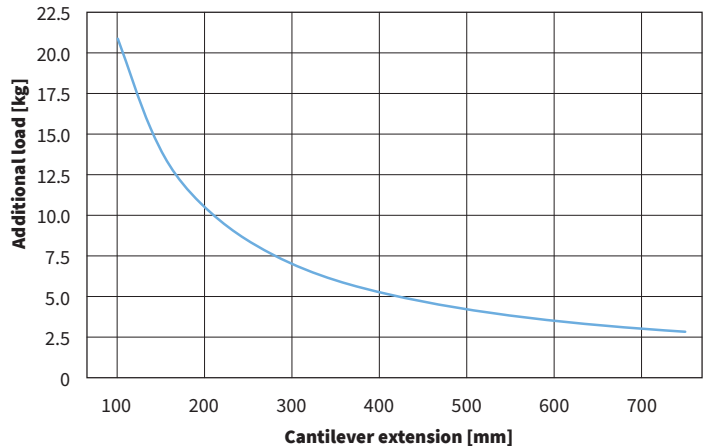
HM10-70x80/70	Linear Module 70x80 with 70 mm Stroke			
→ Linear Guide	H10-70x80/70	H-Guide for P10-70x80, Stroke max 70 mm		0150-5404
→ Stator	PS10-70x80U-BL-QJ	Stator 3x400VAC, LinMot Encoder		0150-1291
	PS10-70x80U-BL-QJ-D01	Stator 3x400VAC, Sin/Cos Encoder 1Vpp, KTY		0150-2282
	PS10-70x80U-BL-QJ-D02	Stator 3x400VAC, Sin/Cos Encoder 1Vpp, PTC		0150-2360
	PS10-70x80U-BL-QJ-D03	Stator 3x400VAC, Sin/Cos 1Vpp, KTY on power connector		0150-2708
→ Slider	PL10-28x290/240	Slider for P10-70 'standard'		0150-2193
HM10-70x80/170	Linear Module 70x80 with 170 mm Stroke			
→ Linear Guide	H10-70x80/170	H-Guide for P10-70x80, Stroke max 170 mm		0150-5405
→ Stator	PS10-70x80U-BL-QJ	Stator 3x400VAC, LinMot Encoder		0150-1291
	PS10-70x80U-BL-QJ-D01	Stator 3x400VAC, Sin/Cos Encoder 1Vpp, KTY		0150-2282
	PS10-70x80U-BL-QJ-D02	Stator 3x400VAC, Sin/Cos Encoder 1Vpp, PTC		0150-2360
	PS10-70x80U-BL-QJ-D03	Stator 3x400VAC, Sin/Cos 1Vpp, KTY on power connector		0150-2708
→ Slider	PL10-28x390/340	Slider for P10-70 'standard'		0150-2194
HM10-70x80/270	Linear Module 70x80 with 270 mm Stroke			
→ Linear Guide	H10-70x80/270	H-Guide for P10-70x80, Stroke max 270 mm		0150-5406
→ Stator	PS10-70x80U-BL-QJ	Stator 3x400VAC, LinMot Encoder		0150-1291
	PS10-70x80U-BL-QJ-D01	Stator 3x400VAC, Sin/Cos Encoder 1Vpp, KTY		0150-2282
	PS10-70x80U-BL-QJ-D02	Stator 3x400VAC, Sin/Cos Encoder 1Vpp, PTC		0150-2360
	PS10-70x80U-BL-QJ-D03	Stator 3x400VAC, Sin/Cos 1Vpp, KTY on power connector		0150-2708
→ Slider	PL10-28x490/440	Slider for P10-70 'standard'		0150-2195
HM10-70x80/370	Linear Module 70x80 with 370 mm Stroke			
→ Linear Guide	H10-70x80/370	H-Guide for P10-70x80, Stroke max 370 mm		0150-5407
→ Stator	PS10-70x80U-BL-QJ	Stator 3x400VAC, LinMot Encoder		0150-1291
	PS10-70x80U-BL-QJ-D01	Stator 3x400VAC, Sin/Cos Encoder 1Vpp, KTY		0150-2282
	PS10-70x80U-BL-QJ-D02	Stator 3x400VAC, Sin/Cos Encoder 1Vpp, PTC		0150-2360
	PS10-70x80U-BL-QJ-D03	Stator 3x400VAC, Sin/Cos 1Vpp, KTY on power connector		0150-2708
→ Slider	PL10-28x590/540	Slider for P10-70 'standard'		0150-2196
HM10-70x80/470	Linear Module 70x80 with 470 mm Stroke			
→ Linear Guide	H10-70x80/470	H-Guide for P10-70x80, Stroke max 470 mm		0150-5408
→ Stator	PS10-70x80U-BL-QJ	Stator 3x400VAC, LinMot Encoder		0150-1291
	PS10-70x80U-BL-QJ-D01	Stator 3x400VAC, Sin/Cos Encoder 1Vpp, KTY		0150-2282
	PS10-70x80U-BL-QJ-D02	Stator 3x400VAC, Sin/Cos Encoder 1Vpp, PTC		0150-2360
	PS10-70x80U-BL-QJ-D03	Stator 3x400VAC, Sin/Cos 1Vpp, KTY on power connector		0150-2708
→ Slider	PL10-28x690/640	Slider for P10-70 'standard'		0150-2197
ACCESSORIES	Fan	HV01-37/48	Fan cooling for H01-37/48 & PF01-48	0150-5051

MAXIMUM LOAD WITH HM10-70x160



H = Stroke + Plate thickness
 X = Distance to center of gravity
 S = Center of gravity
 Cantilever extension = H + X

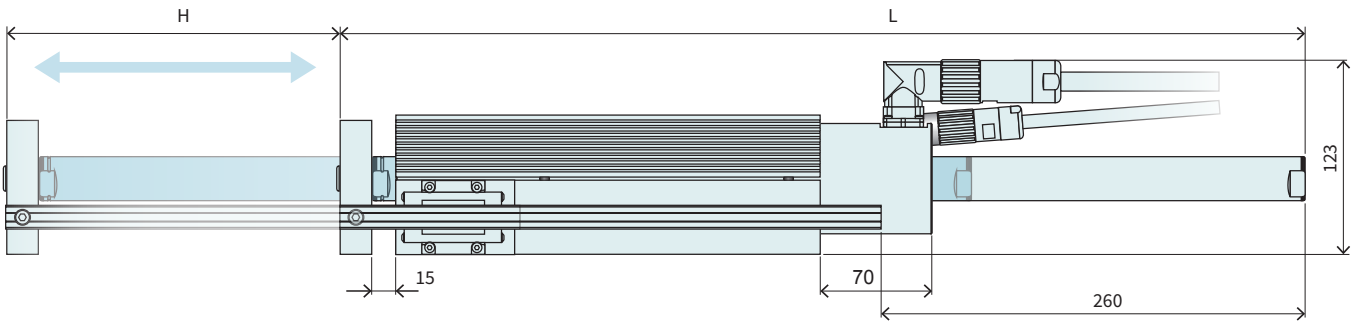
The maximum load depends on the cantilever extension (distance H plus distance X between the center of gravity of the working load and the mounting surface).



ORDERING INFORMATION

HM10-70x160/90	Linear Module 70x160 with 90 mm Stroke			
→	Linear Guide	H10-70x160/90	H-Guide for P10-70x160, 90 mm Stroke	0150-5409
→	Stator	PS10-70x160U-BL-QJ	Stator 3x400VAC, LinMot Encoder	0150-1292
		PS10-70x160U-BL-QJ-D01	Stator 3x400VAC, Sin/Cos Encoder 1Vpp, KTY	0150-2283
		PS10-70x160U-BL-QJ-D02	Stator 3x400VAC, Sin/Cos Encoder 1Vpp, PTC	0150-2361
		PS10-70x160U-BL-QJ-D03	Stator 3x400VAC, Sin/Cos 1Vpp, KTY on power connector	0150-2709
→	Slider	PL10-28x390/340	Slider for H10-70x160/90 'standard'	0150-2194
HM10-70x160/190	Linear Module 70x160 with 190 mm Stroke			
→	Linear Guide	H10-70x160/190	H-Guide for P10-70x160, 190 mm Stroke	0150-5410
→	Stator	PS10-70x160U-BL-QJ	Stator 3x400VAC, LinMot Encoder	0150-1292
		PS10-70x160U-BL-QJ-D01	Stator 3x400VAC, Sin/Cos Encoder 1Vpp, KTY	0150-2283
		PS10-70x160U-BL-QJ-D02	Stator 3x400VAC, Sin/Cos Encoder 1Vpp, PTC	0150-2361
		PS10-70x160U-BL-QJ-D03	Stator 3x400VAC, Sin/Cos 1Vpp, KTY on power connector	0150-2709
→	Slider	PL10-28x490/440	Slider for H10-70x160/190 'standard'	0150-2195
HM10-70x160/290	Linear Module 70x160 with 290 mm Stroke			
→	Linear Guide	H10-70x160/290	H-Guide for P10-70x160, 290 mm Stroke	0150-5411
→	Stator	PS10-70x160U-BL-QJ	Stator 3x400VAC, LinMot Encoder	0150-1292
		PS10-70x160U-BL-QJ-D01	Stator 3x400VAC, Sin/Cos Encoder 1Vpp, KTY	0150-2283
		PS10-70x160U-BL-QJ-D02	Stator 3x400VAC, Sin/Cos Encoder 1Vpp, PTC	0150-2361
		PS10-70x160U-BL-QJ-D03	Stator 3x400VAC, Sin/Cos 1Vpp, KTY on power connector	0150-2709
→	Slider	PL10-28x590/540	Slider for H10-70x160/290 'standard'	0150-2196
HM10-70x160/390	Linear Module 70x160 with 390 mm Stroke			
→	Linear Guide	H10-70x160/390	H-Guide for P10-70x160, 390 mm Stroke	0150-5412
→	Stator	PS10-70x160U-BL-QJ	Stator 3x400VAC, LinMot Encoder	0150-1292
		PS10-70x160U-BL-QJ-D01	Stator 3x400VAC, Sin/Cos Encoder 1Vpp, KTY	0150-2283
		PS10-70x160U-BL-QJ-D02	Stator 3x400VAC, Sin/Cos Encoder 1Vpp, PTC	0150-2361
		PS10-70x160U-BL-QJ-D03	Stator 3x400VAC, Sin/Cos 1Vpp, KTY on power connector	0150-2709
→	Slider	PL10-28x690/640	Slider for H10-70x160/390 'standard'	0150-2197
HM10-70x160/490	Linear Module 70x160 with 490 mm Stroke			
→	Linear Guide	H10-70x160/490	H-Guide for P10-70x160, 490 mm Stroke	0150-5413
→	Stator	PS10-70x160U-BL-QJ	Stator 3x400VAC, LinMot Encoder	0150-1292
		PS10-70x160U-BL-QJ-D01	Stator 3x400VAC, Sin/Cos Encoder 1Vpp, KTY	0150-2283
		PS10-70x160U-BL-QJ-D02	Stator 3x400VAC, Sin/Cos Encoder 1Vpp, PTC	0150-2361
		PS10-70x160U-BL-QJ-D03	Stator 3x400VAC, Sin/Cos 1Vpp, KTY on power connector	0150-2709
→	Slider	PL10-28x790/740	Slider for H10-70x160/490 'standard'	0150-2198
ACCESSORIES				
	Fan	HV01-37/48	Fan cooling for H01-37/48 & PF02-37/48	0150-5051

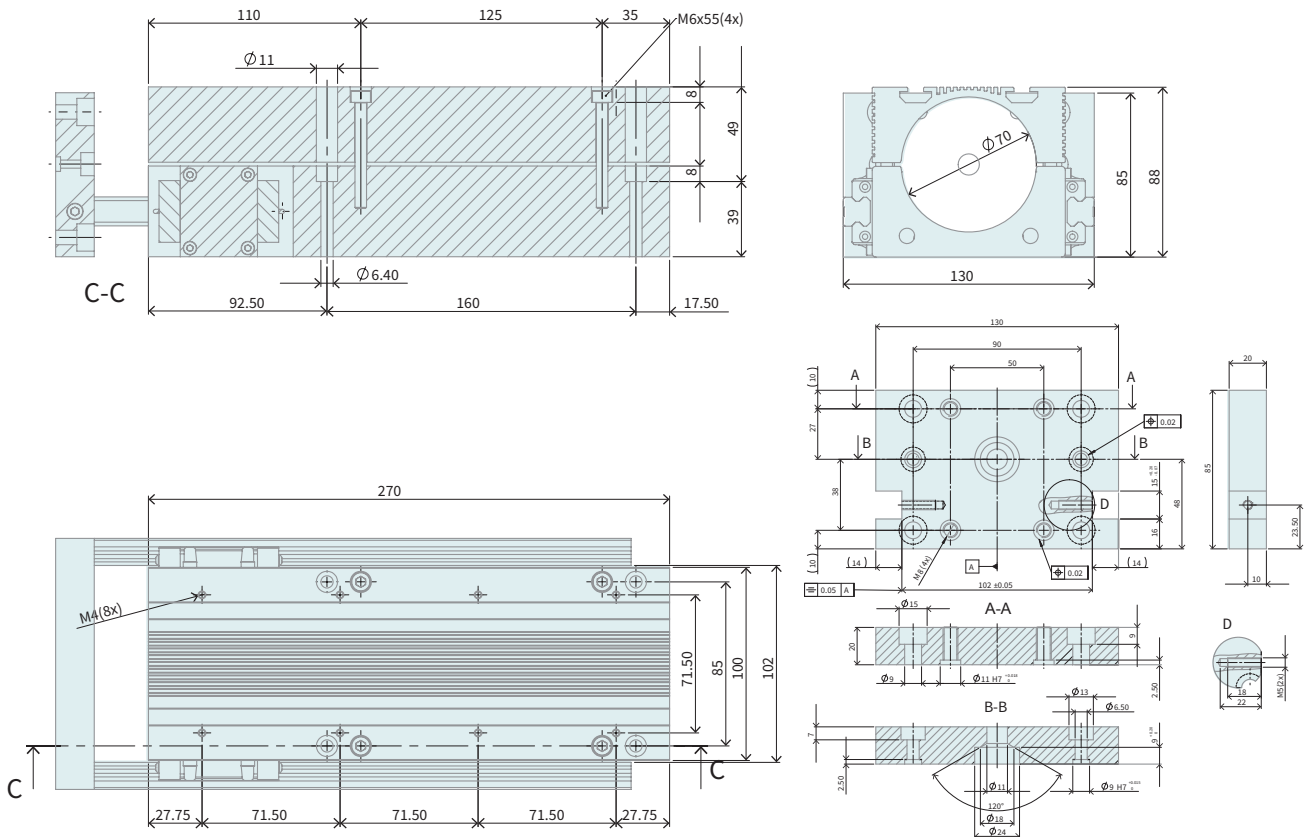
LINEAR MODULE HM10-70x240



Linear Module	Bearing type	Stroke H [mm (inch)]	Moving Parts L [mm (inch)]	Moving Mass ¹ [g (lb)]	Total Weight [g (lb)]
HM10-70x240/110	Ball Bearings	110 (4.33)	510 (20.05)	3550 (7.83)	12510 (27.58)
HM10-70x240/210	Ball Bearings	210 (8.27)	610 (24.02)	4310 (9.50)	13270 (29.26)
HM10-70x240/310	Ball Bearings	310 (12.20)	710 (27.95)	5070 (11.18)	14030 (30.93)
HM10-70x240/410	Ball Bearings	410 (16.41)	810 (31.89)	5830 (12.85)	14790 (32.60)
HM10-70x240/510	Ball Bearings	510 (20.08)	910 (35.83)	6590 (14.53)	15550 (34.28)

¹ Mass with moving slider

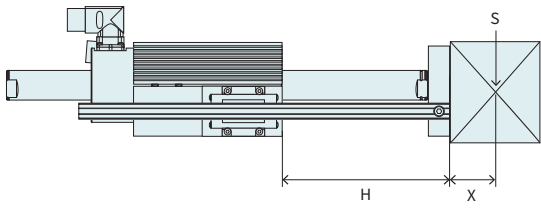
LINEAR GUIDES H10-70x240



Dimensions in mm

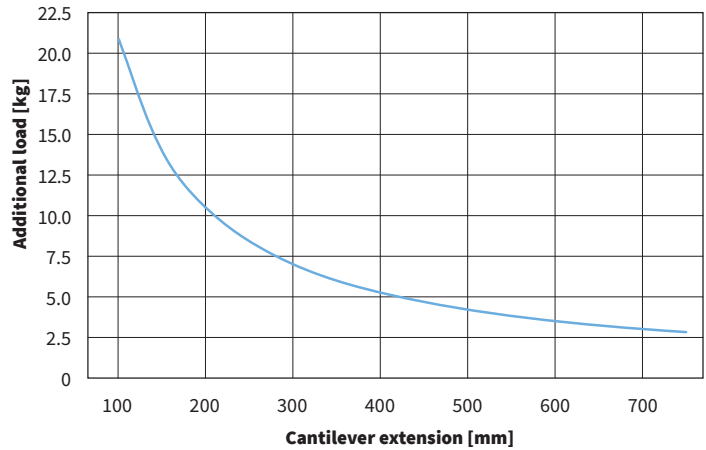
Materials	Guide Block & Front Plate	Guide Shaft	Bearing
H10-70x240/... Guiding carriage	Anodized Aluminum	Hardened Steel	Steel Ball Bearings

MAXIMUM LOAD WITH HM10-70x240



H = Stroke + Plate thickness
 X = Distance to center of gravity
 S = Center of gravity
 Cantilever extension = H + X

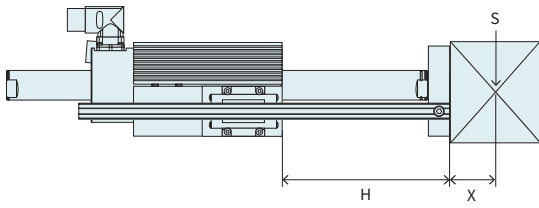
The maximum load depends on the cantilever extension (distance H plus distance X between the center of gravity of the working load and the mounting surface).



ORDERING INFORMATION

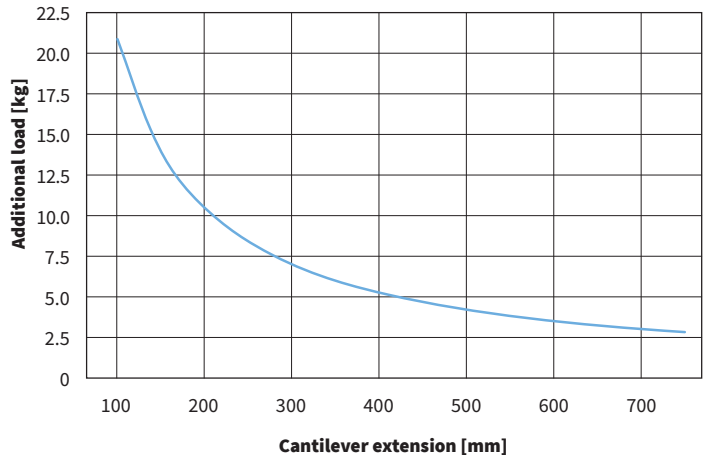
HM10-70x240/110	Linear Module 70x240 with 110 mm Stroke			
→	Linear Guide	H10-70x240/110	H-Guide for P10-70x240, 110 mm Stroke	0150-5185
→	Stator	PS10-70x240U-BL-QJ	Stator 3x400VAC, LinMot Encoder	0150-1293
		PS10-70x240U-BL-QJ-D01	Stator 3x400VAC, Sin/Cos Encoder 1Vpp, KTY	0150-2284
		PS10-70x240U-BL-QJ-D02	Stator 3x400VAC, Sin/Cos Encoder 1Vpp, PTC	0150-2362
		PS10-70x240U-BL-QJ-D03	Stator 3x400VAC, Sin/Cos 1Vpp, KTY on power connector	0150-2710
→	Slider	PL10-28x490/440	Slider for H10-70x240/110 'standard'	0150-2195
HM10-70x240/210	Linear Module 70x240 with 210 mm Stroke			
→	Linear Guide	H10-70x240/210	H-Guide for P10-70x240, 210 mm Stroke	0150-5400
→	Stator	PS10-70x240U-BL-QJ	Stator 3x400VAC, LinMot Encoder	0150-1293
		PS10-70x240U-BL-QJ-D01	Stator 3x400VAC, Sin/Cos Encoder 1Vpp, KTY	0150-2284
		PS10-70x240U-BL-QJ-D02	Stator 3x400VAC, Sin/Cos Encoder 1Vpp, PTC	0150-2362
		PS10-70x240U-BL-QJ-D03	Stator 3x400VAC, Sin/Cos 1Vpp, KTY on power connector	0150-2710
→	Slider	PL10-28x590/540	Slider for H10-70x240/210 'standard'	0150-2196
HM10-70x240/310	Linear Module 70x240 with 310 mm Stroke			
→	Linear Guide	H10-70x240/310	H-Guide for P10-70x240, 310 mm Stroke	0150-5401
→	Stator	PS10-70x240U-BL-QJ	Stator 3x400VAC, LinMot Encoder	0150-1293
		PS10-70x240U-BL-QJ-D01	Stator 3x400VAC, Sin/Cos Encoder 1Vpp, KTY	0150-2284
		PS10-70x240U-BL-QJ-D02	Stator 3x400VAC, Sin/Cos Encoder 1Vpp, PTC	0150-2362
		PS10-70x240U-BL-QJ-D03	Stator 3x400VAC, Sin/Cos 1Vpp, KTY on power connector	0150-2710
→	Slider	PL10-28x690/640	Slider for H10-70x240/310 'standard'	0150-2197
HM10-70x240/410	Linear Module 70x240 with 410 mm Stroke			
→	Linear Guide	H10-70x240/410	H-Guide for P10-70x240, 410 mm Stroke	0150-5402
→	Stator	PS10-70x240U-BL-QJ	Stator 3x400VAC, LinMot Encoder	0150-1293
		PS10-70x240U-BL-QJ-D01	Stator 3x400VAC, Sin/Cos Encoder 1Vpp, KTY	0150-2284
		PS10-70x240U-BL-QJ-D02	Stator 3x400VAC, Sin/Cos Encoder 1Vpp, PTC	0150-2362
		PS10-70x240U-BL-QJ-D03	Stator 3x400VAC, Sin/Cos 1Vpp, KTY on power connector	0150-2710
→	Slider	PL10-28x790/740	Slider for H10-70x240/410 'standard'	0150-2198
HM10-70x240/510	Linear Module 70x240 with 510 mm Stroke			
→	Linear Guide	H10-70x240/510	H-Guide for P10-70x240, 510 mm Stroke	0150-5403
→	Stator	PS10-70x240U-BL-QJ	Stator 3x400VAC, LinMot Encoder	0150-1293
		PS10-70x240U-BL-QJ-D01	Stator 3x400VAC, Sin/Cos Encoder 1Vpp, KTY	0150-2284
		PS10-70x240U-BL-QJ-D02	Stator 3x400VAC, Sin/Cos Encoder 1Vpp, PTC	0150-2362
		PS10-70x240U-BL-QJ-D03	Stator 3x400VAC, Sin/Cos 1Vpp, KTY on power connector	0150-2710
→	Slider	PL10-28x890/840	Slider for H10-70x240/510 'standard'	0150-2199
ACCESSORIES				
	Fan	HV01-37/48	Fan cooling for H01-37/48 & PF02-37/48	0150-5051

MAXIMUM LOAD WITH HM10-70x320



H = Stroke + Plate thickness
 X = Distance to center of gravity
 S = Center of gravity
 Cantilever extension = H + X

The maximum load depends on the cantilever extension (distance H plus distance X between the center of gravity of the working load and the mounting surface).

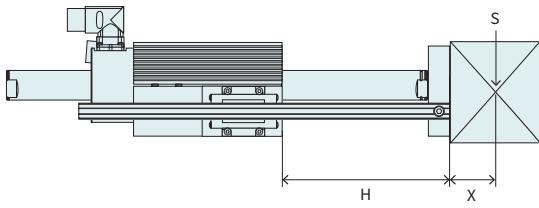


ORDERING INFORMATION

HM10-70x320/130	Linear Module 70x320 with 130 mm Stroke			
→	Linear Guide	H10-70x320/130	H-Guide for P10-70x320, 130 mm Stroke	0150-5414
→	Stator	PS10-70x320U-BL-QJ	Stator 3x400VAC, LinMot Encoder	0150-1284
		PS10-70x320U-BL-QJ-D01	Stator 3x400VAC, Sin/Cos Encoder 1Vpp, KTY	0150-2285
		PS10-70x320U-BL-QJ-D02	Stator 3x400VAC, Sin/Cos Encoder 1Vpp, PTC	0150-2343
		PS10-70x320U-BL-QJ-D03	Stator 3x400VAC, Sin/Cos 1Vpp, KTY on power connector	0150-2711
→	Slider	PL10-28x590/540	Slider for H10-70x320/130	0150-2196
HM10-70x320/230	Linear Module 70x320 with 230 mm Stroke			
→	Linear Guide	H10-70x320/230	H-Guide for P10-70x320, 230 mm Stroke	0150-5415
→	Stator	PS10-70x320U-BL-QJ	Stator 3x400VAC, LinMot Encoder	0150-1284
		PS10-70x320U-BL-QJ-D01	Stator 3x400VAC, Sin/Cos Encoder 1Vpp, KTY	0150-2285
		PS10-70x320U-BL-QJ-D02	Stator 3x400VAC, Sin/Cos Encoder 1Vpp, PTC	0150-2343
		PS10-70x320U-BL-QJ-D03	Stator 3x400VAC, Sin/Cos 1Vpp, KTY on power connector	0150-2711
→	Slider	PL10-28x690/640	Slider for H10-70x320/230 'standard'	0150-2197
HM10-70x320/330	Linear Module 70x320 with 330 mm Stroke			
→	Linear Guide	H10-70x320/330	H-Guide for P10-70x320, 330 mm Stroke	0150-5416
→	Stator	PS10-70x320U-BL-QJ	Stator 3x400VAC, LinMot Encoder	0150-1284
		PS10-70x320U-BL-QJ-D01	Stator 3x400VAC, Sin/Cos Encoder 1Vpp, KTY	0150-2285
		PS10-70x320U-BL-QJ-D02	Stator 3x400VAC, Sin/Cos Encoder 1Vpp, PTC	0150-2343
		PS10-70x320U-BL-QJ-D03	Stator 3x400VAC, Sin/Cos 1Vpp, KTY on power connector	0150-2711
→	Slider	PL10-28x790/740	Slider for H10-70x320/330 'standard'	0150-2198
HM10-70x320/430	Linear Module 70x320 with 430 mm Stroke			
→	Linear Guide	H10-70x320/430	H-Guide for P10-70x320, 430 mm Stroke	0150-5417
→	Stator	PS10-70x320U-BL-QJ	Stator 3x400VAC, LinMot Encoder	0150-1284
		PS10-70x320U-BL-QJ-D01	Stator 3x400VAC, Sin/Cos Encoder 1Vpp, KTY	0150-2285
		PS10-70x320U-BL-QJ-D02	Stator 3x400VAC, Sin/Cos Encoder 1Vpp, PTC	0150-2343
		PS10-70x320U-BL-QJ-D03	Stator 3x400VAC, Sin/Cos 1Vpp, KTY on power connector	0150-2711
→	Slider	PL10-28x890/840	Slider for H10-70x320/430 'standard'	0150-2199
HM10-70x320/530	Linear Module 70x320 with 530 mm Stroke			
→	Linear Guide	H10-70x320/530	H-Guide for P10-70x320, 530 mm Stroke	0150-5418
→	Stator	PS10-70x320U-BL-QJ	Stator 3x400VAC, LinMot Encoder	0150-1284
		PS10-70x320U-BL-QJ-D01	Stator 3x400VAC, Sin/Cos Encoder 1Vpp, KTY	0150-2285
		PS10-70x320U-BL-QJ-D02	Stator 3x400VAC, Sin/Cos Encoder 1Vpp, PTC	0150-2343
		PS10-70x320U-BL-QJ-D03	Stator 3x400VAC, Sin/Cos 1Vpp, KTY on power connector	0150-2711
→	Slider	PL10-28x990/940	Slider for H10-70x320/530 'standard'	0150-2203
ACCESSORIES				
	Fan	HV01-37/48	Fan cooling for H01-37/48 & PF02-37/48	0150-5051

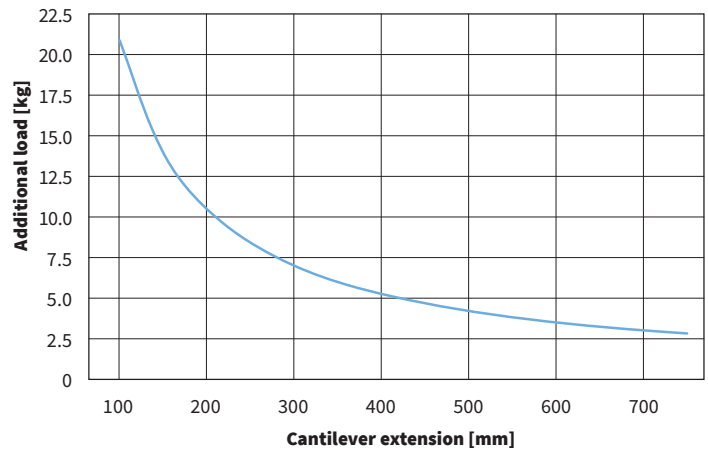
13

MAXIMUM LOAD WITH HM10-70x400



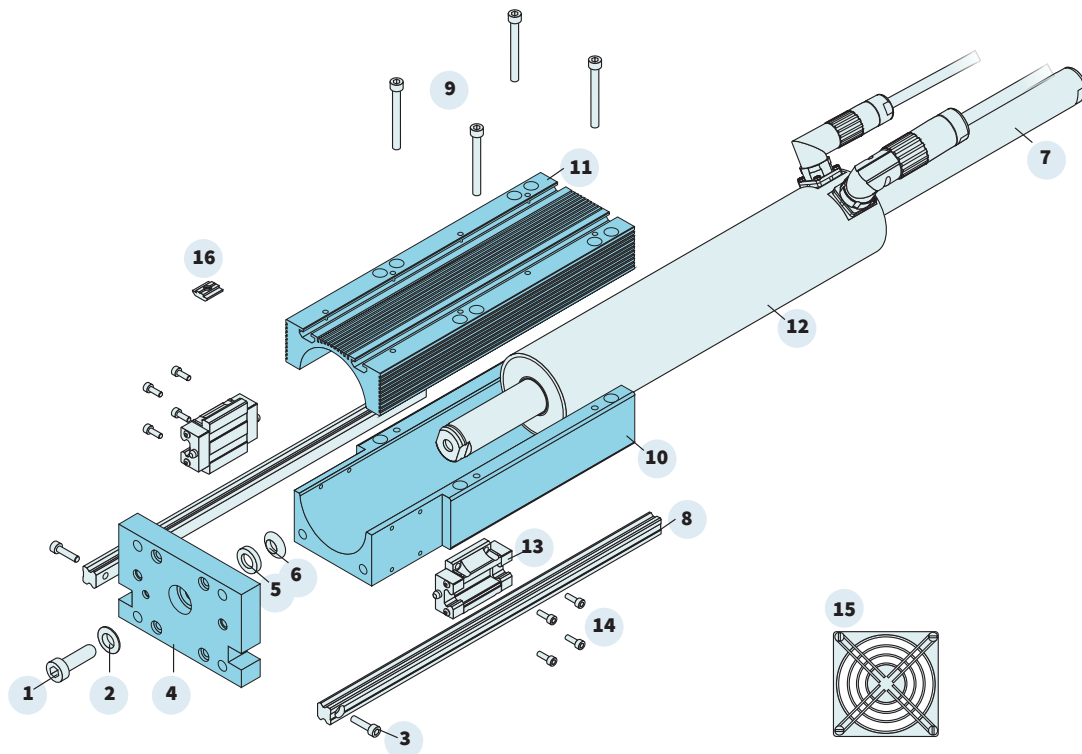
H = Stroke + Plate thickness
 X = Distance to center of gravity
 S = Center of gravity
 Cantilever extension = H + X

The maximum load depends on the cantilever extension (distance H plus distance X between the center of gravity of the working load and the mounting surface).



ORDERING INFORMATION

HM10-70x400/50	Linear Module 70x400 with 50 mm Stroke			
→	Linear Guide	H10-70x400/50	H-Guide for P10-70x400, 50 mm Stroke	0150-5419
→	Stator	PS10-70x400U-BL-QJ	Stator 3x400VAC, LinMot Encoder	0150-1294
		PS10-70x400U-BL-QJ-D01	Stator 3x400VAC, Sin/Cos Encoder 1Vpp, KTY	0150-2286
		PS10-70x400U-BL-QJ-D02	Stator 3x400VAC, Sin/Cos Encoder 1Vpp, PTC	0150-2363
		PS10-70x400U-BL-QJ-D03	Stator 3x400VAC, Sin/Cos 1Vpp, KTY on power connector	0150-2712
→	Slider	PL10-28x590/540	Slider for H10-70x400/50 'standard'	0150-2196
HM10-70x400/150	Linear Module 70x400 with 150 mm Stroke			
→	Linear Guide	H10-70x400/150	H-Guide for P10-70x400, 150 mm Stroke	0150-5420
→	Stator	PS10-70x400U-BL-QJ	Stator 3x400VAC, LinMot Encoder	0150-1294
		PS10-70x400U-BL-QJ-D01	Stator 3x400VAC, Sin/Cos Encoder 1Vpp, KTY	0150-2286
		PS10-70x400U-BL-QJ-D02	Stator 3x400VAC, Sin/Cos Encoder 1Vpp, PTC	0150-2363
		PS10-70x400U-BL-QJ-D03	Stator 3x400VAC, Sin/Cos 1Vpp, KTY on power connector	0150-2712
→	Slider	PL10-28x690/640	Slider for H10-70x400/150 'standard'	0150-2197
HM10-70x400/250	Linear Module 70x400 with 250 mm Stroke			
→	Linear Guide	H10-70x400/250	H-Guide for P10-70x400, 250 mm Stroke	0150-5421
→	Stator	PS10-70x400U-BL-QJ	Stator 3x400VAC, LinMot Encoder	0150-1294
		PS10-70x400U-BL-QJ-D01	Stator 3x400VAC, Sin/Cos Encoder 1Vpp, KTY	0150-2286
		PS10-70x400U-BL-QJ-D02	Stator 3x400VAC, Sin/Cos Encoder 1Vpp, PTC	0150-2363
		PS10-70x400U-BL-QJ-D03	Stator 3x400VAC, Sin/Cos 1Vpp, KTY on power connector	0150-2712
→	Slider	PL10-28x790/740	Slider for H10-70x400/250 'standard'	0150-2198
HM10-70x400/350	Linear Module 70x400 with 350 mm Stroke			
→	Linear Guide	H10-70x320/430	H-Guide for P10-70x400, 350 mm Stroke	0150-5422
→	Stator	PS10-70x400U-BL-QJ	Stator 3x400VAC, LinMot Encoder	0150-1294
		PS10-70x400U-BL-QJ-D01	Stator 3x400VAC, Sin/Cos Encoder 1Vpp, KTY	0150-2286
		PS10-70x400U-BL-QJ-D02	Stator 3x400VAC, Sin/Cos Encoder 1Vpp, PTC	0150-2363
		PS10-70x400U-BL-QJ-D03	Stator 3x400VAC, Sin/Cos 1Vpp, KTY on power connector	0150-2712
→	Slider	PL10-28x890/840	Slider for H10-70x320/430 'standard'	0150-2199
HM10-70x400/450	Linear Module 70x400 with 450 mm Stroke			
→	Linear Guide	H10-70x400/450	H-Guide for P10-70x400, 450 mm Stroke	0150-5423
→	Stator	PS10-70x400U-BL-QJ	Stator 3x400VAC, LinMot Encoder	0150-1294
		PS10-70x400U-BL-QJ-D01	Stator 3x400VAC, Sin/Cos Encoder 1Vpp, KTY	0150-2286
		PS10-70x400U-BL-QJ-D02	Stator 3x400VAC, Sin/Cos Encoder 1Vpp, PTC	0150-2363
		PS10-70x400U-BL-QJ-D03	Stator 3x400VAC, Sin/Cos 1Vpp, KTY on power connector	0150-2712
→	Slider	PL10-28x990/940	Slider for H10-70x320/530 'standard'	0150-2203
ACCESSORIES				
	Fan	HV01-37/48	Fan cooling for H01-37/48 & PF02-37/48	0150-5051



PARTS LIST

Linear Guide	H10-70x80		H10-70x160		H10-70x240		H10-70x320		H10-70x400	
1 Slider screw	0230-0181		0230-0181		0230-0181		0230-0181		0230-0181	
2 Socket washer (f)	0160-0807		0160-0807		0160-0807		0160-0807		0160-0807	
3 Rod screws	0230-0097		0230-0097		0230-0097		0230-0097		0230-0097	
4 Front plate	0150-5183		0150-5183		0150-5183		0150-5183		0150-5183	
5 Ball washer (r)	0160-0801		0160-0801		0160-0801		0160-0801		0160-0801	
6 Socket washer (r)	0160-0807		0160-0807		0160-0807		0160-0807		0160-0807	
7 Slider	PL10-28x...	Art.-Nr.	PL10-28x...	Art.-Nr.	PL10-28x...	Art.-Nr.	PL10-28x...	Art.-Nr.	PL10-28x...	Art.-Nr.
	...290/240	0150-2193	...390/340	0150-2194	...490/440	0150-2195	...590/540	0150-2196	...590/540	0150-2196
	...390/340	0150-2194	...490/440	0150-2195	...590/540	0150-2196	...690/640	0150-2197	...690/640	0150-2197
	...490/440	0150-2195	...590/540	0150-2196	...690/640	0150-2197	...790/740	0150-2198	...790/740	0150-2198
	...590/540	0150-2196	...690/640	0150-2197	...790/740	0150-2198	...890/840	0150-2199	...890/840	0150-2199
	...690/640	0150-2197	...790/740	0150-2198	...890/840	0150-2199	...990/940	0150-2203	...990/940	0150-2203
8 H-guide rod	HL10-15x...	Art.-Nr.	HL10-15x...	Art.-Nr.	HL10-15x...	Art.-Nr.	HL10-15x...	Art.-Nr.	HL10-15x...	Art.-Nr.
	250	0150-5182	250	0150-5182	250	0150-5182	250	0150-5182	250	0150-5182
	350	0150-5190	350	0150-5190	350	0150-5190	350	0150-5190	350	0150-5190
	450	0150-5191	450	0150-5191	450	0150-5191	450	0150-5191	450	0150-5191
	550	0150-5192	550	0150-5192	550	0150-5192	550	0150-5192	550	0150-5192
	650	0150-5193	650	0150-5193	650	0150-5193	650	0150-5193	650	0150-5193
9 Clamping screw	0230-0150		0230-0150		0230-0150		0230-0150		0230-0150	
10 Guide block bottom	0160-0919		0160-0923		0160-0915		0160-0927		0160-0931	
11 Guide block top	0160-0921		0160-0925		0160-0917		0160-0929		0160-0933	
12 Stator	PS10-70x80	Art.-Nr.	PS10-70x160	Art.-Nr.	PS10-70x240	Art.-Nr.	PS10-320x80	Art.-Nr.	PS10-320x80	Art.-Nr.
	..-BL-QJ	0150-1291	..-BL-QJ	0150-1292	..-BL-QJ	0150-1293	..-BL-QJ	0150-1284	..-BL-QJ	0150-1294
	..-BL-QJ-D01	0150-2282	..-BL-QJ-D01	0150-2283	..-BL-QJ-D01	0150-2284	..-BL-QJ-D01	0150-2285	..-BL-QJ-D01	0150-2286
	..-BL-QJ-D02	0150-2360	..-BL-QJ-D02	0150-2361	..-BL-QJ-D02	0150-2362	..-BL-QJ-D02	0150-2343	..-BL-QJ-D02	0150-2363
13 Profile rail guide	0150-5184		0150-5184		0150-5184		0150-5184		0150-5184	
14 Screws (Profile rail guide)	0230-0180		0230-0180		0230-0180		0230-0180		0230-0180	
Accessories										
15 Fan Set	0150-5051		0150-5051		0150-5051		0150-5051		0150-5051	
16 Sliding Block	0150-2559		0150-2559		0150-2559		0150-2559		0150-2559	