

FAN KITS HV01-M12



- ✓ 2 fan kits for all motor flanges
- ✓ Optimum heat dissipation
- ✓ Increases the effective force of the linear drives
- ✓ Simple installation on the existing flanges

Fan kits HV01-M12

LinMot offers fan kits that are very easy to install on existing motor flanges. There are currently two sizes in different performance classes.

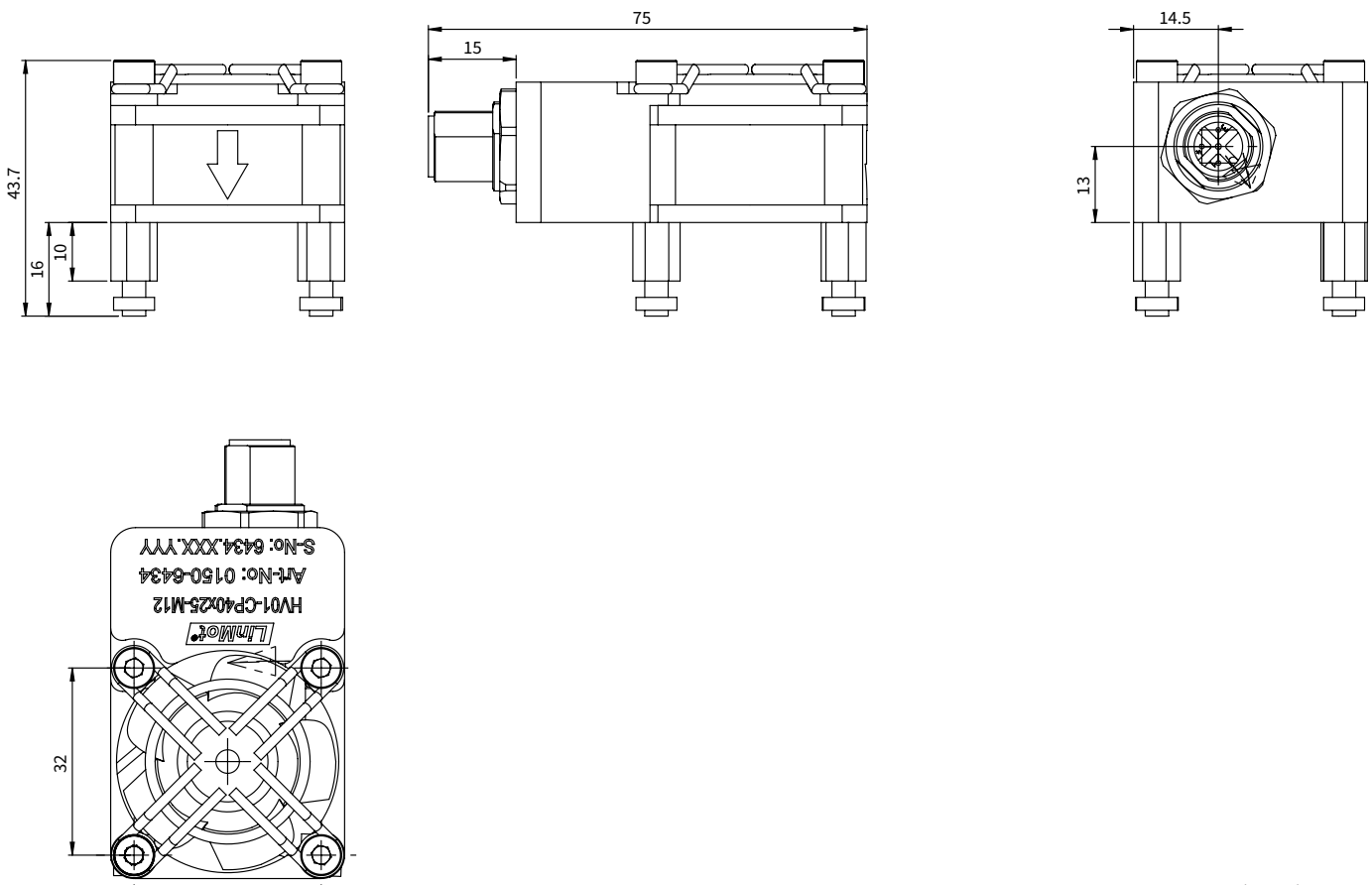
The mounted fans ensure optimum heat dissipation and can almost double the effective force of the linear motors. The integrated M12 connector offers an uncomplicated electrical connection without complex cabling.



TECHNICAL DATA

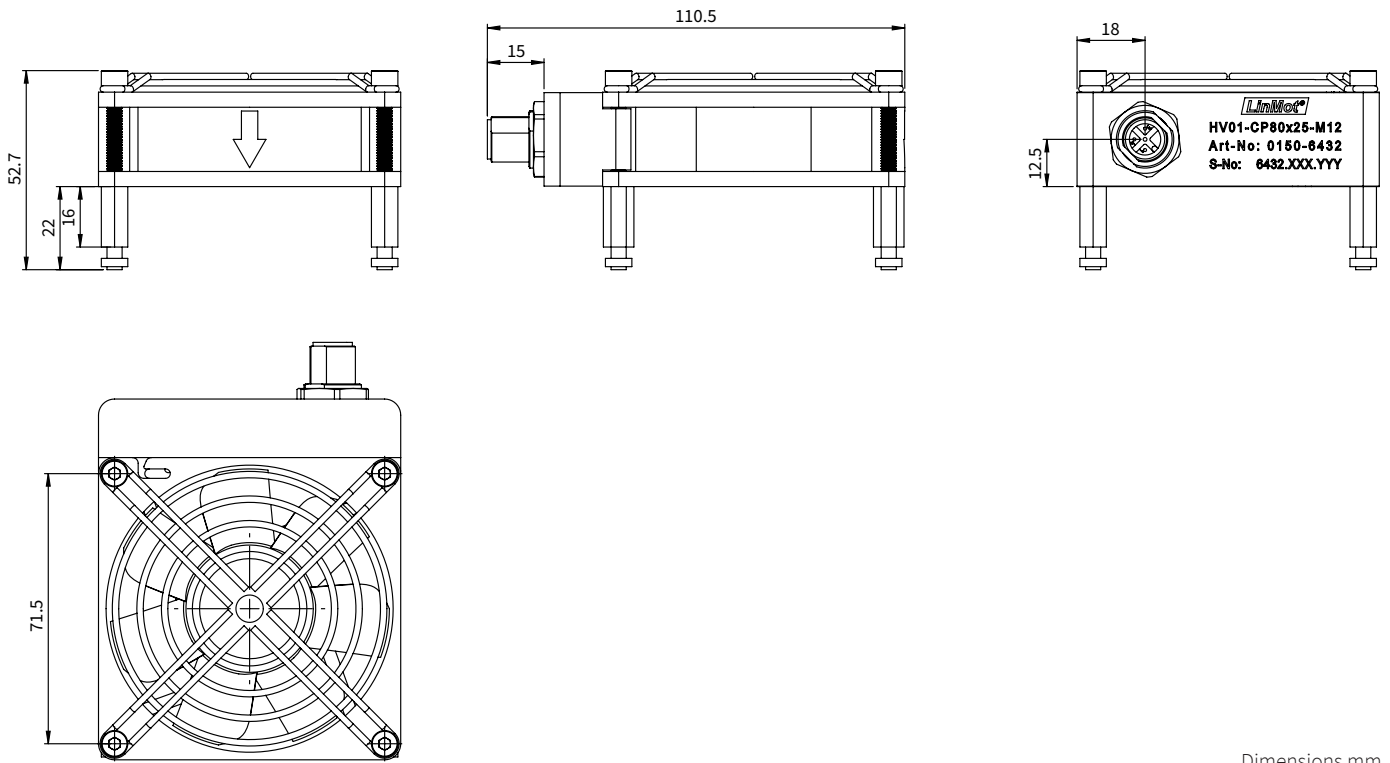
		HV01-CP40x20-M12	HV01-CP80x25-M12
Supply voltage	VDC	24	24
Current consumption	mA	70	120
Air flow	m³/h	15	80
Connection		M12-Connector (A-coded)	
Weight	g	106	198

DIMENSIONS HV01-CP40X20-M12



Dimensions mm

DIMENSIONS HV01-CP80X25-M12

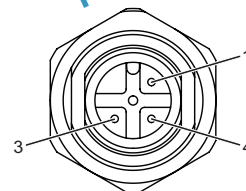


Dimensions mm

CONNECTOR

Connector wiring	M12-Connector (A-coded)
NC	1
GND	3
+24VDC	4

M12-Connector



View: Fan connector, plug side

ORDERING INFORMATION

Item	Description	Item-No.
HV01-CP40x20-M12	Fan kit with M12 connector	0150-6434
HV01-CP80x25-M12	Fan kit with M12 connector	0150-6432

ALL LINEAR MOTION FROM A SINGLE SOURCE

Europe / Asia Headquarters North / South America Headquarters

NTI AG - LinMot & MagSpring

Bodenaeckerstrasse 2
CH-8957 Spreitenbach
Switzerland

☎ +41 (0)56 419 91 91

☎ +41 (0)56 419 91 92

✉ office@linmot.com

🏠 www.linmot.com

LinMot USA, Inc.

N1922 State Road 120, Unit 1
Lake Geneva, WI 53147
United States

☎ 262-743-2555

✉ usasales@linmot.com

🏠 www.linmot.com