

# LINEAR MOTORS P01-48x150G-HP



- ✓ Highly dynamic drives
- ✓ Higher permissible operating temperatures
- ✓ Maximum power density
- ✓ 25 Functional Safety variant available
- ✓ Wide stroke range
- ✓ Extensive range of accessories
- ✓ Dynamics and flexibility for handling, plant and machine construction

## **LINEAR MOTORS P01-48x150G-HP**

<b>Technical Data</b>	<b>3</b>
<b>Motor Specifications</b>	
P01-48x150G/60x100-HP	<b>6</b>
P01-48x150G/90x130-HP	<b>7</b>
P01-48x150G/150x190-HP	<b>8</b>
P01-48x150G/210x250-HP	<b>9</b>
P01-48x150G/300x340-HP	<b>10</b>
P01-48x150G/420x460-HP	<b>11</b>
P01-48x150G/510x550-HP	<b>12</b>
P01-48x150G/600x640-HP	<b>13</b>
P01-48x150G/720x760-HP	<b>14</b>
P01-48x150G/810x850-HP	<b>15</b>
P01-48x150G/1020x1060-HP	<b>16</b>
P01-48x150G/1200x1240-HP	<b>17</b>
P01-48x150G/1410x1450-HP	<b>18</b>
P01-48x150G/1620x1660-HP	<b>19</b>
P01-48x150G/1800x1840-HP	<b>20</b>
<b>Accessories</b>	<b>21</b>

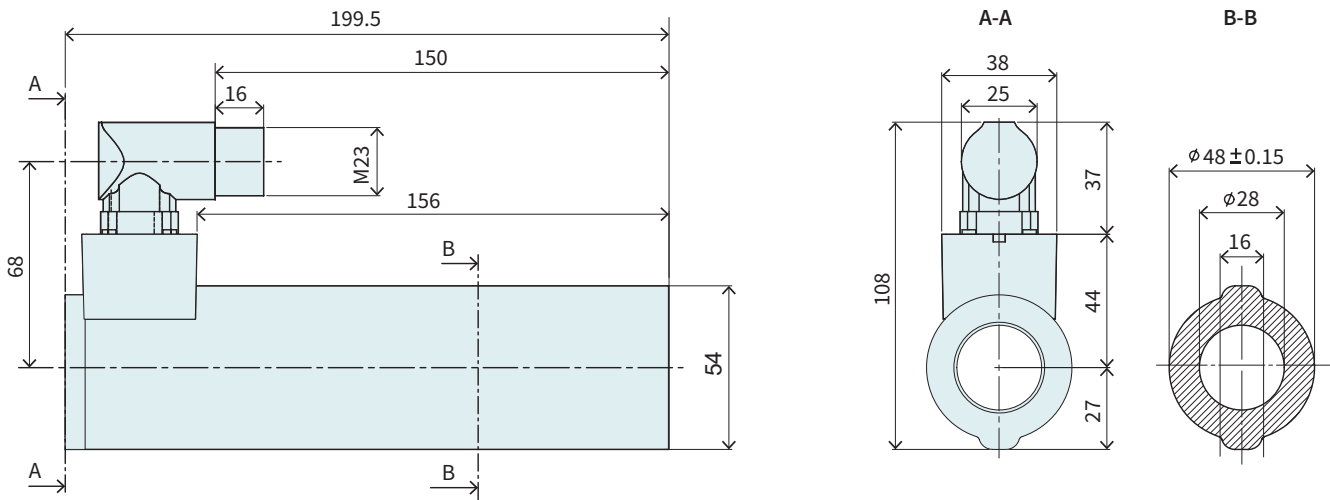


### MOTOR FAMILY P01-48x150G-HP



Technical Data				
<b>Stroke</b>				
Standard Stroke (SS)	mm	(in)	≤ 1800	(≤ 70.9)
Extended Stroke (ES)	mm	(in)	≤ 1840	(≤ 72.4)
<b>Force</b>				
Max. Force @ 48VDC	N	(lbf)	360	(80.9)
Max. Force @ 72VDC	N	(lbf)	360	(80.9)
Max. Cont. Force [Passive cooling/ Fan / Fluid]	N	(lbf)	100 / 180 / -	(23 / 40 / -)
Max. Border Force relative	%		83 / 90	
Force Constant	N/A <sub>pk</sub>	(lbf/A <sub>pk</sub> )	15.65	(3.51)
<b>Velocity</b>				
Max. Velocity @ 48VDC	m/s	(in/s)	2.7	(109.9)
Max. Velocity @ 72VDC	m/s	(in/s)	4.1	(169.9)
<b>Position Detection</b>				
Position Resolution	mm	(in)	0.007	(0.0003)
Repeatability	mm	(in)	±0.05	(±0.002)
Position Resolution with ES	mm	(in)	0.001	(0.00004)
Repeatability with ES	mm	(in)	±0.01	(±0.0004)
Linearity with ES	mm	(in)	±0.01	(±0.0004)
<b>Electrical Data</b>				
Max. Current @ 48VDC	A <sub>pk</sub>		23.0	
Max. Current @ 72VDC	A <sub>pk</sub>		23.0	
Max. Cont. Current [Passive cooling / Fan / Fluid]	A <sub>pk</sub>		6.7 / 11 / -	
Terminal Resistance 25 °C / 120 °C	Ohm		0.81 / 1.2	
Terminal Inductivity	mH		0.7	
Magnetic Period	mm	(in)	60	(2.35)
<b>Thermal Data</b>				
Max. Winding Temperature (Sensor)	°C		120	
Thermal Resistance [Passive cooling / Fan / Fluid]	°K/W		1.5 / 0.51 / -	
Thermal Time Constant [Passive cooling / Fan / Fluid]	s		970 / 330 / -	
<b>Mechanical Data</b>				
Stator Diameter	mm	(in)	48	(1.9)
Stator Length [Connector type / Cable type]	mm	(in)	199.5	(7.9)
Stator Mass	g	(lb)	1220	(2.7)
Slider Diameter	mm	(in)	28	(1.1)
Slider Length	mm	(in)	260 - 2000	(10 - 79)
Slider Mass	g	(lb)	1150 - 9250	(2.5 - 20)
IP Code			IP 65	
<b>Certification</b>				
cURus	File-No.		E354430	

**STATOR**

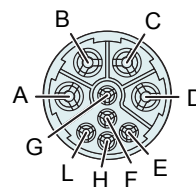


Item	Description	Item-No.
<b>PS01-48x150G-HP-C</b>	Stator HP with IP67 Connector M23/9(m)	<a href="#">0150-2992</a>
<b>PS01-48x150G-HP-C-2S</b>	Stator HP with IP67 Connector M23/9(m) - 2S	<a href="#">0150-22992</a>

**CONNECTOR**

Motor Connector Wiring	C-Connector	Wire color motor cable
Ph 1+	A	red
Ph 1-	B	pink
Ph 2+	C	blue
Ph 2-	D	grey
+5VDC	E	white
GND	F	inner shield
Sin	G	yellow
Cos	H	green
Temp.	L	black
Shield	Housing	outer shield

**C-Connector**

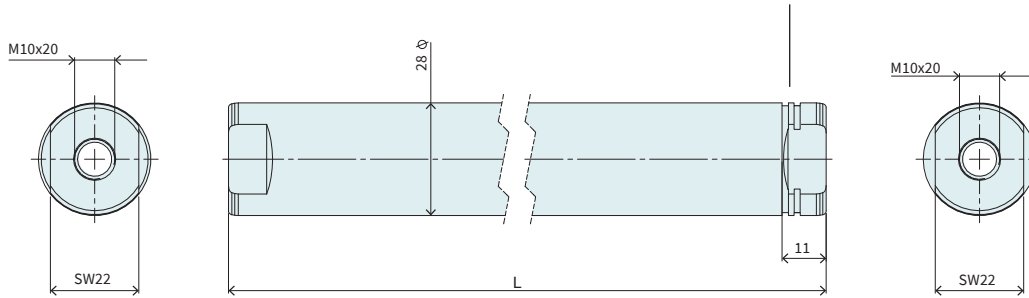


View: Motor Connector, plug side

**SLIDER**

**Slider HP**

Number of grooves determines the slider type (see chapter 2 / slider) and marks the front end.

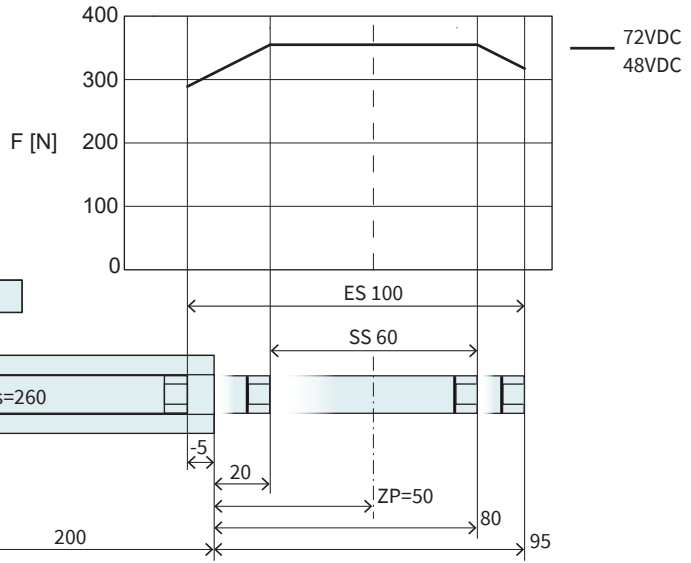


Slider High Performance				
Item	Description	Max. Stroke [mm]	Standard Stroke [mm]	Item-No.
PL01-28x260/210-HP	Slider 'High Performance'	100	60	<a href="#">0150-3861</a>
PL01-28x290/240-HP	Slider 'High Performance'	130	90	<a href="#">0150-3862</a>
PL01-28x350/300-HP	Slider 'High Performance'	190	150	<a href="#">0150-3820</a>
PL01-28x410/360-HP	Slider 'High Performance'	250	210	<a href="#">0150-3821</a>
PL01-28x500/450-HP	Slider 'High Performance'	340	300	<a href="#">0150-3822</a>
PL01-28x620/570-HP	Slider 'High Performance'	460	420	<a href="#">0150-3823</a>
PL01-28x710/660-HP	Slider 'High Performance'	550	510	<a href="#">0150-3824</a>
PL01-28x800/750-HP	Slider 'High Performance'	640	600	<a href="#">0150-3825</a>
PL01-28x920/870-HP	Slider 'High Performance'	760	720	<a href="#">0150-3878</a>
PL01-28x1010/960-HP	Slider 'High Performance'	850	810	<a href="#">0150-3827</a>
PL01-28x1220/1170-HP	Slider 'High Performance'	1060	1020	<a href="#">0150-3828</a>
PL01-28x1400/1350-HP	Slider 'High Performance'	1240	1200	<a href="#">0150-3829</a>
PL01-28x1610/1560-HP	Slider 'High Performance'	1450	1410	<a href="#">0150-3830</a>
PL01-28x1820/1770-HP	Slider 'High Performance'	1660	1620	<a href="#">0150-3831</a>
PL01-28x2000/1950-HP	Slider 'High Performance'	1840	1800	<a href="#">0150-3832</a>

Slider High Performance 2S				
Item	Description	Max. Stroke [mm]	Standard Stroke [mm]	Item-No.
PL01-28x260/210-HP-2S	Slider 'High Performance' - Safety	100	60	<a href="#">0150-23861</a>
PL01-28x290/240-HP-2S	Slider 'High Performance' - Safety	130	90	<a href="#">0150-23862</a>
PL01-28x350/300-HP-2S	Slider 'High Performance' - Safety	210	60	<a href="#">0150-23820</a>
PL01-28x410/360-HP-2S	Slider 'High Performance' - Safety	270	120	<a href="#">0150-23821</a>
PL01-28x500/450-HP-2S	Slider 'High Performance' - Safety	360	210	<a href="#">0150-23822</a>
PL01-28x620/570-HP-2S	Slider 'High Performance' - Safety	480	330	<a href="#">0150-23823</a>
PL01-28x710/660-HP-2S	Slider 'High Performance' - Safety	570	420	<a href="#">0150-23824</a>
PL01-28x800/750-HP-2S	Slider 'High Performance' - Safety	660	510	<a href="#">0150-23825</a>
PL01-28x920/870-HP-2S	Slider 'High Performance' - Safety	780	630	<a href="#">0150-23878</a>
PL01-28x1010/960-HP-2S	Slider 'High Performance' - Safety	870	720	<a href="#">0150-23827</a>
PL01-28x1220/1170-HP-2S	Slider 'High Performance' - Safety	1080	930	<a href="#">0150-23828</a>
PL01-28x1400/1350-HP-2S	Slider 'High Performance' - Safety	1240	1200	<a href="#">0150-23829</a>
PL01-28x1610/1560-HP-2S	Slider 'High Performance' - Safety	1450	1410	<a href="#">0150-23830</a>
PL01-28x1820/1770-HP-2S	Slider 'High Performance' - Safety	1660	1620	<a href="#">0150-23831</a>
PL01-28x2000/1950-HP-2S	Slider 'High Performance' - Safety	1840	1800	<a href="#">0150-23832</a>

**P01-48x150G/60x100-HP**

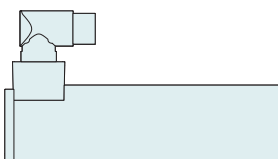
**Max. Stroke:** 100 mm  
**Peak Force:** 360 N



Dimensions in mm

Technical Data P01-48x150G/60x100-HP

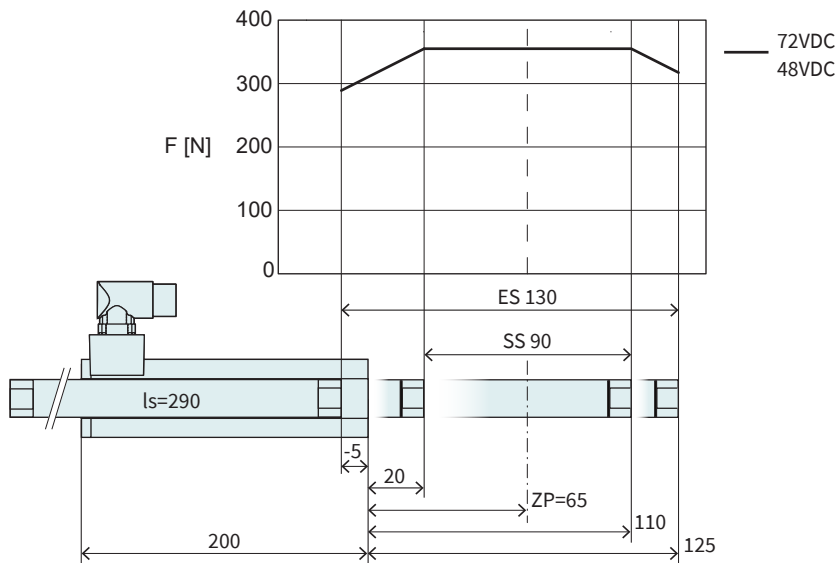
Stroke			
Standard Stroke (SS)	mm	(in)	60 (2.35)
Extended Stroke (ES)	mm	(in)	100 (3.94)
Force			
Max. Force @ 48VDC	N	(lbf)	360 (80.9)
Max. Force @ 72VDC	N	(lbf)	360 (80.9)
Max. Cont. Force [Passive cooling / Fan / Fluid]	N	(lbf)	100 / 180 / - (23 / 40 / -)
Max. Border Force relative	%		83 / 90
Force Constant	N/A <sub>pk</sub>	(lbf/A <sub>pk</sub> )	15.65 (3.51)
Velocity			
Max. Velocity @ 48VDC	m/s	(in/s)	2.7 (109.9)
Max. Velocity @ 72VDC	m/s	(in/s)	4.1 (169.9)
Position Detection			
Repeatability	mm	(in)	±0.05 (±0.002)
Linearity	%		± 0.7
Electrical Data			
Max. Current @ 48VDC	A <sub>pk</sub>		23.0
Max. Current @ 72VDC	A <sub>pk</sub>		23.0
Max. Cont. Current [Passive cooling / Fan / Fluid]	A <sub>pk</sub>		6.7 / 11 / -
Thermal Data			
Max. Winding Temperature (Sensor)	°C		120
Thermal Resistance [Passive cooling / Fan / Fluid]	°K/W		1.5 / 0.51 / -
Thermal Time Constant [Passive cooling / Fan / Fluid]	s		970 / 330 / -
Mechanical Data			
Slider Length	mm	(in)	260 (10)
Slider Mass	g	(lb)	1150 (2.5)



Item	Description	Item-No.
<b>PS01-48x150G-HP-C</b>	Stator HP with IP67 Connector M23/9(m)	<a href="#">0150-2992</a>
<b>PS01-48x150G-HP-C-2S</b>	Stator HP with IP67 Connector M23/9(m) - Safety	<a href="#">0150-22992</a>
<b>PL01-28x260/210-HP</b>	Slider 'High Performance'	<a href="#">0150-3861</a>
<b>PL01-28x260/210-HP-2S</b>	Slider 'High Performance' - Safety	<a href="#">0150-23861</a>

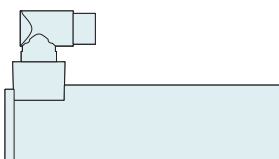
**P01-48x150G/90x130-HP**

**Max. Stroke:** 130 mm  
**Peak Force:** 360 N



Dimensions in mm

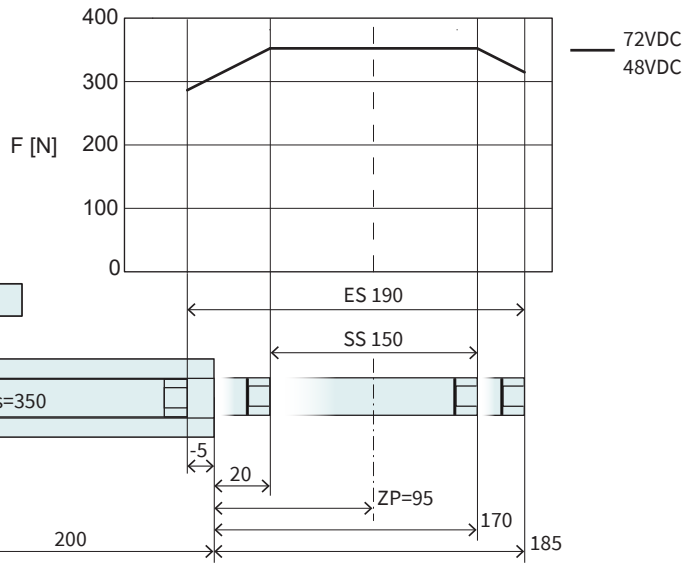
Technical Data P01-48x150G/90x130-HP			
<b>Stroke</b>			
Standard Stroke (SS)	mm (in)		90 (3.53)
Extended Stroke (ES)	mm (in)		130 (5.12)
<b>Force</b>			
Max. Force @ 48VDC	N (lbf)		360 (80.9)
Max. Force @ 72VDC	N (lbf)		360 (80.9)
Max. Cont. Force [Passive cooling / Fan / Fluid]	N (lbf)		100 / 180 / - (23 / 40 / -)
Max. Border Force relative	%		83 / 90
Force Constant	N/A <sub>pk</sub> (lbf/A <sub>pk</sub> )		15.65 (3.51)
<b>Velocity</b>			
Max. Velocity @ 48VDC	m/s (in/s)		2.7 (109.9)
Max. Velocity @ 72VDC	m/s (in/s)		4.1 (169.9)
<b>Position Detection</b>			
Repeatability	mm (in)		±0.05 (±0.002)
Linearity	%		± 0.6
<b>Electrical Data</b>			
Max. Current @ 48VDC	A <sub>pk</sub>		23.0
Max. Current @ 72VDC	A <sub>pk</sub>		23.0
Max. Cont. Current [Passive cooling / Fan / Fluid]	A <sub>pk</sub>		6.7 / 11 / -
<b>Thermal Data</b>			
Max. Winding Temperature (Sensor)	°C		120
Thermal Resistance [Passive cooling / Fan / Fluid]	°K/W		1.5 / 0.51 / -
Thermal Time Constant [Passive cooling / Fan / Fluid]	s		970 / 330 / -
<b>Mechanical Data</b>			
Slider Length	mm (in)		290 (11)
Slider Mass	g (lb)		1290 (2.8)



Item	Description	Item-No.
<b>PS01-48x150G-HP-C</b>	Stator HP with IP67 Connector M23/9(m)	<a href="#">0150-2992</a>
<b>PS01-48x150G-HP-C-2S</b>	Stator HP with IP67 Connector M23/9(m) - Safety	<a href="#">0150-22992</a>
<b>PL01-28x290/240-HP</b>	Slider 'High Performance'	<a href="#">0150-3862</a>
<b>PL01-28x290/240-HP-2S</b>	Slider 'High Performance' - Safety	<a href="#">0150-23862</a>

**P01-48x150G/150x190-HP**

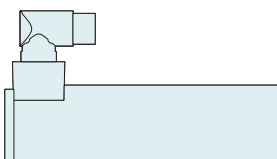
**Max. Stroke:** 190 mm  
**Peak Force:** 360 N



Dimensions in mm

Technical Data P01-48x150G/150x190-HP

Stroke			
Standard Stroke (SS)	mm	(in)	150 (5.91)
Extended Stroke (ES)	mm	(in)	190 (7.48)
Force			
Max. Force @ 48VDC	N	(lbf)	360 (80.9)
Max. Force @ 72VDC	N	(lbf)	360 (80.9)
Max. Cont. Force [Passive cooling / Fan / Fluid]	N	(lbf)	100 / 180 / - (23 / 40 / -)
Max. Border Force relative	%		83 / 90
Force Constant	N/A <sub>pk</sub>	(lbf/A <sub>pk</sub> )	15.65 (3.51)
Velocity			
Max. Velocity @ 48VDC	m/s	(in/s)	2.7 (109.9)
Max. Velocity @ 72VDC	m/s	(in/s)	4.1 (169.9)
Position Detection			
Repeatability	mm	(in)	±0.05 (±0.002)
Linearity	%		± 0.45
Electrical Data			
Max. Current @ 48VDC	A <sub>pk</sub>		23.0
Max. Current @ 72VDC	A <sub>pk</sub>		23.0
Max. Cont. Current [Passive cooling / Fan / Fluid]	A <sub>pk</sub>		6.7 / 11 / -
Thermal Data			
Max. Winding Temperature (Sensor)	°C		120
Thermal Resistance [Passive cooling / Fan / Fluid]	°K/W		1.5 / 0.51 / -
Thermal Time Constant [Passive cooling / Fan / Fluid]	s		970 / 330 / -
Mechanical Data			
Slider Length	mm	(in)	350 (14)
Slider Mass	g	(lb)	1570 (3.5)

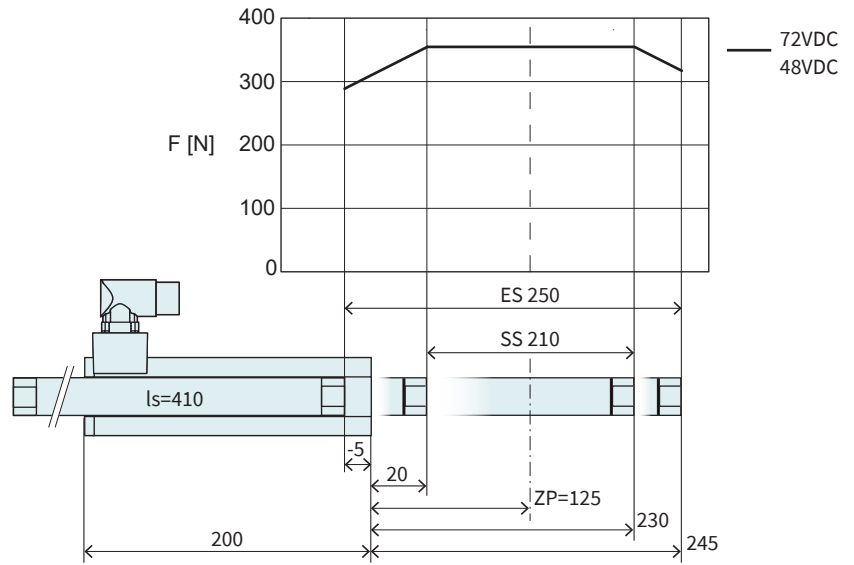


Item	Description	Item-No.
<b>PS01-48x150G-HP-C</b>	Stator HP with IP67 Connector M23/9(m)	<a href="#">0150-2992</a>
<b>PS01-48x150G-HP-C-2S</b>	Stator HP with IP67 Connector M23/9(m) - Safety	<a href="#">0150-22992</a>
<b>PL01-28x350/300-HP</b>	Slider 'High Performance'	<a href="#">0150-3820</a>
<b>PL01-28x350/300-HP-2S</b>	Slider 'High Performance' - Safety	<a href="#">0150-23820</a>



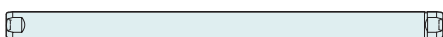
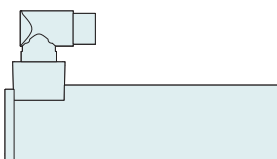
**P01-48x150G/210x250-HP**

**Max. Stroke:** 250 mm  
**Peak Force:** 360 N



Dimensions in mm

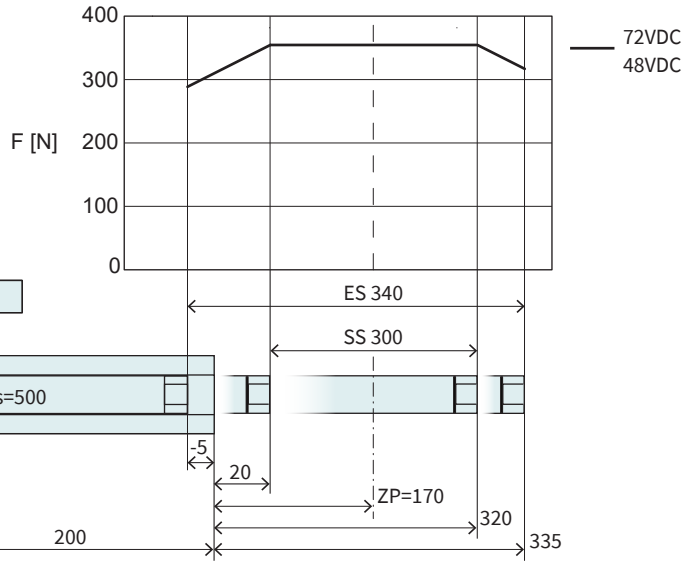
Technical Data P01-48x150G/210x250-HP				
<b>Stroke</b>				
Standard Stroke (SS)	mm (in)		210 (8.26)	
Extended Stroke (ES)	mm (in)		250 (9.84)	
<b>Force</b>				
Max. Force @ 48VDC	N (lbf)		360 (80.9)	
Max. Force @ 72VDC	N (lbf)		360 (80.9)	
Max. Cont. Force [Passive cooling / Fan / Fluid]	N (lbf)		100 / 180 / - (23 / 40 / -)	
Max. Border Force relative	%		83 / 90	
Force Constant	N/A <sub>pk</sub> (lbf/A <sub>pk</sub> )		15.65 (3.51)	
<b>Velocity</b>				
Max. Velocity @ 48VDC	m/s (in/s)		2.7 (109.9)	
Max. Velocity @ 72VDC	m/s (in/s)		4.1 (169.9)	
<b>Position Detection</b>				
Repeatability	mm (in)		±0.05 (±0.002)	
Linearity	%		± 0.4	
<b>Electrical Data</b>				
Max. Current @ 48VDC	A <sub>pk</sub>		23.0	
Max. Current @ 72VDC	A <sub>pk</sub>		23.0	
Max. Cont. Current [Passive cooling / Fan / Fluid]	A <sub>pk</sub>		6.7 / 11 / -	
<b>Thermal Data</b>				
Max. Winding Temperature (Sensor)	°C		120	
Thermal Resistance [Passive cooling / Fan / Fluid]	°K/W		1.5 / 0.51 / -	
Thermal Time Constant [Passive cooling / Fan / Fluid]	s		970 / 330 / -	
<b>Mechanical Data</b>				
Slider Length	mm (in)		410 (16)	
Slider Mass	g (lb)		1850 (4.1)	



Item	Description	Item-No.
<b>PS01-48x150G-HP-C</b>	Stator HP with IP67 Connector M23/9(m)	<a href="#">0150-2992</a>
<b>PS01-48x150G-HP-C-2S</b>	Stator HP with IP67 Connector M23/9(m) - Safety	<a href="#">0150-22992</a>
<b>PL01-28x410/360-HP</b>	Slider 'High Performance'	<a href="#">0150-3821</a>
<b>PL01-28x410/360-HP-2S</b>	Slider 'High Performance' - Safety	<a href="#">0150-23821</a>

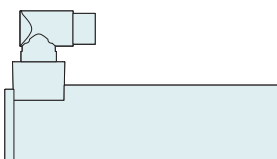
**P01-48x150G/300x340-HP**

**Max. Stroke:** 340 mm  
**Peak Force:** 360 N



Technical Data P01-48x150G/300x340-HP

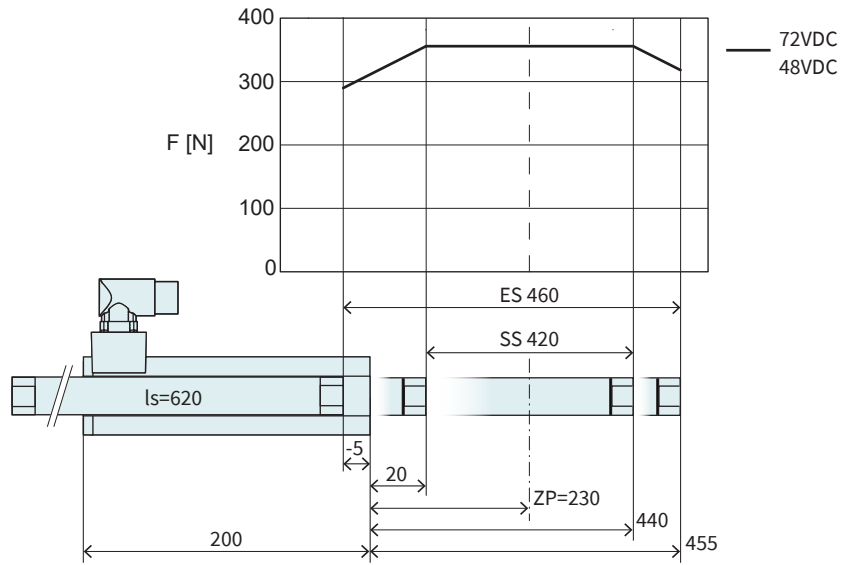
Stroke			
Standard Stroke (SS)	mm (in)		300 (11.8)
Extended Stroke (ES)	mm (in)		340 (13.39)
Force			
Max. Force @ 48VDC	N (lbf)		360 (80.9)
Max. Force @ 72VDC	N (lbf)		360 (80.9)
Max. Cont. Force [Passive cooling / Fan / Fluid]	N (lbf)		100 / 180 / - (23 / 40 / -)
Max. Border Force relative	%		83 / 90
Force Constant	N/A <sub>pk</sub> (lbf/A <sub>pk</sub> )		15.65 (3.51)
Velocity			
Max. Velocity @ 48VDC	m/s (in/s)		2.7 (109.9)
Max. Velocity @ 72VDC	m/s (in/s)		4.1 (169.9)
Position Detection			
Repeatability	mm (in)		±0.05 (±0.002)
Linearity	%		± 0.3
Electrical Data			
Max. Current @ 48VDC	A <sub>pk</sub>		23.0
Max. Current @ 72VDC	A <sub>pk</sub>		23.0
Max. Cont. Current [Passive cooling / Fan / Fluid]	A <sub>pk</sub>		6.7 / 11 / -
Thermal Data			
Max. Winding Temperature (Sensor)	°C		120
Thermal Resistance [Passive cooling / Fan / Fluid]	°K/W		1.5 / 0.51 / -
Thermal Time Constant [Passive cooling / Fan / Fluid]	s		970 / 330 / -
Mechanical Data			
Slider Length	mm (in)		500 (20)
Slider Mass	g (lb)		2270 (5)



Item	Description	Item-No.
<b>PS01-48x150G-HP-C</b>	Stator HP with IP67 Connector M23/9(m)	<a href="#">0150-2992</a>
<b>PS01-48x150G-HP-C-2S</b>	Stator HP with IP67 Connector M23/9(m) - Safety	<a href="#">0150-22992</a>
<b>PL01-28x500/450-HP</b>	Slider 'High Performance'	<a href="#">0150-3822</a>
<b>PL01-28x500/450-HP-2S</b>	Slider 'High Performance' - Safety	<a href="#">0150-23822</a>

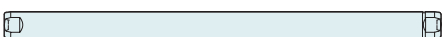
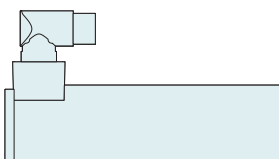
**P01-48x150G/420x460-HP**

**Max. Stroke:** 460 mm  
**Peak Force:** 360 N



Dimensions in mm

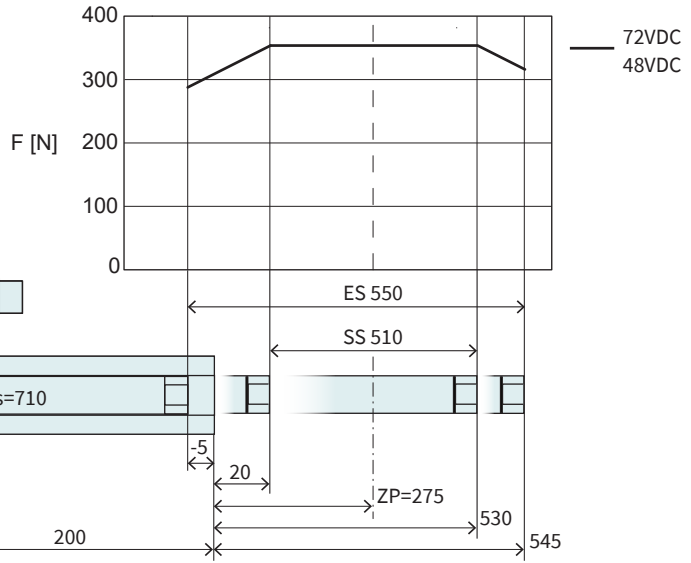
Technical Data P01-48x150G/420x460-HP				
<b>Stroke</b>				
Standard Stroke (SS)	mm (in)		420 (16.49)	
Extended Stroke (ES)	mm (in)		460 (18.11)	
<b>Force</b>				
Max. Force @ 48VDC	N (lbf)		360 (80.9)	
Max. Force @ 72VDC	N (lbf)		360 (80.9)	
Max. Cont. Force [Passive cooling / Fan / Fluid]	N (lbf)		100 / 180 / - (23 / 40 / -)	
Max. Border Force relative	%		83 / 90	
Force Constant	N/A <sub>pk</sub> (lbf/A <sub>pk</sub> )		15.65 (3.51)	
<b>Velocity</b>				
Max. Velocity @ 48VDC	m/s (in/s)		2.7 (109.9)	
Max. Velocity @ 72VDC	m/s (in/s)		4.1 (169.9)	
<b>Position Detection</b>				
Repeatability	mm (in)		±0.05 (±0.002)	
Linearity	%		± 0.25	
<b>Electrical Data</b>				
Max. Current @ 48VDC	A <sub>pk</sub>		23.0	
Max. Current @ 72VDC	A <sub>pk</sub>		23.0	
Max. Cont. Current [Passive cooling / Fan / Fluid]	A <sub>pk</sub>		6.7 / 11 / -	
<b>Thermal Data</b>				
Max. Winding Temperature (Sensor)	°C		120	
Thermal Resistance [Passive cooling / Fan / Fluid]	°K/W		1.5 / 0.51 / -	
Thermal Time Constant [Passive cooling / Fan / Fluid]	s		970 / 330 / -	
<b>Mechanical Data</b>				
Slider Length	mm (in)		620 (24)	
Slider Mass	g (lb)		2830 (6.2)	



Item	Description	Item-No.
<b>PS01-48x150G-HP-C</b>	Stator HP with IP67 Connector M23/9(m)	<a href="#">0150-2992</a>
<b>PS01-48x150G-HP-C-2S</b>	Stator HP with IP67 Connector M23/9(m) - Safety	<a href="#">0150-22992</a>
<b>PL01-28x620/570-HP</b>	Slider 'High Performance'	<a href="#">0150-3823</a>
<b>PL01-28x620/570-HP-2S</b>	Slider 'High Performance' - Safety	<a href="#">0150-23823</a>

**P01-48x150G/510x550-HP**

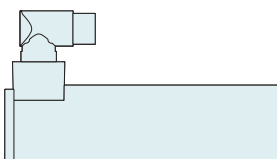
**Max. Stroke:** 550 mm  
**Peak Force:** 360 N



Dimensions in mm

Technical Data P01-48x150G/510x550-HP

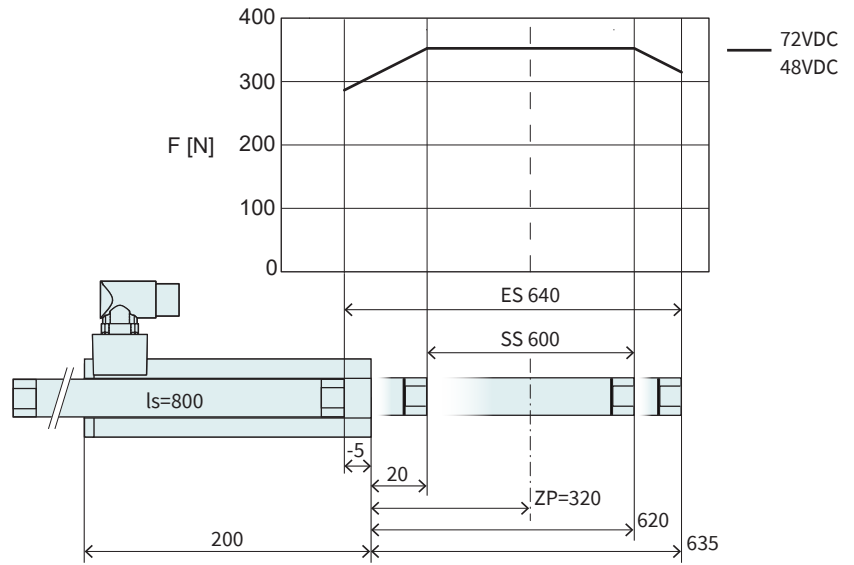
Stroke			
Standard Stroke (SS)	mm (in)		510 (20.1)
Extended Stroke (ES)	mm (in)		550 (21.65)
Force			
Max. Force @ 48VDC	N (lbf)		360 (80.9)
Max. Force @ 72VDC	N (lbf)		360 (80.9)
Max. Cont. Force [Passive cooling / Fan / Fluid]	N (lbf)		100 / 180 / - (23 / 40 / -)
Max. Border Force relative	%		83 / 90
Force Constant	N/A <sub>pk</sub> (lbf/A <sub>pk</sub> )		15.65 (3.51)
Velocity			
Max. Velocity @ 48VDC	m/s (in/s)		2.7 (109.9)
Max. Velocity @ 72VDC	m/s (in/s)		4.1 (169.9)
Position Detection			
Repeatability	mm (in)		±0.05 (±0.002)
Linearity	%		± 0.25
Electrical Data			
Max. Current @ 48VDC	A <sub>pk</sub>		23.0
Max. Current @ 72VDC	A <sub>pk</sub>		23.0
Max. Cont. Current [Passive cooling / Fan / Fluid]	A <sub>pk</sub>		6.7 / 11 / -
Thermal Data			
Max. Winding Temperature (Sensor)	°C		120
Thermal Resistance [Passive cooling / Fan / Fluid]	°K/W		1.5 / 0.51 / -
Thermal Time Constant [Passive cooling / Fan / Fluid]	s		970 / 330 / -
Mechanical Data			
Slider Length	mm (in)		710 (28)
Slider Mass	g (lb)		3250 (7.2)



Item	Description	Item-No.
<b>PS01-48x150G-HP-C</b>	Stator HP with IP67 Connector M23/9(m)	<a href="#">0150-2992</a>
<b>PS01-48x150G-HP-C-2S</b>	Stator HP with IP67 Connector M23/9(m) - Safety	<a href="#">0150-2292</a>
<b>PL01-28x710/660-HP</b>	Slider 'High Performance'	<a href="#">0150-3824</a>
<b>PL01-28x710/660-HP-2S</b>	Slider 'High Performance' - Safety	<a href="#">0150-23824</a>

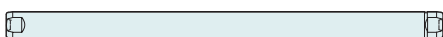
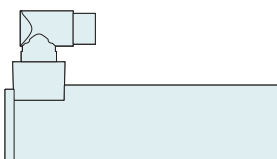
**P01-48x150G/600x640-HP**

**Max. Stroke:** 640 mm  
**Peak Force:** 360 N



Dimensions in mm

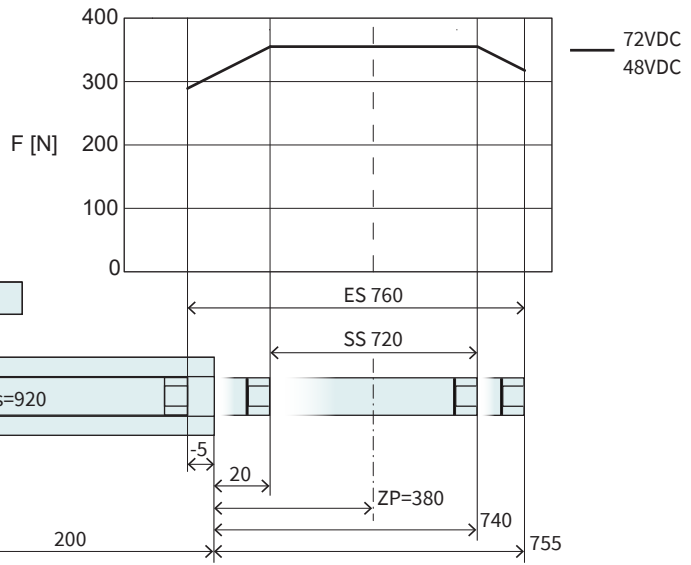
Technical Data P01-48x150G/600x640-HP				
<b>Stroke</b>				
Standard Stroke (SS)	mm	(in)	600	(23.6)
Extended Stroke (ES)	mm	(in)	640	(25.20)
<b>Force</b>				
Max. Force @ 48VDC	N	(lbf)	360	(80.9)
Max. Force @ 72VDC	N	(lbf)	360	(80.9)
Max. Cont. Force [Passive cooling / Fan / Fluid]	N	(lbf)	100 / 180 / -	(23 / 40 / -)
Max. Border Force relative	%		83 / 90	
Force Constant	N/A <sub>pk</sub>	(lbf/A <sub>pk</sub> )	15.65	(3.51)
<b>Velocity</b>				
Max. Velocity @ 48VDC	m/s	(in/s)	2.7	(109.9)
Max. Velocity @ 72VDC	m/s	(in/s)	4.1	(169.9)
<b>Position Detection</b>				
Repeatability	mm	(in)	±0.05	(±0.002)
Linearity	%		± 0.2	
<b>Electrical Data</b>				
Max. Current @ 48VDC	A <sub>pk</sub>		23.0	
Max. Current @ 72VDC	A <sub>pk</sub>		23.0	
Max. Cont. Current [Passive cooling / Fan / Fluid]	A <sub>pk</sub>		6.7 / 11 / -	
<b>Thermal Data</b>				
Max. Winding Temperature (Sensor)	°C		120	
Thermal Resistance [Passive cooling / Fan / Fluid]	°K/W		1.5 / 0.51 / -	
Thermal Time Constant [Passive cooling / Fan / Fluid]	s		970 / 330 / -	
<b>Mechanical Data</b>				
Slider Length	mm	(in)	800	(31)
Slider Mass	g	(lb)	3670	(8.1)



Item	Description	Item-No.
<b>PS01-48x150G-HP-C</b>	Stator HP with IP67 Connector M23/9(m)	<a href="#">0150-2992</a>
<b>PS01-48x150G-HP-C-2S</b>	Stator HP with IP67 Connector M23/9(m) - Safety	<a href="#">0150-22992</a>
<b>PL01-28x800/750-HP</b>	Slider 'High Performance'	<a href="#">0150-3825</a>
<b>PL01-28x800/750-HP-2S</b>	Slider 'High Performance' - Safety	<a href="#">0150-23825</a>

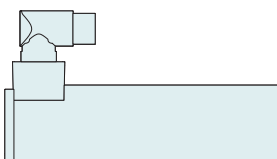
**P01-48x150G/720x760-HP**

**Max. Stroke:** 760 mm  
**Peak Force:** 360 N



Dimensions in mm

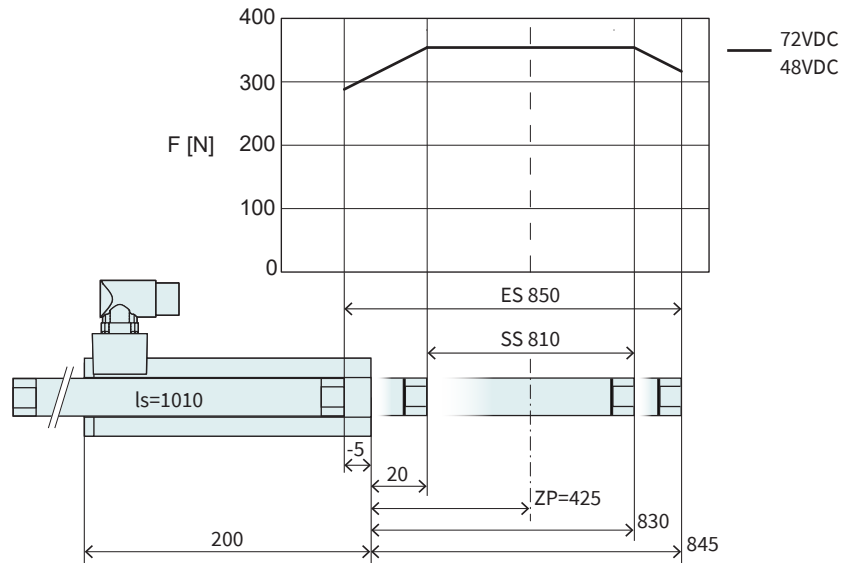
Technical Data P01-48x150G/720x760-HP			
<b>Stroke</b>			
Standard Stroke (SS)	mm (in)		720 (28.3)
Extended Stroke (ES)	mm (in)		760 (29.92)
<b>Force</b>			
Max. Force @ 48VDC	N (lbf)		360 (80.9)
Max. Force @ 72VDC	N (lbf)		360 (80.9)
Max. Cont. Force [Passive cooling / Fan / Fluid]	N (lbf)		100 / 180 / - (23 / 40 / -)
Max. Border Force relative	%		83 / 90
Force Constant	N/A <sub>pk</sub> (lbf/A <sub>pk</sub> )		15.65 (3.51)
<b>Velocity</b>			
Max. Velocity @ 48VDC	m/s (in/s)		2.7 (109.9)
Max. Velocity @ 72VDC	m/s (in/s)		4.1 (169.9)
<b>Position Detection</b>			
Repeatability	mm (in)		±0.05 (±0.002)
Linearity	%		± 0.2
<b>Electrical Data</b>			
Max. Current @ 48VDC	A <sub>pk</sub>		23.0
Max. Current @ 72VDC	A <sub>pk</sub>		23.0
Max. Cont. Current [Passive cooling / Fan / Fluid]	A <sub>pk</sub>		6.7 / 11 / -
<b>Thermal Data</b>			
Max. Winding Temperature (Sensor)	°C		120
Thermal Resistance [Passive cooling / Fan / Fluid]	°K/W		1.5 / 0.51 / -
Thermal Time Constant [Passive cooling / Fan / Fluid]	s		970 / 330 / -
<b>Mechanical Data</b>			
Slider Length	mm (in)		920 (36)
Slider Mass	g (lb)		4230 (9.3)



Item	Description	Item-No.
<b>PS01-48x150G-HP-C</b>	Stator HP with IP67 Connector M23/9(m)	<a href="#">0150-2992</a>
<b>PS01-48x150G-HP-C-2S</b>	Stator HP with IP67 Connector M23/9(m) - Safety	<a href="#">0150-22992</a>
<b>PL01-28x920/870-HP</b>	Slider 'High Performance'	<a href="#">0150-3878</a>
<b>PL01-28x920/870-HP-2S</b>	Slider 'High Performance' - Safety	<a href="#">0150-23878</a>

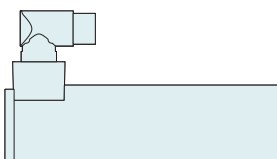
**P01-48x150G/810x850-HP**

**Max. Stroke:** 850 mm  
**Peak Force:** 360 N



Dimensions in mm

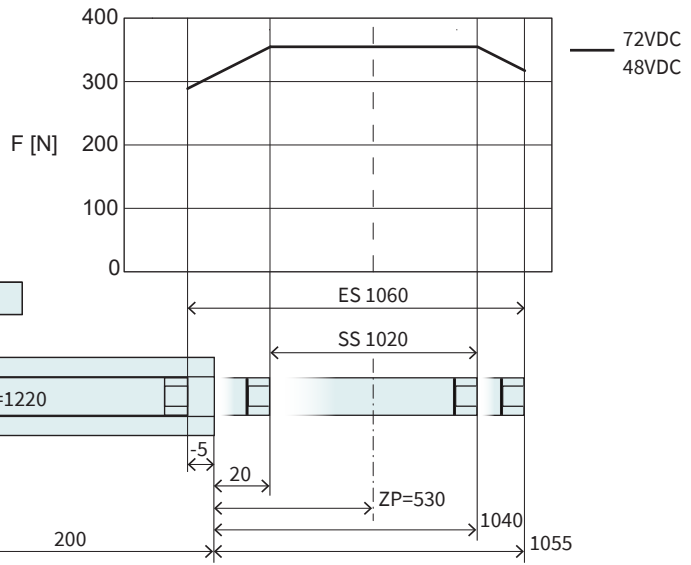
Technical Data P01-48x150G/810x850-HP				
<b>Stroke</b>				
Standard Stroke (SS)	mm	(in)	810	(31.89)
Extended Stroke (ES)	mm	(in)	850	(33.46)
<b>Force</b>				
Max. Force @ 48VDC	N	(lbf)	360	(80.9)
Max. Force @ 72VDC	N	(lbf)	360	(80.9)
Max. Cont. Force [Passive cooling / Fan / Fluid]	N	(lbf)	100 / 180 / -	(23 / 40 / -)
Max. Border Force relative	%		83 / 90	
Force Constant	N/A <sub>pk</sub>	(lbf/A <sub>pk</sub> )	15.65	(3.51)
<b>Velocity</b>				
Max. Velocity @ 48VDC	m/s	(in/s)	2.7	(109.9)
Max. Velocity @ 72VDC	m/s	(in/s)	4.1	(169.9)
<b>Position Detection</b>				
Repeatability	mm	(in)	±0.05	(±0.002)
Linearity	%		± 0.2	
<b>Electrical Data</b>				
Max. Current @ 48VDC	A <sub>pk</sub>		23.0	
Max. Current @ 72VDC	A <sub>pk</sub>		23.0	
Max. Cont. Current [Passive cooling / Fan / Fluid]	A <sub>pk</sub>		6.7 / 11 / -	
<b>Thermal Data</b>				
Max. Winding Temperature (Sensor)	°C		120	
Thermal Resistance [Passive cooling / Fan / Fluid]	°K/W		1.5 / 0.51 / -	
Thermal Time Constant [Passive cooling / Fan / Fluid]	s		970 / 330 / -	
<b>Mechanical Data</b>				
Slider Length	mm	(in)	1010	(40)
Slider Mass	g	(lb)	4650	(10)



Item	Description	Item-No.
<b>PS01-48x150G-HP-C</b>	Stator HP with IP67 Connector M23/9(m)	<a href="#">0150-2992</a>
<b>PS01-48x150G-HP-C-2S</b>	Stator HP with IP67 Connector M23/9(m) - Safety	<a href="#">0150-22992</a>
<b>PL01-28x1010/960-HP</b>	Slider 'High Performance'	<a href="#">0150-3827</a>
<b>PL01-28x1010/960-HP-2S</b>	Slider 'High Performance' - Safety	<a href="#">0150-23827</a>

**P01-48x150G/1020x1060-HP**

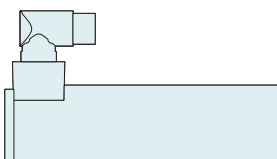
**Max. Stroke:** 1060 mm  
**Peak Force:** 360 N



Dimensions in mm

Technical Data P01-48x150G/1020x1060-HP

Stroke			
Standard Stroke (SS)	mm (in)		1020 (40.2)
Extended Stroke (ES)	mm (in)		1060 (41.73)
Force			
Max. Force @ 48VDC	N (lbf)		360 (80.9)
Max. Force @ 72VDC	N (lbf)		360 (80.9)
Max. Cont. Force [Passive cooling / Fan / Fluid]	N (lbf)		100 / 180 / - (23 / 40 / -)
Max. Border Force relative	%		83 / 90
Force Constant	N/A <sub>pk</sub> (lbf/A <sub>pk</sub> )		15.65 (3.51)
Velocity			
Max. Velocity @ 48VDC	m/s (in/s)		2.7 (109.9)
Max. Velocity @ 72VDC	m/s (in/s)		4.1 (169.9)
Position Detection			
Repeatability	mm (in)		±0.05 (±0.002)
Linearity	%		± 0.15
Electrical Data			
Max. Current @ 48VDC	A <sub>pk</sub>		23.0
Max. Current @ 72VDC	A <sub>pk</sub>		23.0
Max. Cont. Current [Passive cooling / Fan / Fluid]	A <sub>pk</sub>		6.7 / 11 / -
Thermal Data			
Max. Winding Temperature (Sensor)	°C		120
Thermal Resistance [Passive cooling / Fan / Fluid]	°K/W		1.5 / 0.51 / -
Thermal Time Constant [Passive cooling / Fan / Fluid]	s		970 / 330 / -
Mechanical Data			
Slider Length	mm (in)		1220 (48)
Slider Mass	g (lb)		5620 (12)

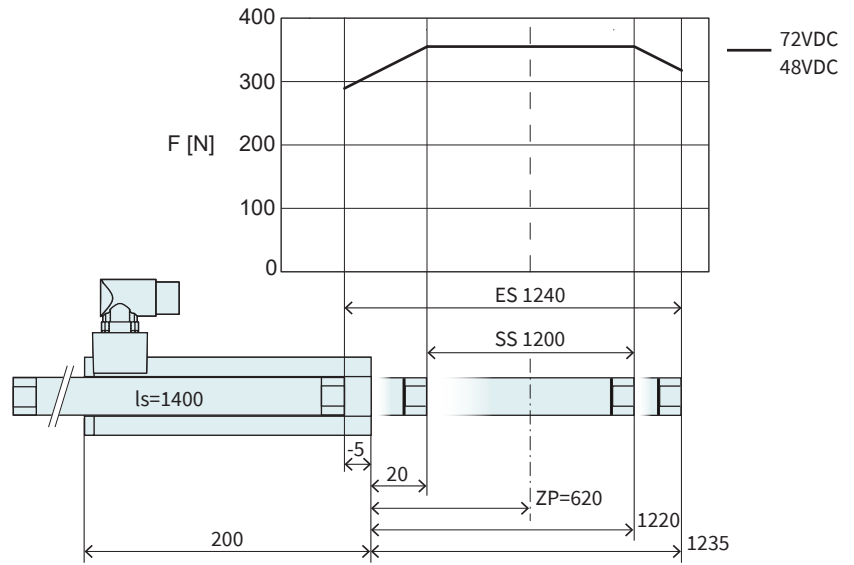


Item	Description	Item-No.
<b>PS01-48x150G-HP-C</b>	Stator HP with IP67 Connector M23/9(m)	<a href="#">0150-2992</a>
<b>PS01-48x150G-HP-C-2S</b>	Stator HP with IP67 Connector M23/9(m) - Safety	<a href="#">0150-2292</a>
<b>PL01-28x1220/1170-HP</b>	Slider 'High Performance'	<a href="#">0150-3828</a>
<b>PL01-28x1220/1170-HP-2S</b>	Slider 'High Performance' - Safety	<a href="#">0150-23828</a>



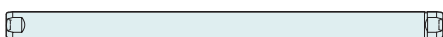
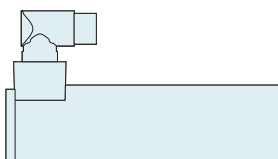
**P01-48x150G/1200x1240-HP**

**Max. Stroke:** 1240 mm  
**Peak Force:** 360 N



Dimensions in mm

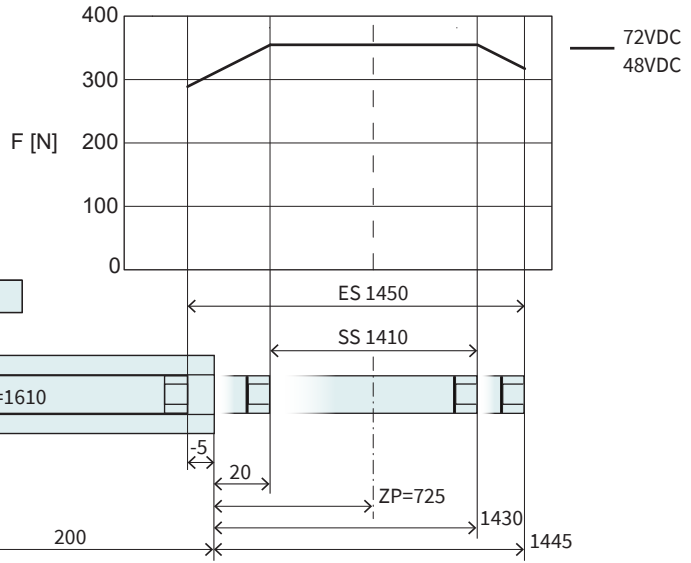
Technical Data P01-48x150G/1200x1240-HP				
<b>Stroke</b>				
Standard Stroke (SS)	mm (in)		1200 (47.2)	
Extended Stroke (ES)	mm (in)		1240 (48.82)	
<b>Force</b>				
Max. Force @ 48VDC	N (lbf)		360 (80.9)	
Max. Force @ 72VDC	N (lbf)		360 (80.9)	
Max. Cont. Force [Passive cooling / Fan / Fluid]	N (lbf)		100 / 180 / - (23 / 40 / -)	
Max. Border Force relative	%		83 / 90	
Force Constant	N/A <sub>pk</sub> (lbf/A <sub>pk</sub> )		15.65 (3.51)	
<b>Velocity</b>				
Max. Velocity @ 48VDC	m/s (in/s)		2.7 (109.9)	
Max. Velocity @ 72VDC	m/s (in/s)		4.1 (169.9)	
<b>Position Detection</b>				
Repeatability	mm (in)		±0.05 (±0.002)	
Linearity	%		±0.15	
<b>Electrical Data</b>				
Max. Current @ 48VDC	A <sub>pk</sub>		23.0	
Max. Current @ 72VDC	A <sub>pk</sub>		23.0	
Max. Cont. Current [Passive cooling / Fan / Fluid]	A <sub>pk</sub>		6.7 / 11 / -	
<b>Thermal Data</b>				
Max. Winding Temperature (Sensor)	°C		120	
Thermal Resistance [Passive cooling / Fan / Fluid]	°K/W		1.5 / 0.51 / -	
Thermal Time Constant [Passive cooling / Fan / Fluid]	s		970 / 330 / -	
<b>Mechanical Data</b>				
Slider Length	mm (in)		1400 (55)	
Slider Mass	g (lb)		6460 (14)	



Item	Description	Item-No.
<b>PS01-48x150G-HP-C</b>	Stator HP with IP67 Connector M23/9(m)	<a href="#">0150-2992</a>
<b>PS01-48x150G-HP-C-2S</b>	Stator HP with IP67 Connector M23/9(m) - Safety	<a href="#">0150-22992</a>
<b>PL01-28x1400/1350-HP</b>	Slider 'High Performance'	<a href="#">0150-3829</a>
<b>PL01-28x1400/1350-HP-2S</b>	Slider 'High Performance' - Safety	<a href="#">0150-23829</a>

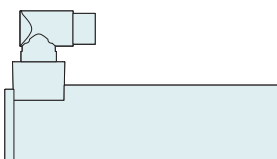
**P01-48x150G/1410x1450-HP**

**Max. Stroke:** 1450 mm  
**Peak Force:** 360 N



Dimensions in mm

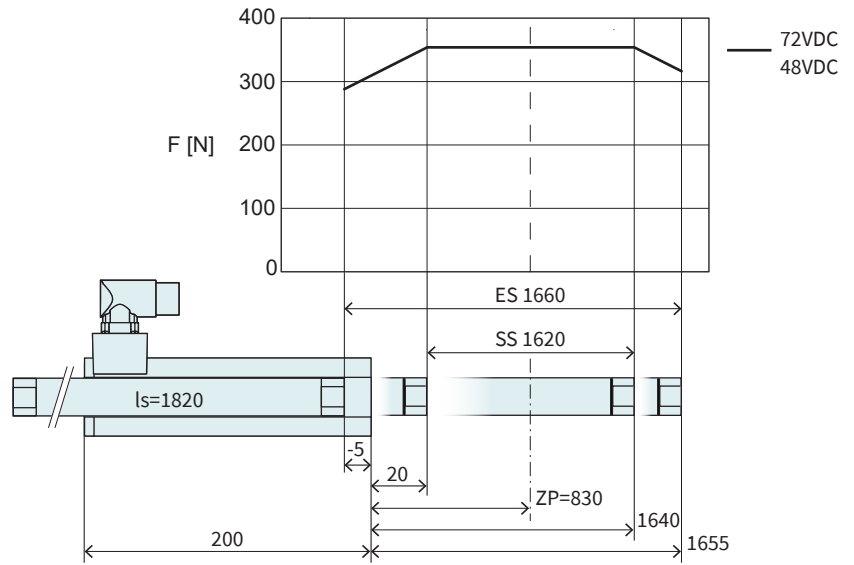
Technical Data P01-48x150G/1410x1450-HP			
<b>Stroke</b>			
Standard Stroke (SS)	mm (in)	1410 (55.49)	
Extended Stroke (ES)	mm (in)	1450 (57.09)	
<b>Force</b>			
Max. Force @ 48VDC	N (lbf)	360 (80.9)	
Max. Force @ 72VDC	N (lbf)	360 (80.9)	
Max. Cont. Force [Passive cooling / Fan / Fluid]	N (lbf)	100 / 180 / -	(23 / 40 / -)
Max. Border Force relative	%	83 / 90	
Force Constant	N/A <sub>pk</sub> (lbf/A <sub>pk</sub> )	15.65	(3.51)
<b>Velocity</b>			
Max. Velocity @ 48VDC	m/s (in/s)	2.7	(109.9)
Max. Velocity @ 72VDC	m/s (in/s)	4.1	(169.9)
<b>Position Detection</b>			
Repeatability	mm (in)	±0.05	(±0.002)
Linearity	%	± 0.15	
<b>Electrical Data</b>			
Max. Current @ 48VDC	A <sub>pk</sub>	23.0	
Max. Current @ 72VDC	A <sub>pk</sub>	23.0	
Max. Cont. Current [Passive cooling / Fan / Fluid]	A <sub>pk</sub>	6.7 / 11 / -	
<b>Thermal Data</b>			
Max. Winding Temperature (Sensor)	°C	120	
Thermal Resistance [Passive cooling / Fan / Fluid]	°K/W	1.5 / 0.51 / -	
Thermal Time Constant [Passive cooling / Fan / Fluid]	s	970 / 330 / -	
<b>Mechanical Data</b>			
Slider Length	mm (in)	1610	(63)
Slider Mass	g (lb)	7440	(16)



Item	Description	Item-No.
<b>PS01-48x150G-HP-C</b>	Stator HP with IP67 Connector M23/9(m)	<a href="#">0150-2992</a>
<b>PS01-48x150G-HP-C-2S</b>	Stator HP with IP67 Connector M23/9(m) - Safety	<a href="#">0150-22992</a>
<b>PL01-28x1610/1560-HP</b>	Slider 'High Performance'	<a href="#">0150-3830</a>
<b>PL01-28x1610/1560-HP-2S</b>	Slider 'High Performance' - Safety	<a href="#">0150-23830</a>

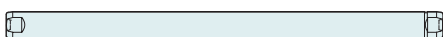
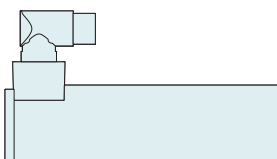
**P01-48x150G/1620x1660-HP**

**Max. Stroke:** 1660 mm  
**Peak Force:** 360 N



Dimensions in mm

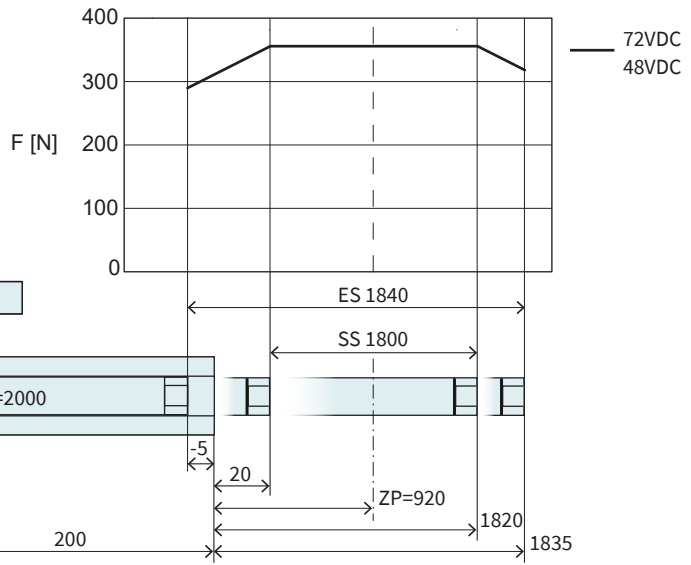
Technical Data P01-48x150G/1620x1660-HP				
<b>Stroke</b>				
Standard Stroke (SS)	mm	(in)	1620	(63.79)
Extended Stroke (ES)	mm	(in)	1660	(65.35)
<b>Force</b>				
Max. Force @ 48VDC	N	(lbf)	360	(80.9)
Max. Force @ 72VDC	N	(lbf)	360	(80.9)
Max. Cont. Force [Passive cooling / Fan / Fluid]	N	(lbf)	100 / 180 / -	(23 / 40 / -)
Max. Border Force relative	%		83 / 90	
Force Constant	N/A <sub>pk</sub>	(lbf/A <sub>pk</sub> )	15.65	(3.51)
<b>Velocity</b>				
Max. Velocity @ 48VDC	m/s	(in/s)	2.7	(109.9)
Max. Velocity @ 72VDC	m/s	(in/s)	4.1	(169.9)
<b>Position Detection</b>				
Repeatability	mm	(in)	±0.05	(±0.002)
Linearity	%		±0.15	
<b>Electrical Data</b>				
Max. Current @ 48VDC	A <sub>pk</sub>		23.0	
Max. Current @ 72VDC	A <sub>pk</sub>		23.0	
Max. Cont. Current [Passive cooling / Fan / Fluid]	A <sub>pk</sub>		6.7 / 11 / -	
<b>Thermal Data</b>				
Max. Winding Temperature (Sensor)	°C		120	
Thermal Resistance [Passive cooling / Fan / Fluid]	°K/W		1.5 / 0.51 / -	
Thermal Time Constant [Passive cooling / Fan / Fluid]	s		970 / 330 / -	
<b>Mechanical Data</b>				
Slider Length	mm	(in)	1820	(72)
Slider Mass	g	(lb)	8410	(19)



Item	Description	Item-No.
<b>PS01-48x150G-HP-C</b>	Stator HP with IP67 Connector M23/9(m)	<a href="#">0150-2992</a>
<b>PS01-48x150G-HP-C-2S</b>	Stator HP with IP67 Connector M23/9(m) - Safety	<a href="#">0150-22992</a>
<b>PL01-28x1820/1770-HP</b>	Slider 'High Performance'	<a href="#">0150-3831</a>
<b>PL01-28x1820/1770-HP-2S</b>	Slider 'High Performance' - Safety	<a href="#">0150-23831</a>

**P01-48x150G/1800x1840-HP**

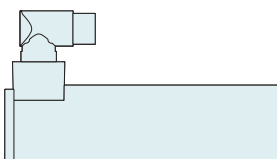
**Max. Stroke:** 1840 mm  
**Peak Force:** 360 N



Dimensions in mm

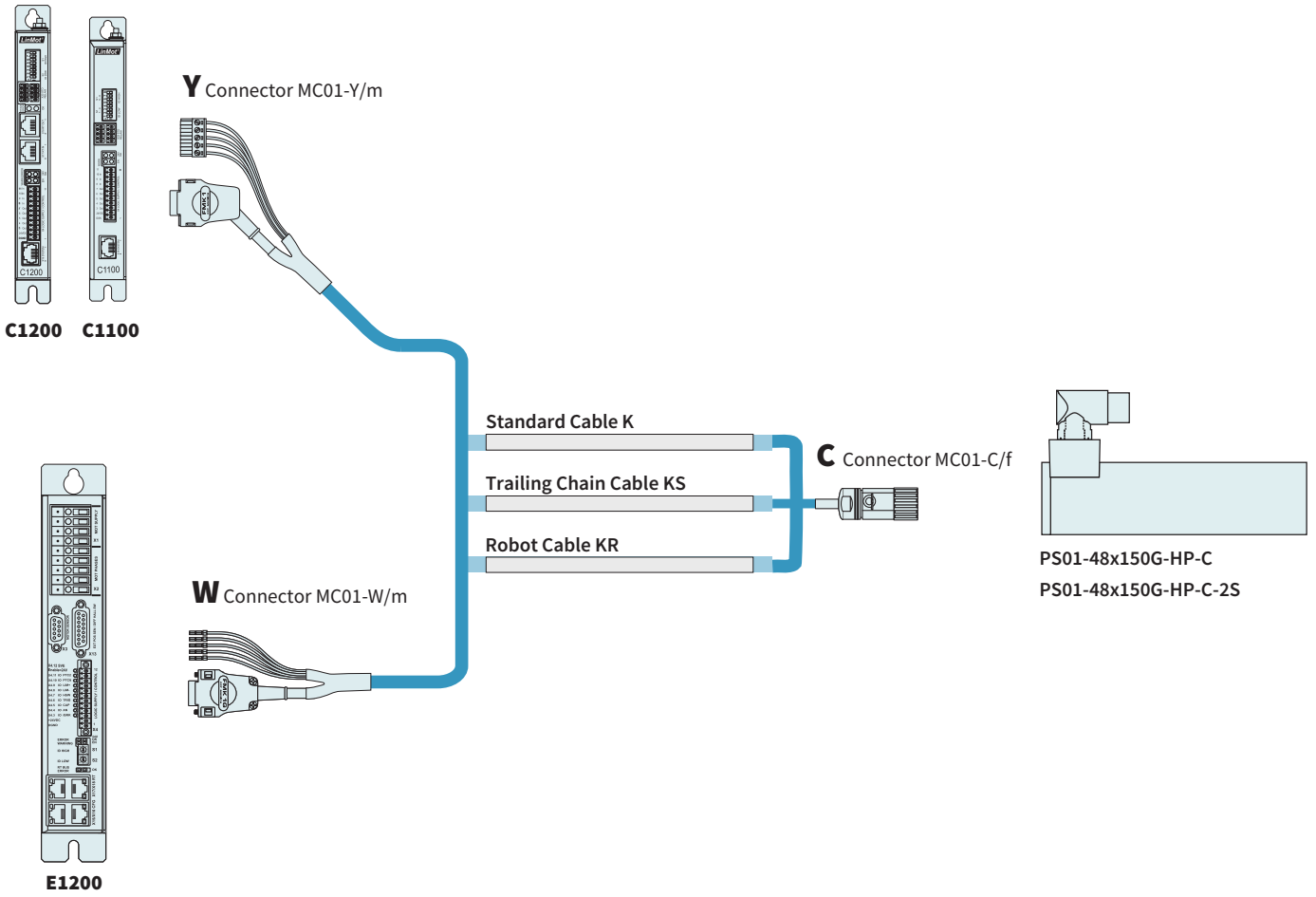
Technical Data P01-48x150G/1800x1840-HP

Stroke			
Standard Stroke (SS)	mm (in)	1800	(70.9)
Extended Stroke (ES)	mm (in)	1840	(72.44)
Force			
Max. Force @ 48VDC	N (lbf)	360	(80.9)
Max. Force @ 72VDC	N (lbf)	360	(80.9)
Max. Cont. Force [Passive cooling / Fan / Fluid]	N (lbf)	100 / 180 / -	(23 / 40 / -)
Max. Border Force relative	%	83 / 90	
Force Constant	N/A <sub>pk</sub> (lbf/A <sub>pk</sub> )	15.65	(3.51)
Velocity			
Max. Velocity @ 48VDC	m/s (in/s)	2.7	(109.9)
Max. Velocity @ 72VDC	m/s (in/s)	4.1	(169.9)
Position Detection			
Repeatability	mm (in)	±0.05	(±0.002)
Linearity	%	± 0.15	
Electrical Data			
Max. Current @ 48VDC	A <sub>pk</sub>	23.0	
Max. Current @ 72VDC	A <sub>pk</sub>	23.0	
Max. Cont. Current [Passive cooling / Fan / Fluid]	A <sub>pk</sub>	6.7 / 11 / -	
Thermal Data			
Max. Winding Temperature (Sensor)	°C	120	
Thermal Resistance [Passive cooling / Fan / Fluid]	°K/W	1.5 / 0.51 / -	
Thermal Time Constant [Passive cooling / Fan / Fluid]	s	970 / 330 / -	
Mechanical Data			
Slider Length	mm (in)	2000	(79)
Slider Mass	g (lb)	9250	(20)



Item	Description	Item-No.
<b>PS01-48x150G-HP-C</b>	Stator HP with IP67 Connector M23/9(m)	<a href="#">0150-2992</a>
<b>PS01-48x150G-HP-C-2S</b>	Stator HP with IP67 Connector M23/9(m) - Safety	<a href="#">0150-22992</a>
<b>PL01-28x2000/1950-HP</b>	Slider 'High Performance'	<a href="#">0150-3832</a>
<b>PL01-28x2000/1950-HP-2S</b>	Slider 'High Performance' - Safety	<a href="#">0150-23832</a>

**Motor Cable**



**Note:** Linear Motor does not run on servo drive series E100 and E1000 as well as on the series B1100 and E1100.

**ORDERING INFORMATION**

STANDARD CABLE		
Item	Description	Item-No.
<b>K15-W/C-2</b>	Motor Cable W/C, 2 m	<a href="#">0150-1811</a>
<b>K15-W/C-4</b>	Motor Cable W/C, 4 m	<a href="#">0150-1801</a>
<b>K15-W/C-6</b>	Motor Cable W/C, 6 m	<a href="#">0150-1802</a>
<b>K15-W/C-8</b>	Motor Cable W/C, 8 m	<a href="#">0150-1803</a>
<b>K15-W/C-</b>	Motor Cable W/C, Custom length	<a href="#">0150-3131</a>
<b>K15-Y/C-2</b>	Motor Cable Y/C, 2 m	<a href="#">0150-2429</a>
<b>K15-Y/C-4</b>	Motor Cable Y/C, 4 m	<a href="#">0150-2430</a>
<b>K15-Y/C-6</b>	Motor Cable Y/C, 6 m	<a href="#">0150-2431</a>
<b>K15-Y/C-8</b>	Motor Cable Y/C, 8 m	<a href="#">0150-2432</a>
<b>K15-Y-Fe/C-</b>	Motor Cable Y-Fe/C, Custom length	<a href="#">0150-3506</a>

## TRAILING CHAIN CABLE

Item	Description	Item-No.
<b>KS10-W/C-4</b>	Trailing Chain Cable W/C, 4 m	<a href="#">0150-1807</a>
<b>KS10-W/C-6</b>	Trailing Chain Cable W/C, 6 m	<a href="#">0150-1858</a>
<b>KS10-W/C-8</b>	Trailing Chain Cable W/C, 8 m	<a href="#">0150-1808</a>
<b>KS10-W/C-</b>	Trailing Chain Cable W/C, Custom length	<a href="#">0150-3139</a>
<b>KS10-Y/C-4</b>	Trailing Chain Cable Y/C, 4 m	<a href="#">0150-2439</a>
<b>KS10-Y/C-6</b>	Trailing Chain Cable Y/C, 6 m	<a href="#">0150-2440</a>
<b>KS10-Y/C-8</b>	Trailing Chain Cable Y/C, 8 m	<a href="#">0150-2441</a>
<b>KS10-Y/C-</b>	Trailing Chain Cable Y-Fe/C, Custom length	<a href="#">0150-3511</a>

## ROBOT CABLE

Item	Description	Item-No.
<b>KR10-W/C-</b>	Robot Cable KR10-W/C, Custom length	<a href="#">0150-3199</a>
<b>KR10-Y-Fe/C-</b>	Robot Cable KR10-Y-Fe/C, Custom length	<a href="#">0150-3515</a>

## CONNECTOR &amp; CABLE (INDIVIDUAL)

Item	Description	Item-No.
<b>MC01-W/m</b>	Motor Connector W/m	<a href="#">0150-3140</a>
<b>MC01-Y-Fe/m</b>	Motor Connector Y-Fe/m	<a href="#">0150-3289</a>
<b>MC01-C/f</b>	Motor Connector C/f	<a href="#">0150-3080</a>
<b>MC01-P/f</b>	Motor Connector P/f	<a href="#">0150-3021</a>
<b>K15-04/05</b>	Motor Cable per m	<a href="#">0150-1978</a>
<b>KS10-04/05</b>	Trailing Chain Cable per m	<a href="#">0150-1977</a>
<b>KR10-04/05</b>	Robot Cable per m	<a href="#">0150-1830</a>

**MOTOR FLANGES**



Item	Description	Item-No.
<b>PF01-48x120</b>	Flange 48x120 mm	<a href="#">0150-1976</a>
<b>PF01-48x136</b>	Flange 48x136 mm	<a href="#">0150-4072</a>

FIND MORE PRODUCT DETAILS IN THE CHAPTER "ACCESSORIES".

**FANS**



Item	Description	Item-No.
<b>HV01-37/48</b>	Fan cooling for H01-37, B01-37 and PF02-37	<a href="#">0150-5051</a>

FIND MORE PRODUCT DETAILS IN THE CHAPTER "ACCESSORIES".

**SLIDER MOUNTING**



Item	Description	Item-No.
<b>PLF01-28</b>	Fixed Bearing Set for 27 mm and 28mm Slider	<a href="#">0150-3087</a>
<b>PLF01-28-SS</b>	Fixed Bearing Set for 27 mm and 28 mm Slider, Stainless steel	<a href="#">0150-3297</a>
<b>PLL01-27</b>	Floating Bearing for PL01-27 Slider	<a href="#">0150-3294</a>
<b>PLL01-28</b>	Floating Bearing for PL01-28 Slider	<a href="#">0150-3094</a>
<b>PLM01-28-MK</b>	Mounting Kit for PL01-28 Slider	<a href="#">0150-3095</a>

FIND MORE PRODUCT DETAILS IN THE CHAPTER "ACCESSORIES".

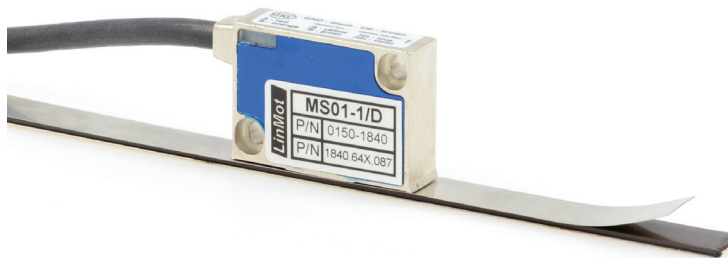
**WIPERS**



Item	Description	Item-No.
<b>PA01-48/27-F</b>	Wipers for PS01-48x... for High-Clearance Slider	<a href="#">0150-3228</a>
<b>PA01-48/27-R</b>	Wipers for PS01-48x...-C for High-Clearance Slider	<a href="#">0150-3229</a>
<b>PA01-48/28-F</b>	Wipers for PS01-48x...	<a href="#">0150-3127</a>
<b>PA01-48/28-R</b>	Wipers for PS01-48x...-C	<a href="#">0150-3202</a>

FIND MORE PRODUCT DETAILS IN THE CHAPTER "ACCESSORIES".

**EXTERNAL POSITION SENSORS**



Item	Description	Item-No.
<b>MS01-1/D</b>	Linear Encoder 1µm, A/B (for inc. strip)	<a href="#">0150-1840</a>
<b>MB01-1000</b>	Magnetic incremental strip for MS01-1/D, per cm	<a href="#">0150-1963</a>
<b>KS025-D/D-Encoder</b>	Encoder Cable (Length in m)	<a href="#">0150-3166</a>
<b>KS025-D/D15-Encoder</b>	Encoder Cable (Length in m)	<a href="#">0150-3168</a>

FIND MORE PRODUCT DETAILS IN THE CHAPTER "ACCESSORIES".



Item	Description	Item-No.
<b>MS01-1/D-SSI</b>	Linear Encoder 1µm, A/B (for absolute strip)	<a href="#">0150-2095</a>
<b>MB01-1000-ABS</b>	Magnetic absolute strip for MS01-1/D-SSI (per cm)	<a href="#">0150-2096</a>
<b>EC01-ABS/ENC-12-S</b>	MS01-1/D-SSI Encoder connector straight	<a href="#">0150-3616</a>
<b>KSS01-12-D15/ABS-ENC</b>	Special cable for MS01-1/D-SSI on C1100/C1200/C1400/E1200/E1400 Drives	<a href="#">0150-3652</a>

FIND MORE PRODUCT DETAILS IN THE CHAPTER "ACCESSORIES".



