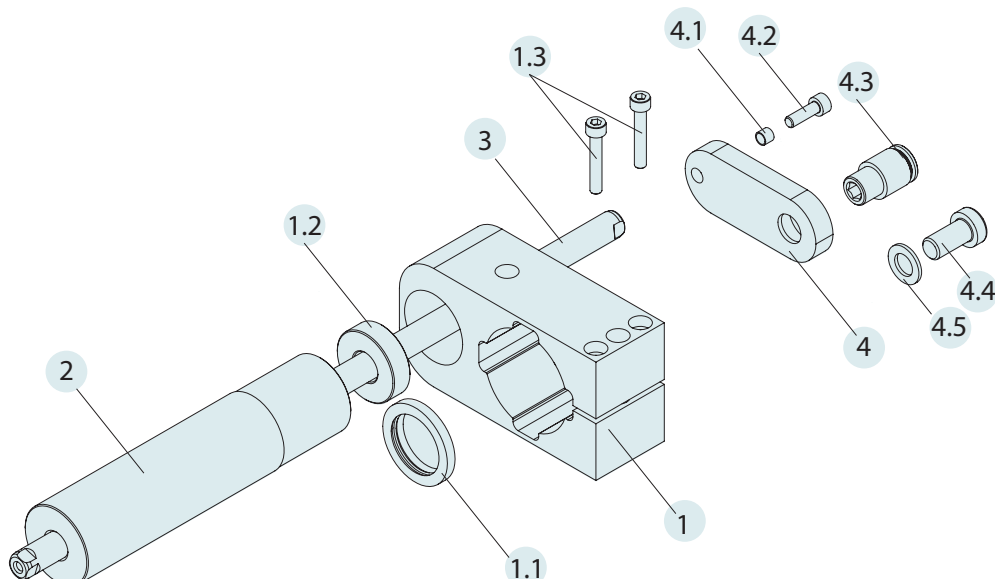


## Mounting Flange and MagSpring Adapter

If the weight force of the linear-rotary axis needs to be compensated for passively, then a "MagSpring" magnetic spring can be installed. LinMot provides appropriate flanges and adapters for simple installation. The mounting flange is available in the variant UNO and DUO for the PR01-84 typos of Linear Rotary Motors.

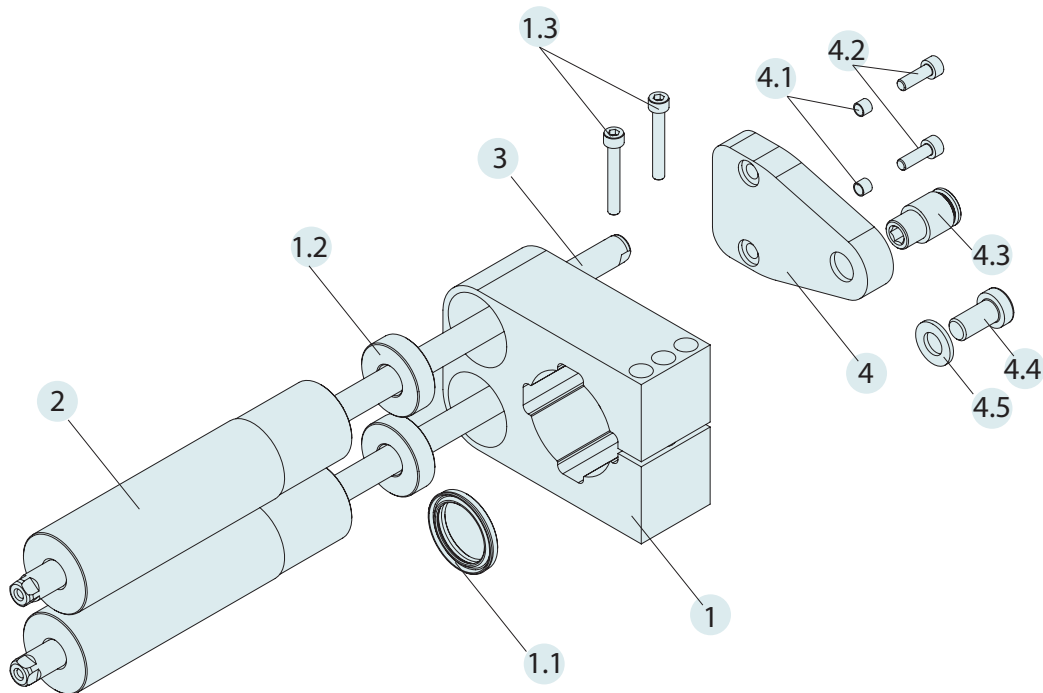


### OVERVIEW MAGSPRING MOUNTING FLANGE UNO



Pos.	Description	Item-No. for type 52 and 52-L		Item-No. for type 84 and 84-L
1	MagSpring Mounting Flange UNO	MF01-PR01-52x40-20 Item-No. 0250-2322	MF01-PR01-52x40-37 Item-No. 0250-2319	MF01-PR01-84x37-1 Item-No. 0250-2337
delivered with:				
1.1	Wiper	PAW01-20 Item-No. 0150-3112		PAW01-28 Art.-No. 0150-3133
1.2	Spacer sleeve	For type 52 and 52-L not available		
1.3	Socket screw (2x)	M5x30 / ISO 4762		
2	MagSpring Stator	MS01-20x140 (22 F <sub>const.</sub> ) Item-No. 0250-2201	MS01-37x155 (40 F <sub>const.</sub> ) Item-No. 0250-2204	MS01-37x155 (60 F <sub>const.</sub> ) Item-No. 0250-2204
			MS01-37x155 (60 F <sub>const.</sub> ) Item-No. 0250-2204	For Linear Rotary Motors with 300 mm stroke: MS01-37x305 / Art.-No. 0250-2206
3	MagSpring Slider	ML01-12x350/160-20 Item-No. 0250-2321	ML01-12x350/160-10 Item-No. 0250-2333	ML01-12x350/160-20 Item-No. 0250-2321
			ML01-12x350/160-20 Item-No. 0250-2321	For Linear Rotary Motors with 300 mm stroke: ML01-12x650/320-20 / Art.-No. 0250-2343
4	MagSpring Adapter	MA01-PR01-52-37/20 Item-No. 0250-0128		MA01-PR01-84x80-37x1 Item-No. 0250-2341
delivered with:				
4.1	Spacer sleeve	MA01-PR01-sleeve 4,9		
4.2	Socket screw	M5x14 / ISO 4762		
4.3	Pneumatic fitting	for 6 mm hose 1/8" or for 10 mm hose 1/4"		
4.4	Socket screw	M8x14 / ISO 4762		
4.5	Adjusting washer	M8		
		M10		

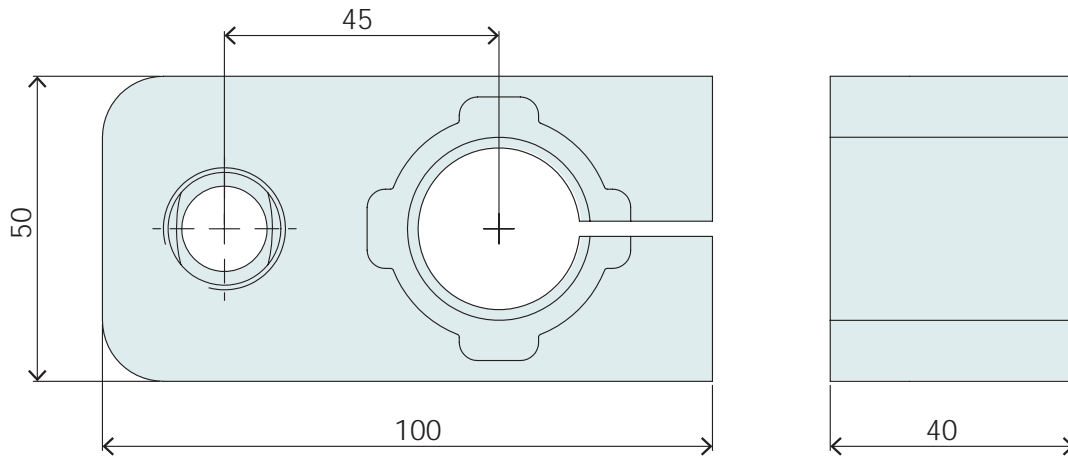
**OVERVIEW MAGSPRING MOUNTING FLANGE DUO**



Pos.	Description	Item-No.
1	MagSpring Mounting Flange DUO	MF01-PR01-84x37-2 Item-No. 0250-2338
delivered with:		
1.1	Wiper	PAW01-28 Art.-No. 0150-3133
1.2	Spacer sleeve (2x)	MF01-AR-84
1.3	Socket screw (2x)	M5x35 / ISO 4762
2	MagSpring Stator (2x)	MS01-37x155 (60 F <sub>const.</sub> ) Item-No. 0250-2204
3	MagSpring Slider (2x)	ML01-12x350/160-20 Item-No. 0250-2321
4	MagSpring Adapter	MA01-PR01-84x80-37x2 Item-No. 0250-2340
delivered with:		
4.1	Spacer sleeve (2x)	MA01-PR01-sleeve 4,9
4.2	Socket screw (2x)	M5x14 / ISO 4762
4.3	Pneumatic fitting	for 10 mm hose 1/4"
4.4	Socket screw	M10x20 / DIN 7984
4.5	Adjusting washer	M10

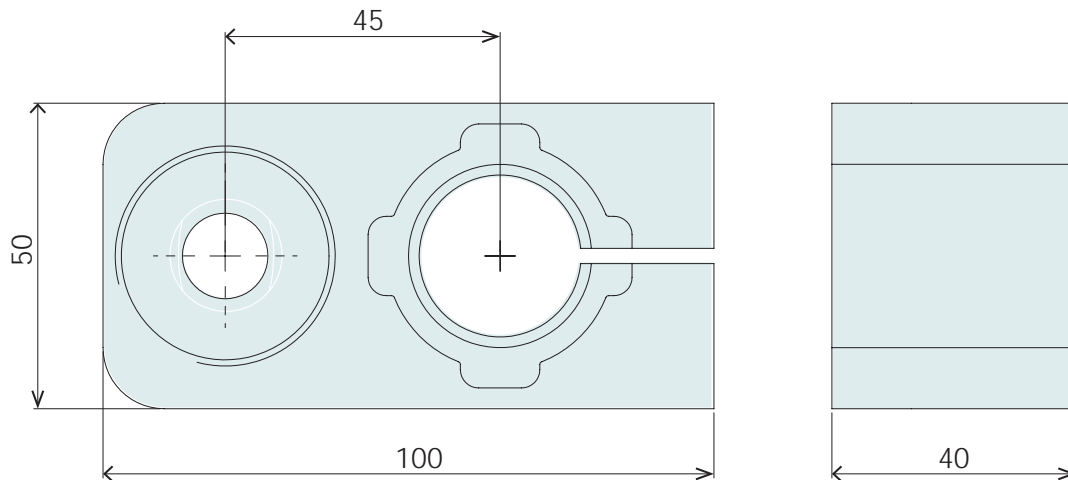
14

**MF01-PR01-52x40-20**



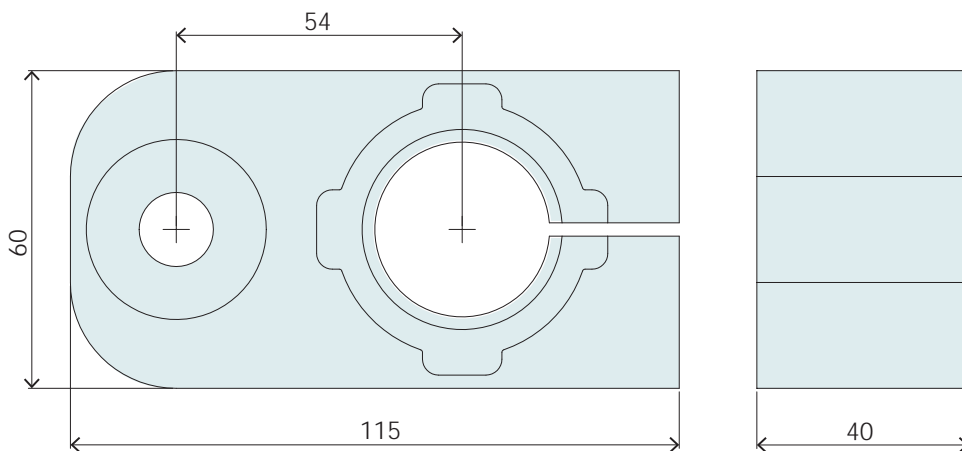
Item	Description	Weight [g]	Item-No.
<b>MF01-PR01-52x40-20</b>	MagSpring Mounting Flange for Linear Rotary Motors	330	0250-2322

**MF01-PR01-52x40-37**



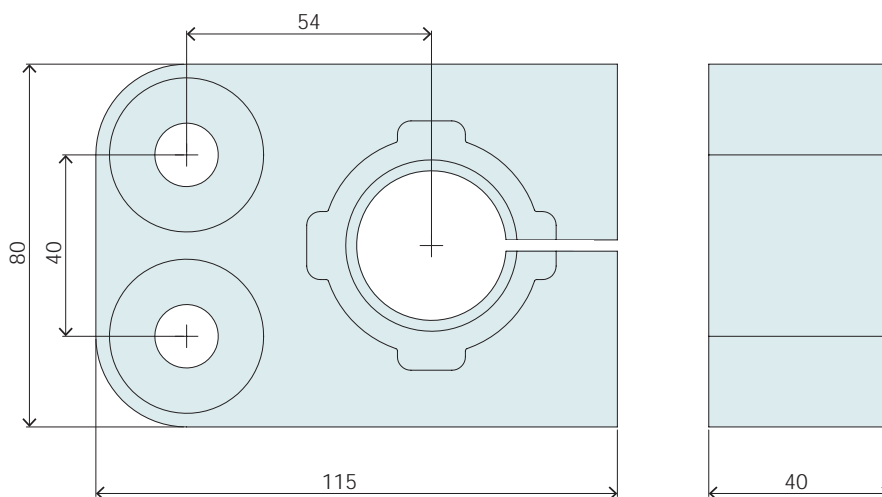
Item	Description	Weight [g]	Item-No.
<b>MF01-PR01-52x40-37</b>	MagSpring Mounting Flange for Linear Rotary Motors	310	0250-2319

**MF01-PR01-84x80-37-1**



Item	Description	Weight [g]	Item-No.
<b>MF01-PR01-84x80-37-1</b>	MagSpring Mounting Flange for Linear Rotary Motors UNO	425	0250-2337

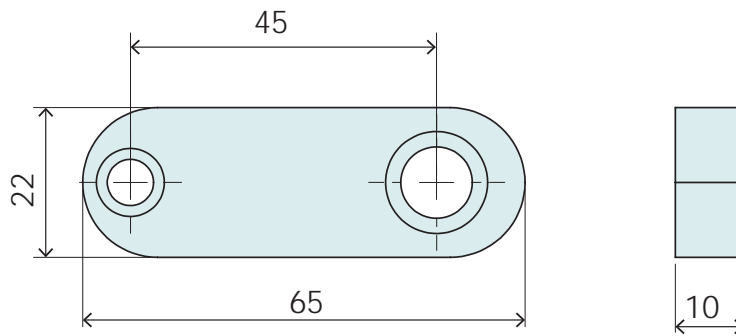
**MF01-PR01-84x80-37-2**



Item	Description	Weight [g]	Item-No.
<b>MF01-PR01-84x80-37-2</b>	MagSpring Mounting Flange for Linear Rotary Motors DUO	590	0250-2338

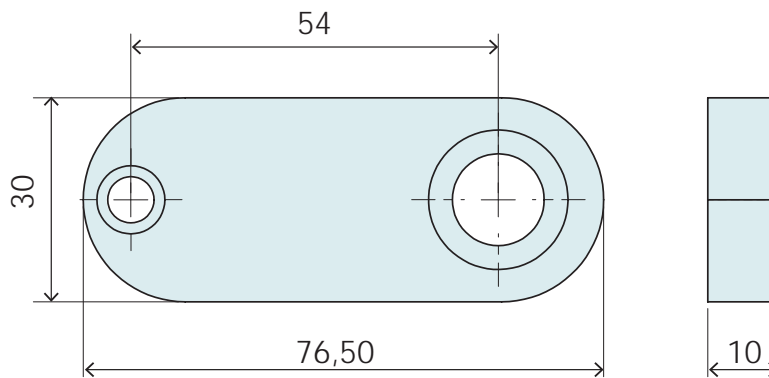
14

**MA01-PR01-52-37/20**



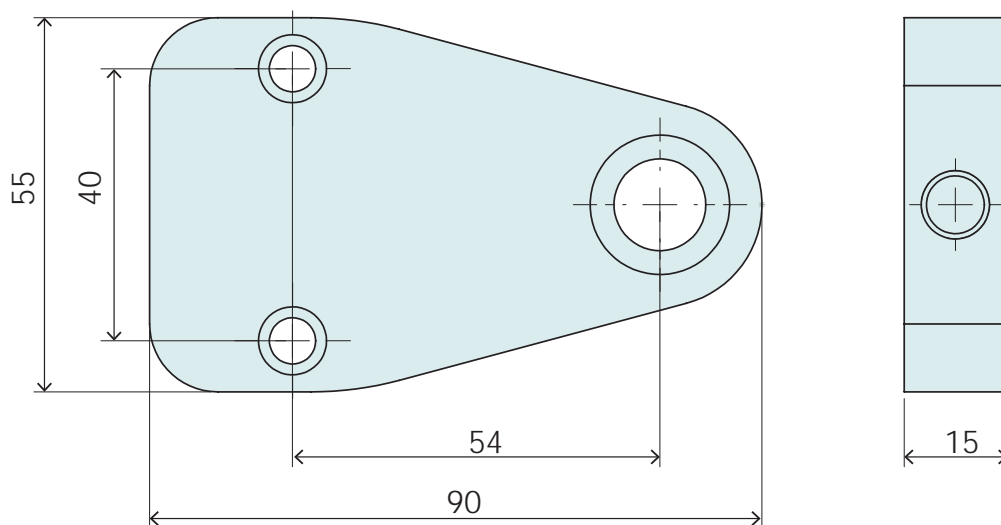
Item	Description	Weight [g]	Item-No.
MA01-PR01-52-37/20	MagSpring Adapter for Linear Rotary Motor	50	0250-0128

**MA01-PR01-84x80-37-1**



Item	Description	Weight [g]	Item-No.
MA01-PR01-84x80-37-1	MagSpring Adapter for Linear Rotary Motors UNO	85	0250-2341

**MA01-PR01-84x80-37-2**



Item	Description	Weight [g]	Item-No.
MA01-PR01-84x80-37-2	Adapter MagSpring Linear Rotary Motor DUO	186	0250-2340