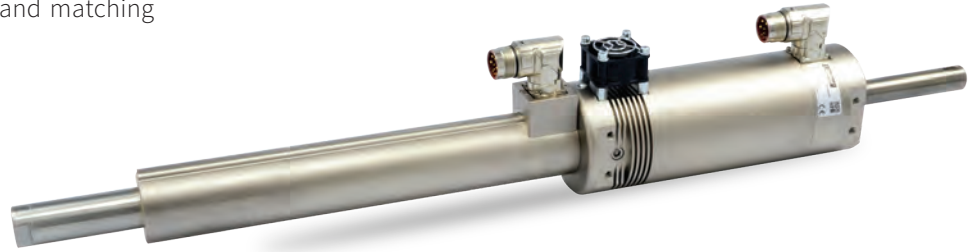
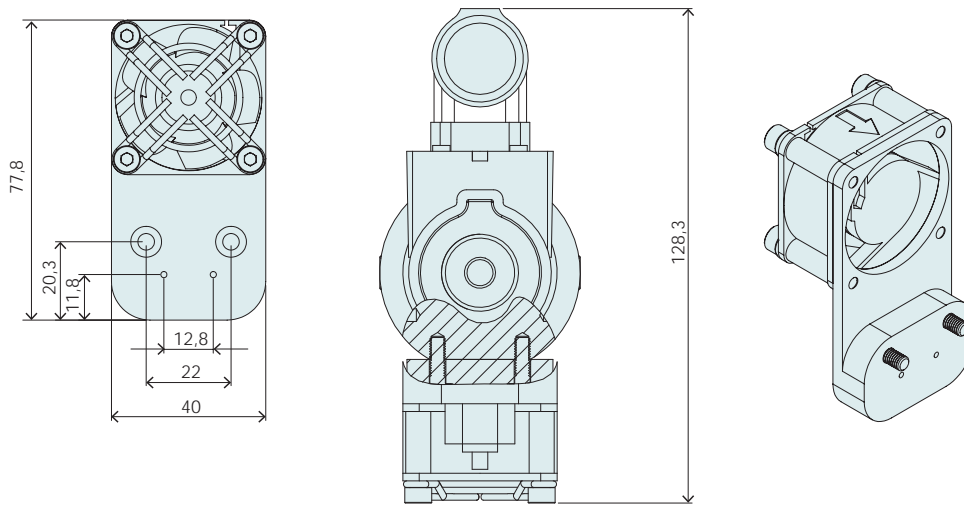


Fan Kits

LinMot offers fan kits for size 52 and 84 rotary motors. These consist of a fan, the cover grid, and matching mounting screws.



RS01-VA52-KIT

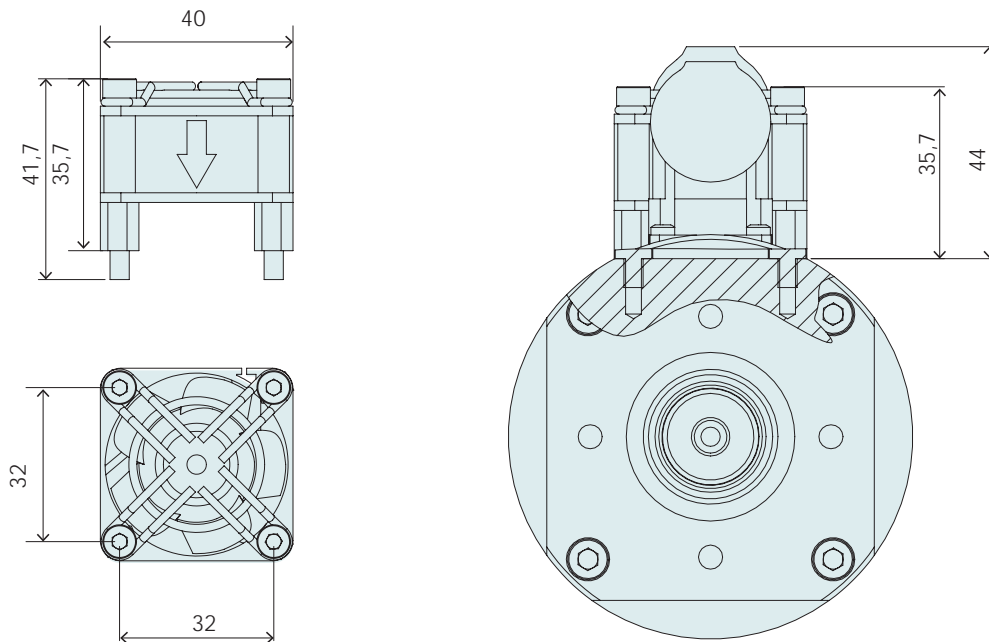


Fan supply:
24 VDC, 60 mA

Air flow:
14.7 m³/h

Item	Description	Weight [g]	Item-No.
RS01-VA52-Kit	Fan Kit for RS01-52 Rotary Motors	75	0150-1599

RS01-VA84-KIT



Fan supply:
24 VDC, 60 mA

Air flow:
14.7 m³/h

Item	Description	Weight [g]	Item-No.
RS01-VA84-Kit	Fan Kit for RS01-84 Rotary Motors	30	0150-1600