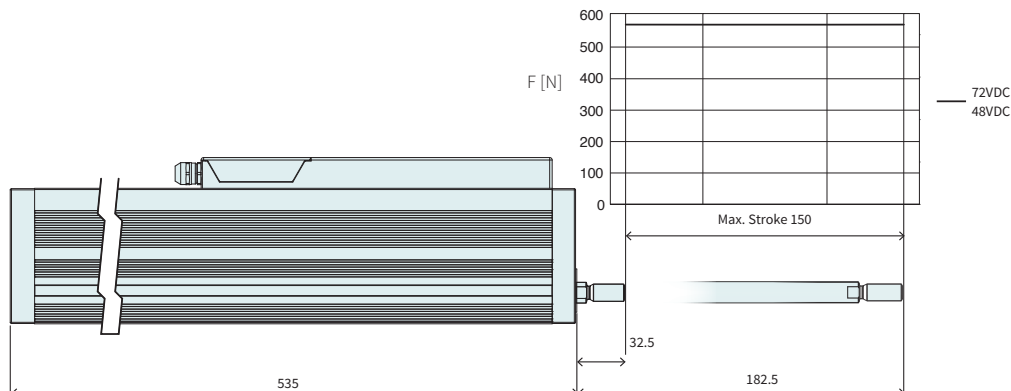


**PD04-48x240F/150-C**

**Max. Stroke:** 150 mm  
**Peak Force:** 572 N



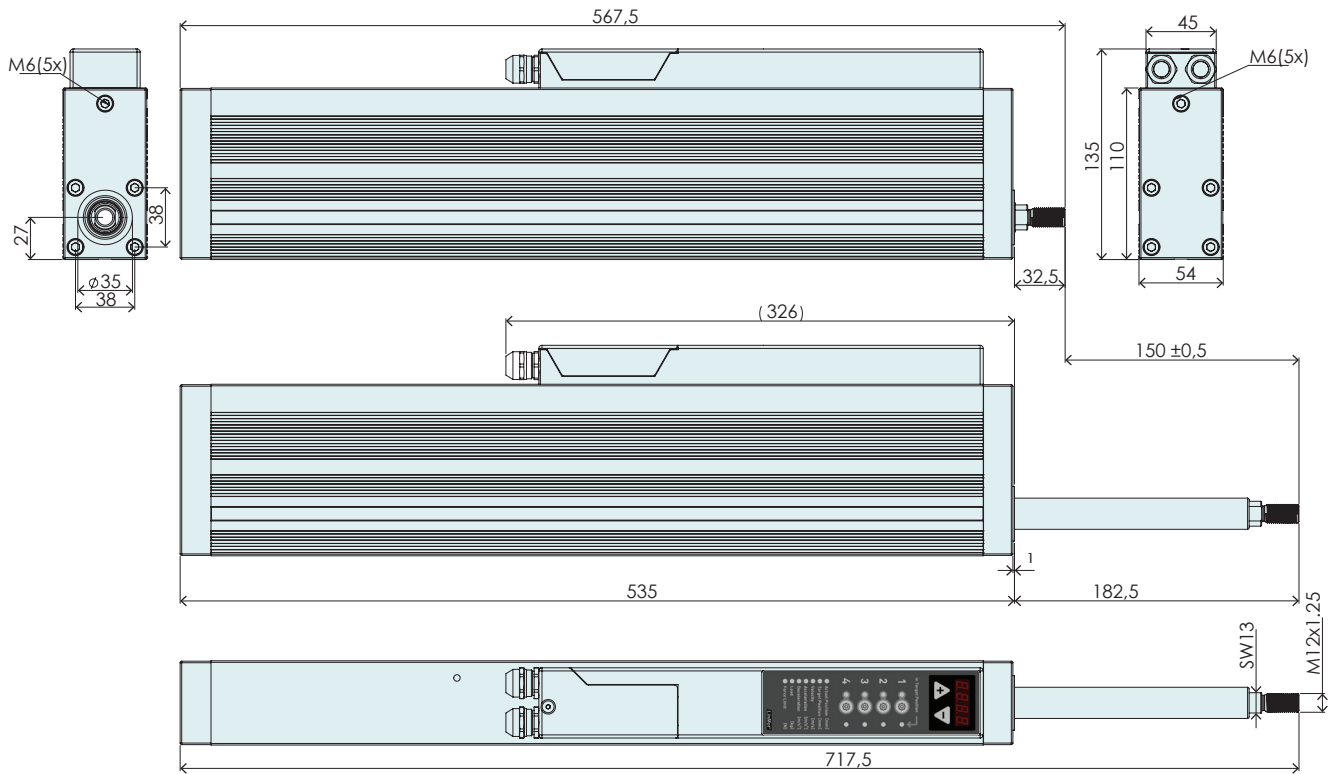
Dimensions in mm

Technical Data PD04-48x240F/150-C

Stroke			
Max. Stroke	mm (in)	150 (5.91)	
Force			
Max. Force @ 48VDC	N (lbf)	572 (129)	
Max. Force @ 72VDC	N (lbf)	572 (129)	
Max. Cont. Force [Passive cooling / Fan / Fluid]	N (lbf)	190 / 250 / - (42 / 56 / -)	
Force Constant	N/A <sub>pk</sub> (lbf/A <sub>pk</sub> )	22 (4.95)	
Velocity			
Max. Velocity @ 48VDC	m/s (in/s)	1.9 (78.9)	
Max. Velocity @ 72VDC	m/s (in/s)	2.9 (119.9)	
Position Detection			
Position Resolution	mm (in)	0.007 (0.0003)	
Repeatability	mm (in)	±0.05 (±0.002)	
Linearity	%	± 0.4	
Electrical Data			
Max. Current @ 48VDC	A <sub>pk</sub>	25.9	
Max. Current @ 72VDC	A <sub>pk</sub>	25.9	
Max. Cont. Current [Passive cooling / Fan / Fluid]	A <sub>pk</sub>	8.6 / 11 / -	
Terminal Resistance 25 °C / 120 °C	Ohm	0.97 / 1.3	
Terminal Inductivity	mH	1.1	
Magnetic Period	mm (in)	60	(2.35)
Thermal Data			
Max. Winding Temperature (Sensor)	°C	90	
Thermal Resistance [Passive cooling / Fan / Fluid]	°K/W	0.54 / 0.31 / -	
Thermal Time Constant [Passive cooling / Fan / Fluid]	s	550 / 320 / -	
Mechanical Data			
Stator Width	mm (in)	54 (2.13)	
Stator Height	mm (in)	110 (4.33)	
Stator Length	mm (in)	535 (21.07)	
Stator Mass	g (lb)	3865 (8.5)	
Rod Diameter	mm (in)	20 (0.79)	
Rod Mass	g (lb)	1305 (2.88)	
Max. shear force to the rod	N (lbf)	90 (20.25)	
Max. torque to the rod	Nm (lbf·in)	2.5 (22.32)	
IP Code		IP 65*	

\*static (linear movement paused)

**MOTOR**



Item	Description	Item-No.
PD04-48x240F/150	Linear motor PD04-48, 150 mm Stroke	<a href="#">0150-2795</a>