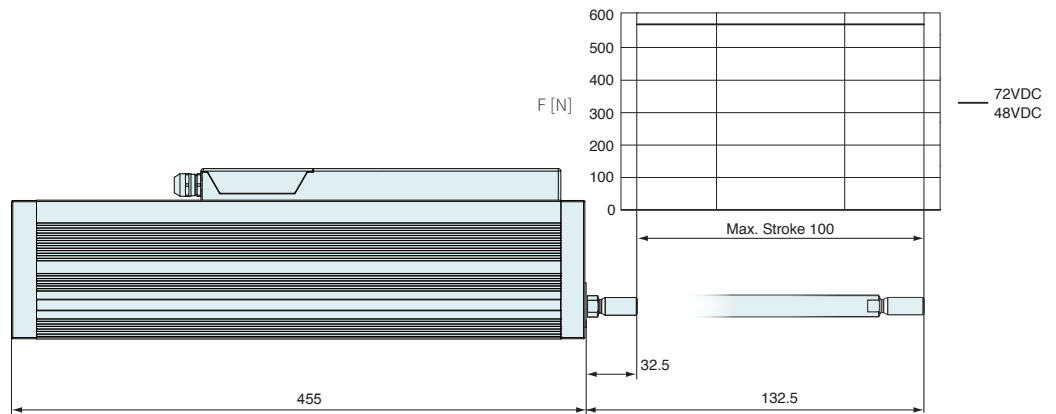


PD04-48x240F/100-C

Max. Stroke: 100 mm
Peak Force: 572 N



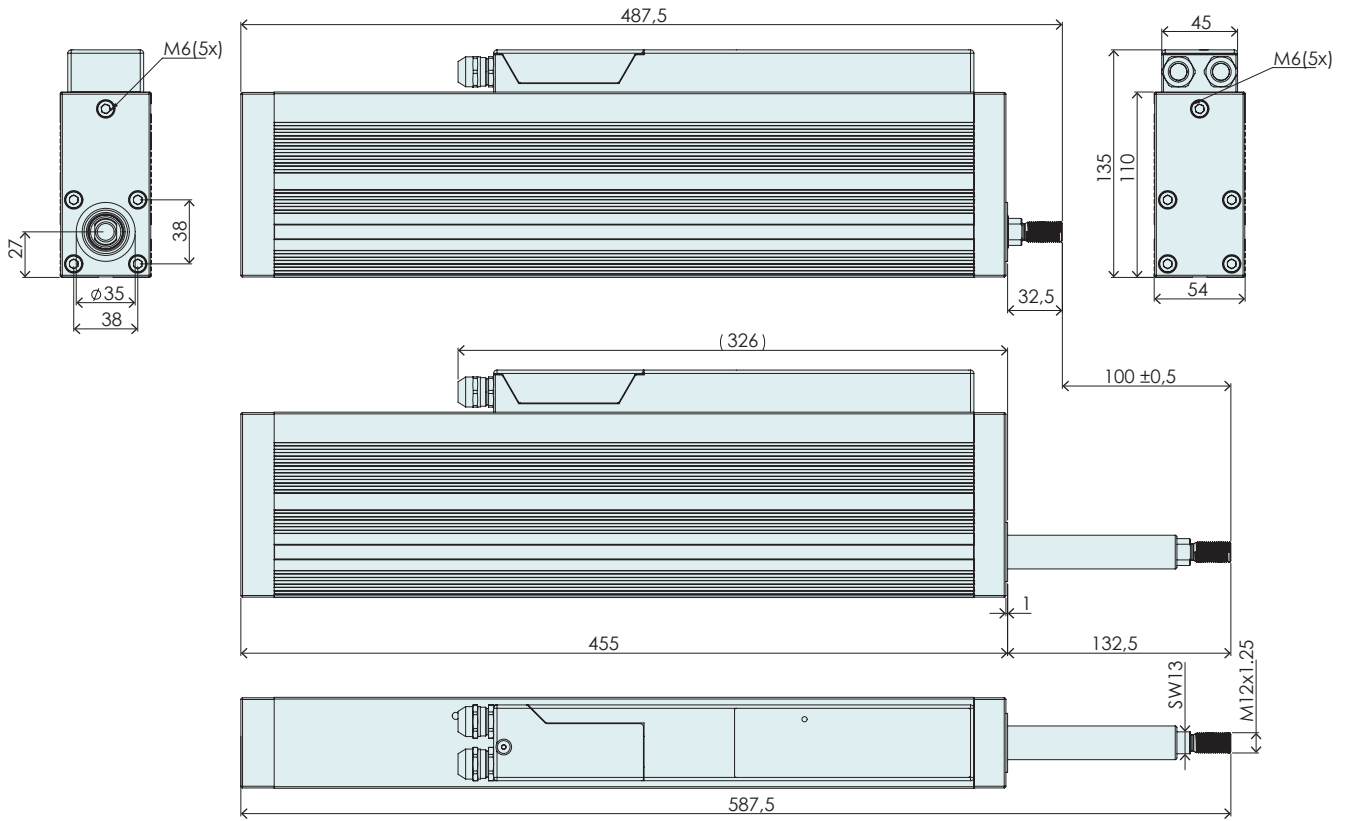
Dimensions in mm

Technical Data PD04-48x240F/100-C

Stroke			
Max. Stroke	mm (in)	100	(3.93)
Force			
Max. Force @ 48VDC	N (lbf)	572	(129)
Max. Force @ 72VDC	N (lbf)	572	(129)
Max. Cont. Force [Passive cooling / Fan / Fluid]	N (lbf)	190 / 250 / -	(42 / 56 / -)
Force Constant	N/A _{pk} (lbf/A _{pk})	22	(4.95)
Velocity			
Max. Velocity @ 48VDC	m/s (in/s)	1.9	(78.9)
Max. Velocity @ 72VDC	m/s (in/s)	2.9	(119.9)
Position Detection			
Position Resolution	mm (in)	0.007	(0.0003)
Repeatability	mm (in)	±0.05	(±0.002)
Linearity	%	± 0.4	
Electrical Data			
Max. Current @ 48VDC	A _{pk} / A _{rms}	25.9	
Max. Current @ 72VDC	A _{pk} / A _{rms}	25.9	
Max. Cont. Current [Passive cooling / Fan / Fluid]	A _{pk}	8.6 / 11 / -	
Terminal Resistance 25 °C / 120 °C	Ohm	0.97 / 1.3	
Terminal Inductivity	mH	1.1	
Magnetic Period	mm (in)	60	(2.35)
Thermal Data			
Max. Winding Temperature (Sensor)	°C	90	
Thermal Resistance [Passive cooling / Fan / Fluid]	°K/W	0.54 / 0.31 / -	
Thermal Time Constant [Passive cooling / Fan / Fluid]	s	550 / 320 / -	
Mechanical Data			
Stator Width	mm (in)	54	(2.13)
Stator Height	mm (in)	110	(4.33)
Stator Length	mm (in)	455	(17.92)
Stator Mass	g (lb)	3555	(7.82)
Rod Diameter	mm (in)	20	(0.79)
Rod Mass	g (lb)	1109	(2.45)
Max. shear force to the rod	N (lbf)	90	(20.25)
Max. torque to the rod	Nm (lbfin)	2.5	(22.32)
IP Code		IP 65*	

*static (linear movement paused)

MOTOR



Item	Description	Item-No.
PD04-48x240F/100	Linear motor PD04-48, 100 mm Stroke	0150-2794