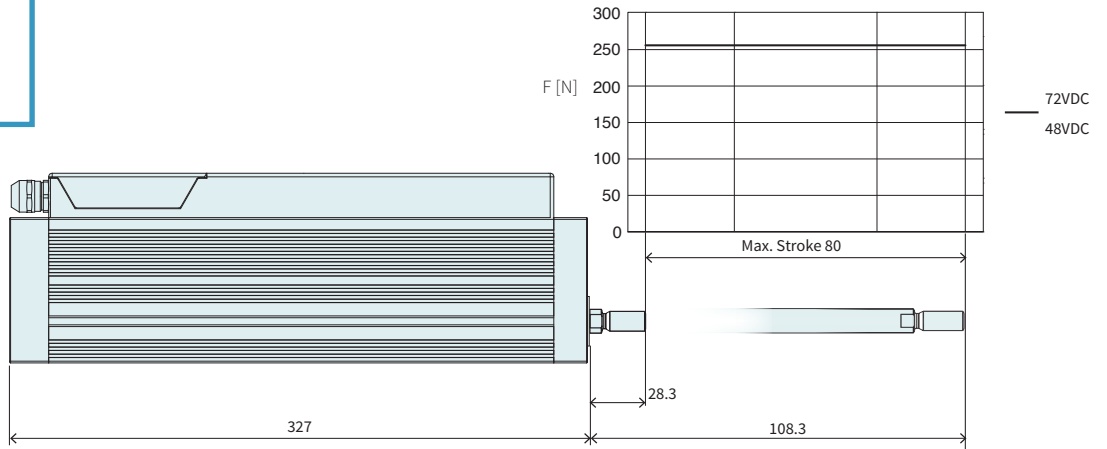


PD04-37x120F/80-HP-R

Max. Stroke: 80 mm
Peak Force: 255 N



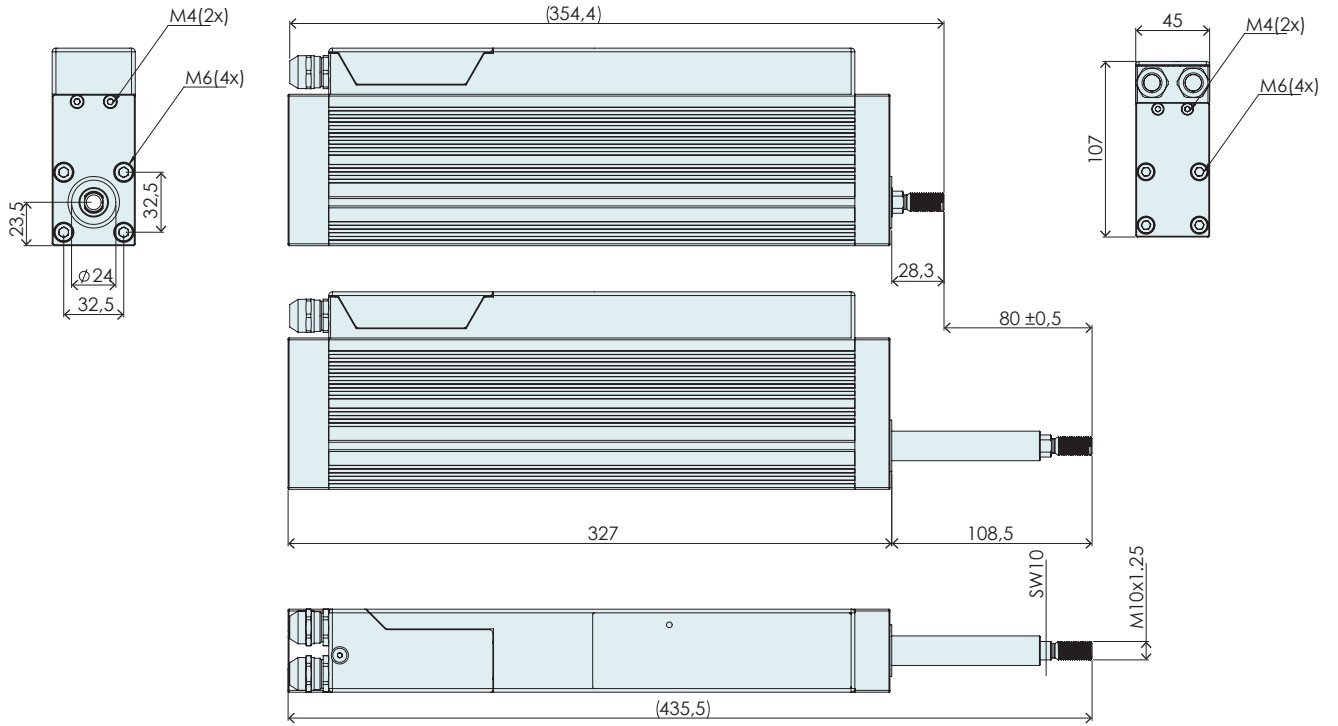
Dimensions in mm

Technical Data PD04-37x120F/80-HP-R

Stroke			
Max. Stroke	mm (in)	80	(3.14)
Force			
Max. Force @ 48VDC	N (lbf)	255	(57.3)
Max. Force @ 72VDC	N (lbf)	255	(57.3)
Max. Cont. Force [Passive cooling / Fan / Fluid]	N (lbf)	63 / 93 / -	(14 / 21 / -)
Force Constant	N/A _{pk} (lbf/A _{pk})	17	(3.82)
Velocity			
Max. Velocity @ 48VDC	m/s (in/s)	2.5	(99.9)
Max. Velocity @ 72VDC	m/s (in/s)	3.8	(149.9)
Position Detection			
Position Resolution	mm (in)	0.005	(0.0002)
Repeatability	mm (in)	±0.05	(±0.002)
Linearity	%	± 0.4	
Electrical Data			
Max. Current @ 48VDC	A _{pk}	14.9	
Max. Current @ 72VDC	A _{pk}	14.9	
Max. Cont. Current [Passive cooling / Fan / Fluid]	A _{pk}	3.7 / 5.5 / -	
Terminal Resistance 25 °C / 150 °C	Ohm	2.4 / 3.5	
Terminal Inductivity	mH	1.6	
Magnetic Period	mm (in)	40	(1.57)
Thermal Data			
Max. Winding Temperature (Sensor)	°C	120	
Thermal Resistance [Passive cooling / Fan / Fluid]	°K/W	1.7 / 0.78 / -	
Thermal Time Constant [Passive cooling / Fan / Fluid]	s	680 / 310 / -	
Mechanical Data			
Stator Width	mm (in)	45	(1.77)
Stator Height	mm (in)	82	(3.23)
Stator Length	mm (in)	327	(12.88)
Stator Mass	g (lb)	2365	(5.2)
Rod Diameter	mm (in)	16	(0.63)
Rod Mass	g (lb)	507	(1.12)
Max. shear force to the rod	N (lbf)	60	(13.5)
Max. torque to the rod	Nm (lbf·in)	1	(8.93)
IP Code		IP 65*	

*static (linear movement paused)

MOTOR



Item	Description	Item-No.
PD04-37x120F/80-HP	Linear motor PD04-37, 80 mm Stroke	0150-2792