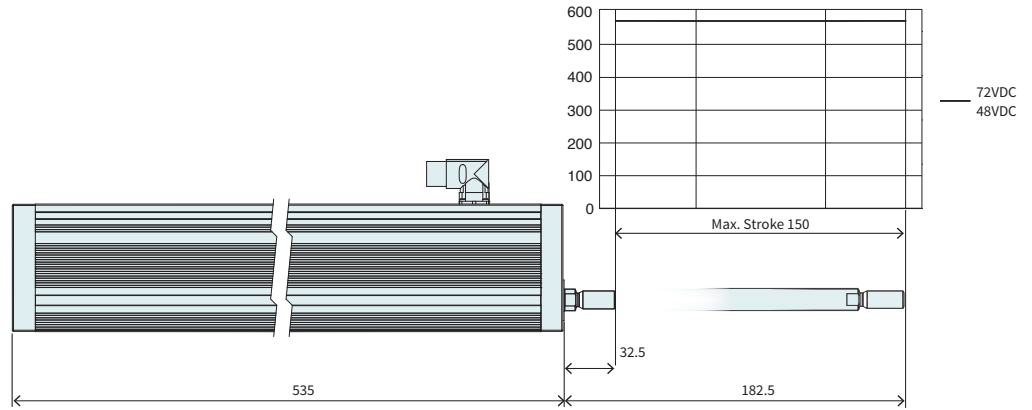


**P04-48x240F/150-C**

**Max. Stroke:** 150 mm  
**Peak Force:** 572 N



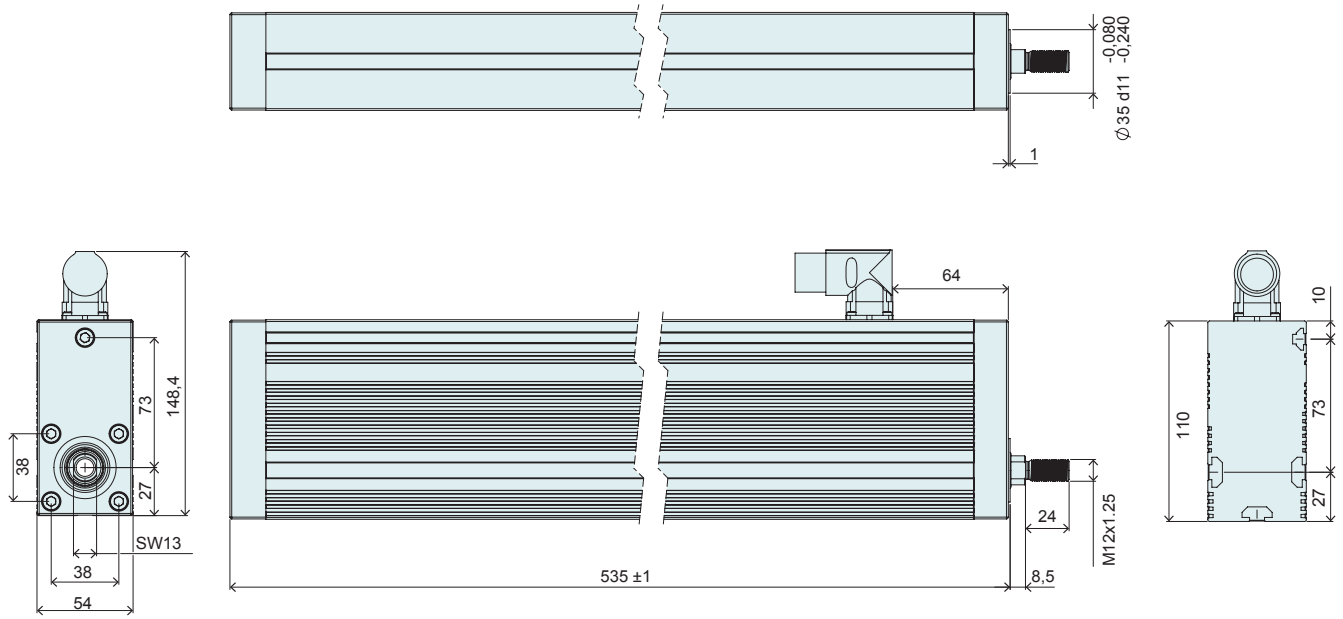
Dimensions in mm

Technical Data P04-48x240F/150

| Stroke  |  |                 |               |
|---|--|-----------------|---------------|
| Max. Stroke   | mm (in)                                  | 150             | (5.91)        |
| Force   |  |                 |               |
| Max. Force @ 48VDC                                    | N (lbf)                                  | 572             | (129)         |
| Max. Force @ 72VDC                                    | N (lbf)                                  | 572             | (129)         |
| Max. Cont. Force [Passive cooling / Fan / Fluid]      | N (lbf)                                  | 190 / 250 / -   | (42 / 56 / -) |
| Force Constant  | N/A <sub>pk</sub> (lbf/A <sub>pk</sub> ) | 22              | (4.95)        |
| Velocity  |  |                 |               |
| Max. Velocity @ 48VDC                                 | m/s (in/s)                               | 1.9             | (78.9)        |
| Max. Velocity @ 72VDC                                 | m/s (in/s)                               | 2.9             | (119.9)       |
| Position Detection                                    |  |                 |               |
| Position Resolution                                   | mm (in)                                  | 0.007           | (0.0003)      |
| Repeatability   | mm (in)                                  | ±0.05           | (±0.002)      |
| Linearity   | %  | ± 0.4           |               |
| Electrical Data                                       |  |                 |               |
| Max. Current @ 48VDC                                  | A <sub>pk</sub>                          | 25.9            |               |
| Max. Current @ 72VDC                                  | A <sub>pk</sub>                          | 25.9            |               |
| Max. Cont. Current [Passive cooling / Fan / Fluid]    | A <sub>pk</sub>                          | 8.6 / 11 / -    |               |
| Terminal Resistance 25 °C / 120 °C                    | Ohm                                      | 0.97 / 1.3      |               |
| Terminal Inductivity                                  | mH                                       | 1.1             |               |
| Magnetic Period                                       | mm (in)                                  | 60              | (2.35)        |
| Thermal Data  |  |                 |               |
| Max. Winding Temperature (Sensor)                     | °C                                       | 90              |               |
| Thermal Resistance [Passive cooling / Fan / Fluid]    | °K/W                                     | 0.54 / 0.31 / - |               |
| Thermal Time Constant [Passive cooling / Fan / Fluid] | s  | 550 / 320 / -   |               |
| Mechanical Data                                       |  |                 |               |
| Stator Width  | mm (in)                                  |                 |               |
| Stator Height   | mm (in)                                  |                 |               |
| Stator Length   | mm (in)                                  |                 |               |
| Stator Mass   | g (lb)                                   | 3865            | (6.9)         |
| Rod Diameter  | mm (in)                                  |                 |               |
| Rod Mass  | g (lb)                                   |                 |               |
| Max. shear force to the rod                           | N (lbf)                                  |                 |               |
| Max. torque to the rod                                | Nm (lbf·in)                              |                 |               |
| IP Code   |  |                 | IP 65*        |

\*static (linear movement paused)

**MOTOR**

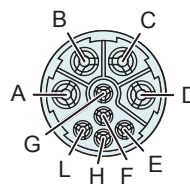


| Item              | Description                        | Item-No.                  |
|-------------------|------------------------------------|---------------------------|
| P04-48x240F/150-C | Linear motor P04-48, 150 mm Stroke | <a href="#">0150-2745</a> |

**CONNECTOR**

| Motor Connector Wiring | C-Connector |                        |
|------------------------|-------------|------------------------|
|                        | C-Connector | Wire Color Motor Cable |
| Ph 1+                  | A           | red                    |
| Ph 1-                  | B           | pink                   |
| Ph 2+                  | C           | blue                   |
| Ph 2-                  | D           | grey                   |
| +5VDC                  | E           | white                  |
| GND                    | F           | Inner Shield           |
| Sinus                  | G           | yellow                 |
| Cosinus                | H           | green                  |
| Temp.                  | L           | black                  |
| Shield                 | Gehäuse     | Outer Shield           |

**C-Connector**



View: Motor connector, plug on