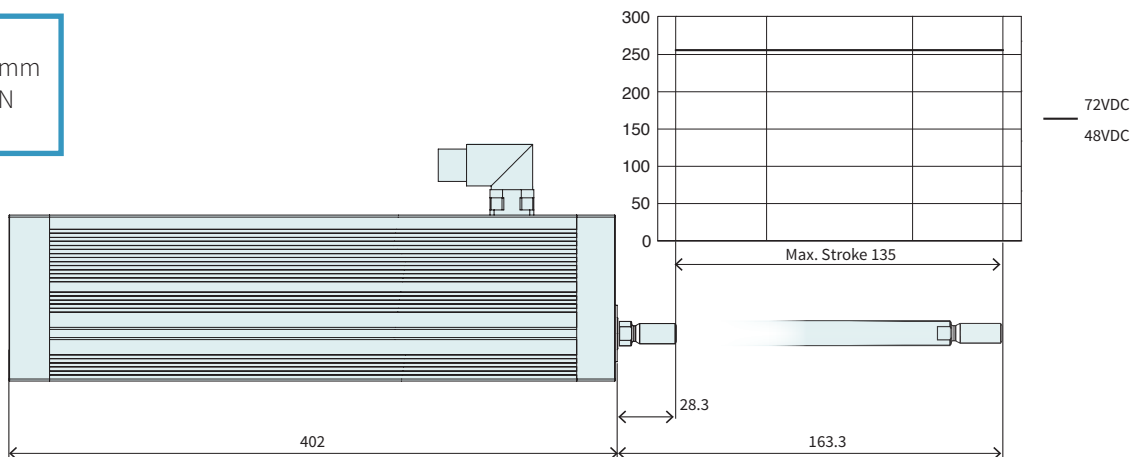


P04-37x120F/135-HP-R

Max. Stroke: 135 mm
Peak Force: 255 N



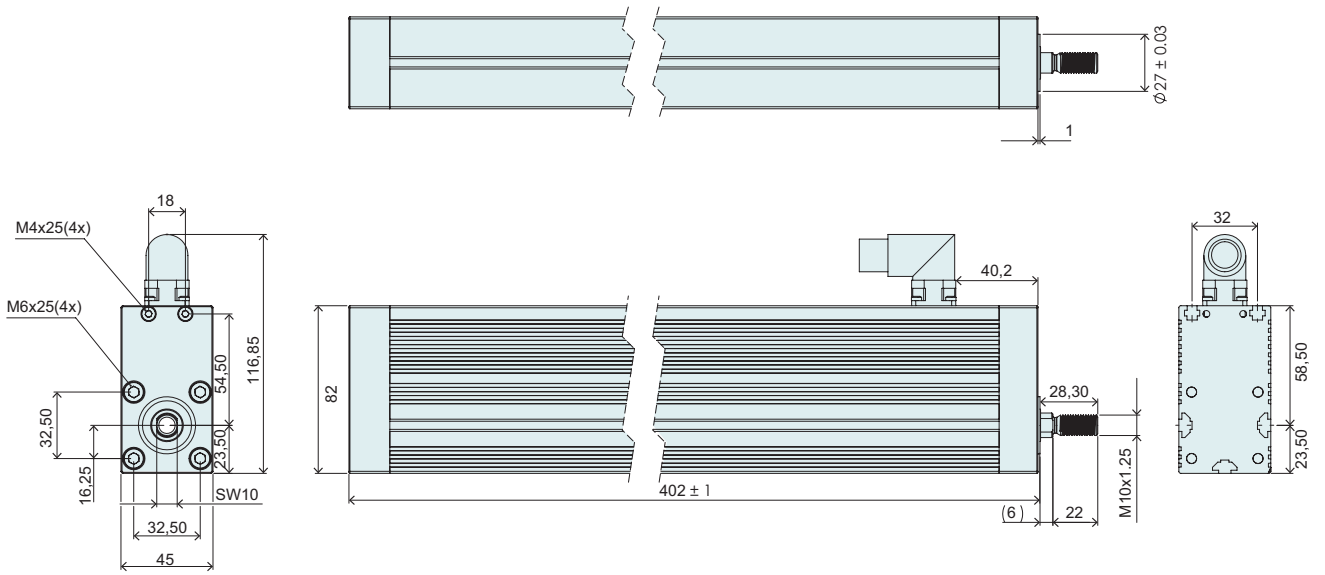
Dimensions in mm

Technical Data P04-37x120F/135-HP-R

Stroke			
Max. Stroke	mm (in)	135 (5.3)	
Force			
Max. Force @ 48VDC	N (lbf)	255 (57.3)	
Max. Force @ 72VDC	N (lbf)	255 (57.3)	
Max. Cont. Force [Passive cooling / Fan / Fluid]	N (lbf)	63 / 93 / - (14 / 21 / -)	
Force Constant	N/A _{pk} (lbf/A _{pk})	17 (3.82)	
Velocity			
Max. Velocity @ 48VDC	m/s (in/s)	2.5 (99.9)	
Max. Velocity @ 72VDC	m/s (in/s)	3.8 (149.9)	
Position Detection			
Position Resolution	mm (in)	0.005 (0.0002)	
Repeatability	mm (in)	±0.05 (±0.002)	
Linearity	%	± 0.4	
Electrical Data			
Max. Current @ 48VDC	A _{pk}	14.9	
Max. Current @ 72VDC	A _{pk}	14.9	
Max. Cont. Current [Passive cooling / Fan / Fluid]	A _{pk}	3.7 / 5.5 / -	
Terminal Resistance 25 °C / 150 °C	Ohm	2.4 / 3.5	
Terminal Inductivity	mH	1.6	
Magnetic Period	mm (in)	40	(1.57)
Thermal Data			
Max. Winding Temperature (Sensor)	°C	120	
Thermal Resistance [Passive cooling / Fan / Fluid]	°K/W	1.7 / 0.78 / -	
Thermal Time Constant [Passive cooling / Fan / Fluid]	s	680 / 310 / -	
Mechanical Data			
Stator Width	mm (in)	45 (1.77)	
Stator Height	mm (in)	82 (3.23)	
Stator Length	mm (in)	402 (15.83)	
Stator Mass	g (lb)	2675 (5.89)	
Rod Diameter	mm (in)	16 (0.63)	
Rod Mass	g (lb)	625 (1.38)	
Max. shear force to the rod	N (lbf)	60 (13.5)	
Max. torque to the rod	Nm (lbf·in)	1 (8.93)	
IP Code		IP 65*	

*static (linear movement paused)

MOTOR

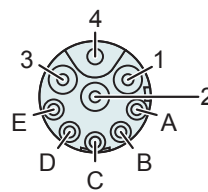


Item	Description	Item-No.
P04-37x120F/135-HP-R	Linear motor P04-37, 135 mm Stroke	0150-2738

CONNECTOR

Motor Connector Wiring	R-Connector	Wire Color Motor Cable
	Ph 1+	
Ph 1-	2	pink
Ph 2+	3	blue
Ph 2-	4	grey
+5VDC	A	white
GND	B	Inner Shield
Sinus	C	yellow
Cosinus	D	green
Temp.	E	black
Shield	Case	Outer Shield

R-Connector



View: Motor connector, plug on