

# LINEAR MOTORS P01-48x360F-SSC



- ✓ Stainless steel housing EN 1.4404 / AISI / SAE 316L
- ✓ Hygienic design
- ✓ Welded connections, no gaskets
- ✓ Completely encapsulated
- ✓ Protection class IP69K
- ✓ Optional integrated water cooling
- ✓ For use in the food or in the pharmaceutical sector

## LINEAR MOTORS P01-48x360F-SSC

<b>Technical Data</b>	<b>659</b>
-----------------------	------------

### Motor Specifications

P01-48x360F/80-PB25-SSC	<b>662</b>
P01-48x360F/170-PB25-SSC	<b>663</b>
P01-48x360F/260-PB25-SSC	<b>664</b>
P01-48x360F/380-PB25-SSC	<b>665</b>
P01-48x360F/470-PB25-SSC	<b>666</b>
P01-48x360F/680-PB25-SSC	<b>667</b>
P01-48x360F/860-PB25-SSC	<b>668</b>

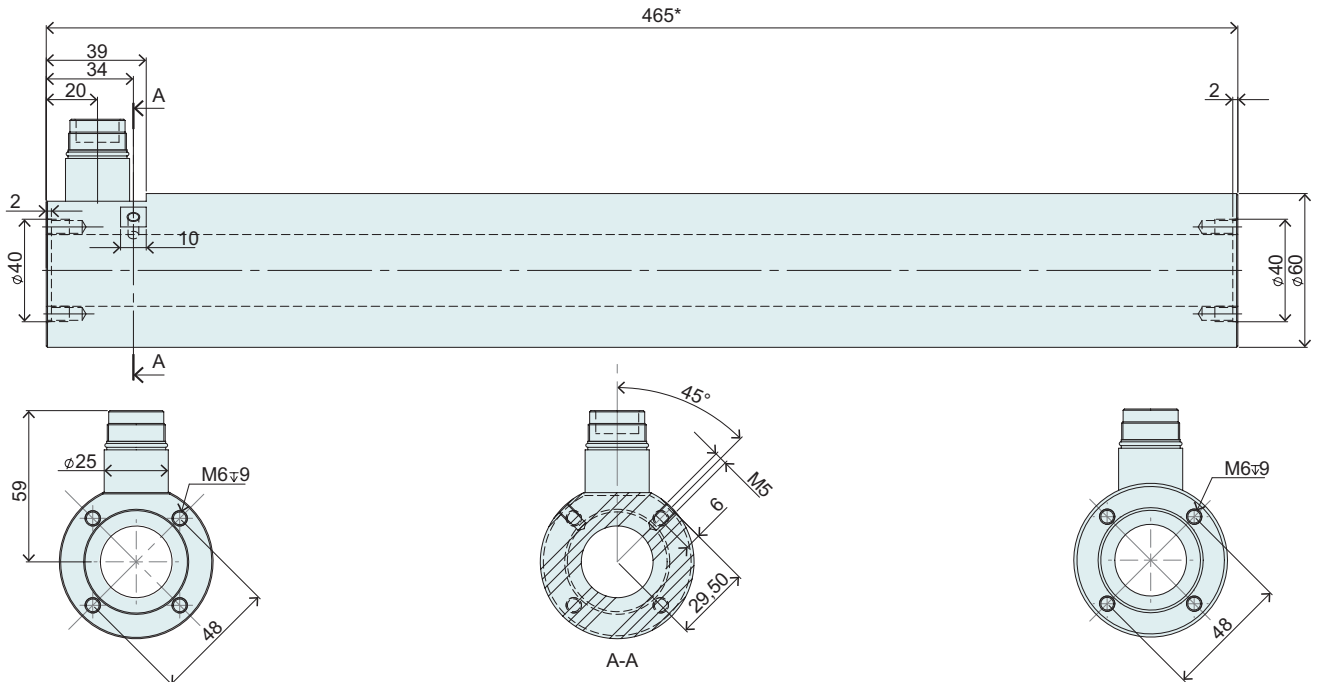
<b>Accessories</b>	<b>669</b>
--------------------	------------



### MOTOR FAMILY P01-48x360F-SSC

Technical Data				
<b>Stroke</b>				
Max. Stroke	mm	(in)	860	(33.9)
<b>Force</b>				
Max. Force @ 48VDC	N	(lbf)	721	(162)
Max. Force @ 72VDC	N	(lbf)	721	(162)
Max. Cont. Force [Passive cooling/ Fan / Fluid]	N	(lbf)	130 / - / 350	(29 / - / 80)
Max. Border Force relative	%		≤ 100	
Force Constant	N/A <sub>pk</sub>	(lbf/A <sub>pk</sub> )	27.7	(6.24)
<b>Velocity</b>				
Max. Velocity @ 48VDC	m/s	(in/s)	1.6	(62.9)
Max. Velocity @ 72VDC	m/s	(in/s)	2.3	(93.9)
<b>Position Detection</b>				
Position Resolution	mm	(in)	0.007	(0.0003)
Repeatability	mm	(in)	±0.05	(±0.002)
Position Resolution with ES	mm	(in)	0.001	(0.00004)
Repeatability with ES	mm	(in)	±0.01	(±0.0004)
Linearity with ES	mm	(in)	±0.01	(±0.0004)
<b>Electrical Data</b>				
Max. Current @ 48VDC	A <sub>pk</sub>		25.9	
Max. Current @ 72VDC	A <sub>pk</sub>		25.9	
Max. Cont. Current [Passive cooling / Fan / Fluid]	A <sub>pk</sub>		4.6 / - / 13	
Terminal Resistance 25 °C / 120 °C	Ohm		1.4 / 1.9	
Terminal Inductivity	mH		1.6	
Magnetic Period	mm	(in)	60	(2.35)
<b>Thermal Data</b>				
Max. Winding Temperature (Sensor)	°C		90	
Thermal Resistance [Passive cooling / Fan / Fluid]	°K/W		1.3 / - / 0.17	
Thermal Time Constant [Passive cooling / Fan / Fluid]	s		1900 / - / 240	
<b>Mechanical Data</b>				
Stator Diameter	mm	(in)	60	(2.4)
Stator Length [Connector type / Cable type]	mm	(in)	515	(20)
Stator Mass	g	(lb)	5560	(12.23)
Slider Diameter	mm	(in)	27	(1.1)
Slider Length	mm	(in)	500 - 1400	(20 - 55)
Slider Mass	g	(lb)	2010 - 5910	(4.42 - 13)
IP Code			IP 69k	

**STATOR**



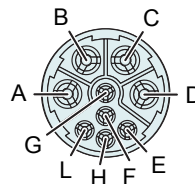
\* Length without bearing

Item	Description	Item-No.
PS01-48x360F-SSC-C	Stator Stainless Steel IP69K	<a href="#">0150-1270</a>
PS01-48x360F-SSC-C-FC	Stator stainless steel IP69K, FC	<a href="#">0150-1271</a>

**CONNECTOR**

Motor Connector Wiring	PS01-48x360F-SSC-C PS01-48x360F-SSC-C-FC	Wire Color Motor Cable
	C-Connector	
Ph 1+	A	red
Ph 1-	B	pink
Ph 2+	C	blue
Ph 2-	D	grey
+5VDC	E	white
GND	F	inner Shield
Sinus	G	yellow
Cosinus	H	green
Temp.	L	black
Shield	Case	outer Shield

**C-Connector**

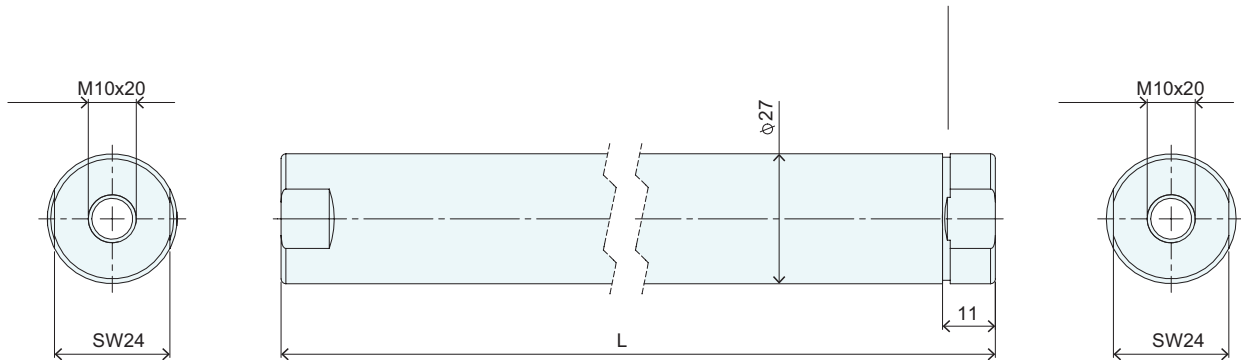


View: Motor connector, plug side

**SLIDER**

**Slider High Clearance**

Number of grooves determines the slider type (see chapter 2 / slider) and marks the front end.

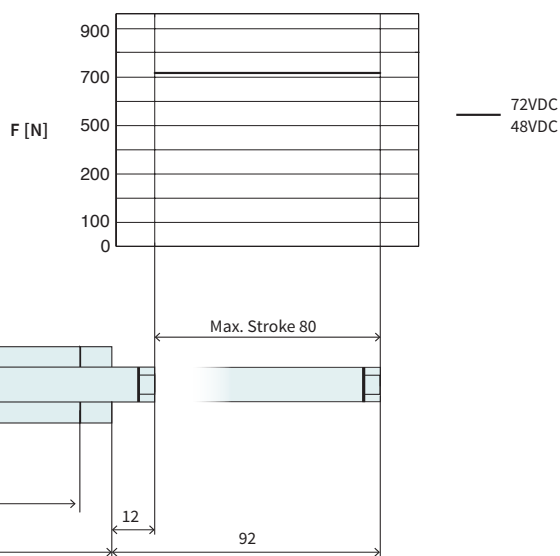


5

Slider High Clearance			
Item	Description	Max. Stroke [mm]	Item-No.
PL01-27x620/540	Slider 'High Clearance'	80	<a href="#">0150-1470</a>
PL01-27x710/630	Slider 'High Clearance'	170	<a href="#">0150-1471</a>
PL01-27x800/720	Slider 'High Clearance'	260	<a href="#">0150-1472</a>
PL01-27x920/840	Slider 'High Clearance'	380	<a href="#">0150-1447</a>
PL01-27x1010/930	Slider 'High Clearance'	470	<a href="#">0150-1473</a>
PL01-27x1220/1140	Slider 'High Clearance'	680	<a href="#">0150-1587</a>
PL01-27x1400/1320	Slider 'High Clearance'	860	<a href="#">0150-1588</a>

**P01-48x360F/80-PB25-SSC**

**Max. Stroke:** 80 mm  
**Peak Force:** 721 N



Dimensions in mm

Technical Data P01-48x360F/80-PB25-SSC

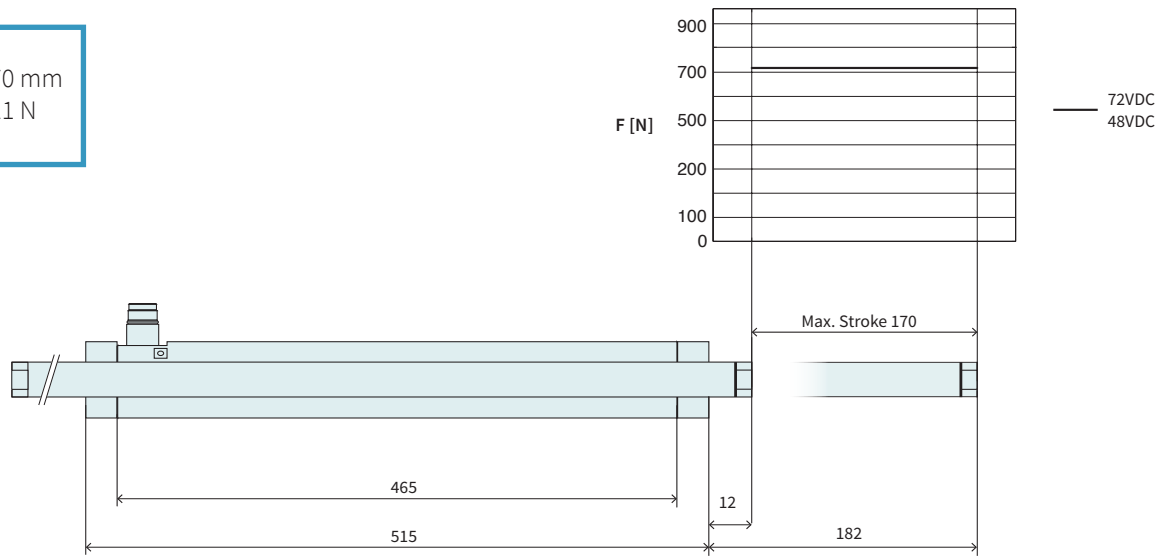
Technical Data P01-48x360F/80-PB25-SSC			
<b>Stroke</b>			
Max. Stroke	mm (in)	80	(3.14)
<b>Force</b>			
Max. Force @ 48VDC	N (lbf)	721	(162)
Max. Force @ 72VDC	N (lbf)	721	(162)
Max. Cont. Force [Passive cooling / Fan / Fluid]	N (lbf)	130 / - / 350	(29 / - / 80)
Max. Border Force relative	%	100	
Force Constant	N/A <sub>pk</sub> (lbf/A <sub>pk</sub> )	27.7	(6.24)
<b>Velocity</b>			
Max. Velocity @ 48VDC	m/s (in/s)	1.6	(62.9)
Max. Velocity @ 72VDC	m/s (in/s)	2.3	(93.9)
<b>Position Detection</b>			
Repeatability	mm (in)	±0.05	(±0.002)
Linearity	%	± 1.05	
<b>Electrical Data</b>			
Max. Current @ 48VDC	A <sub>pk</sub>	25.9	
Max. Current @ 72VDC	A <sub>pk</sub>	25.9	
Max. Cont. Current [Passive cooling / Fan / Fluid]	A <sub>pk</sub>	4.6 / - / 13	
<b>Thermal Data</b>			
Max. Winding Temperature (Sensor)	°C	90	
Thermal Resistance [Passive cooling / Fan / Fluid]	°K/W	1.3 / - / 0.17	
Thermal Time Constant [Passive cooling / Fan / Fluid]	s	1900 / - / 240	
<b>Mechanical Data</b>			
Slider Length	mm (in)	620	(24)
Slider Mass	g (lb)	2530	(5.57)



Item	Description	Item-No.
<b>PS01-48x360F-SSC-C</b>	Stator Stainless Steel IP69K	<a href="#">0150-1270</a>
<b>PS01-48x360F-SSC-C-FC</b>	Stator stainless steel IP69K, FC	<a href="#">0150-1271</a>
<b>PL01-27x620/540</b>	Slider 'High Clearance'	<a href="#">0150-1470</a>

**P01-48x360F/170-PB25-SSC**

**Max. Stroke:** 170 mm  
**Peak Force:** 721 N



Dimensions in mm

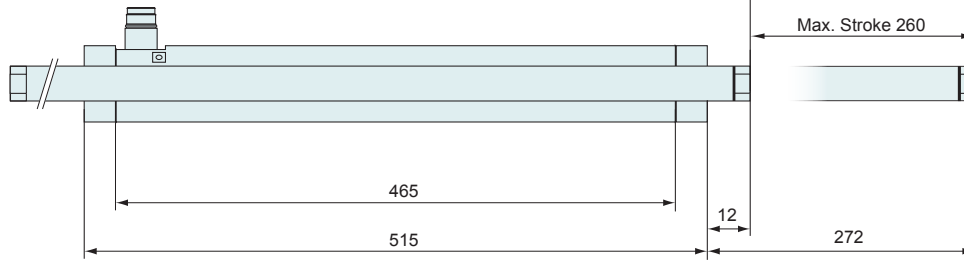
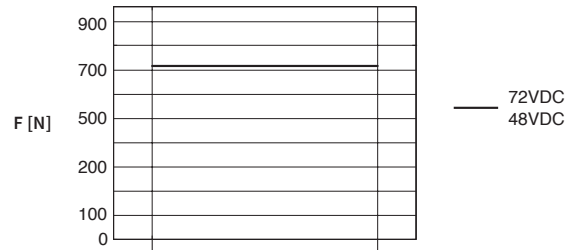
Technical Data P01-48x360F/170-PB25-SSC				
<b>Stroke</b>				
Max. Stroke	mm	(in)	170	(6.69)
<b>Force</b>				
Max. Force @ 48VDC	N	(lbf)	721	(162)
Max. Force @ 72VDC	N	(lbf)	721	(162)
Max. Cont. Force [Passive cooling / Fan / Fluid]	N	(lbf)	130 / - / 350	(29 / - / 80)
Max. Border Force relative	%		100	
Force Constant	N/A <sub>pk</sub>	(lbf/A <sub>pk</sub> )	27.7	(6.24)
<b>Velocity</b>				
Max. Velocity @ 48VDC	m/s	(in/s)	1.6	(62.9)
Max. Velocity @ 72VDC	m/s	(in/s)	2.3	(93.9)
<b>Position Detection</b>				
Repeatability	mm	(in)	±0.05	(±0.002)
Linearity	%		± 0.55	
<b>Electrical Data</b>				
Max. Current @ 48VDC	A <sub>pk</sub>		25.9	
Max. Current @ 72VDC	A <sub>pk</sub>		25.9	
Max. Cont. Current [Passive cooling / Fan / Fluid]	A <sub>pk</sub>		4.6 / - / 13	
<b>Thermal Data</b>				
Max. Winding Temperature (Sensor)	°C		90	
Thermal Resistance [Passive cooling / Fan / Fluid]	°K/W		1.3 / - / 0.17	
Thermal Time Constant [Passive cooling / Fan / Fluid]	s		1900 / - / 240	
<b>Mechanical Data</b>				
Slider Length	mm	(in)	710	(28)
Slider Mass	g	(lb)	2920	(6.42)



Item	Description	Item-No.
<b>PS01-48x360F-SSC-C</b>	Stator Stainless Steel IP69K	<a href="#">0150-1270</a>
<b>PS01-48x360F-SSC-C-FC</b>	Stator stainless steel IP69K, FC	<a href="#">0150-1271</a>
<b>PL01-27x710/630</b>	Slider 'High Clearance'	<a href="#">0150-1471</a>

**P01-48x360F/260-PB25-SSC**

**Max. Stroke:** 260 mm  
**Peak Force:** 721 N



Dimensions in mm

Technical Data P01-48x360F/260-PB25-SSC			
<b>Stroke</b>			
Max. Stroke	mm (in)	260	(10.19)
<b>Force</b>			
Max. Force @ 48VDC	N (lbf)	721	(162)
Max. Force @ 72VDC	N (lbf)	721	(162)
Max. Cont. Force [Passive cooling / Fan / Fluid]	N (lbf)	130 / - / 350	(29 / - / 80)
Max. Border Force relative	%	100	
Force Constant	N/A <sub>pk</sub> (lbf/A <sub>pk</sub> )	27.7	(6.24)
<b>Velocity</b>			
Max. Velocity @ 48VDC	m/s (in/s)	1.6	(62.9)
Max. Velocity @ 72VDC	m/s (in/s)	2.3	(93.9)
<b>Position Detection</b>			
Repeatability	mm (in)	±0.05	(±0.002)
Linearity	%	± 0.4	
<b>Electrical Data</b>			
Max. Current @ 48VDC	A <sub>pk</sub>	25.9	
Max. Current @ 72VDC	A <sub>pk</sub>	25.9	
Max. Cont. Current [Passive cooling / Fan / Fluid]	A <sub>pk</sub>	4.6 / - / 13	
<b>Thermal Data</b>			
Max. Winding Temperature (Sensor)	°C	90	
Thermal Resistance [Passive cooling / Fan / Fluid]	°K/W	1.3 / - / 0.17	
Thermal Time Constant [Passive cooling / Fan / Fluid]	s	1900 / - / 240	
<b>Mechanical Data</b>			
Slider Length	mm (in)	800	(31)
Slider Mass	g (lb)	3310	(7.28)

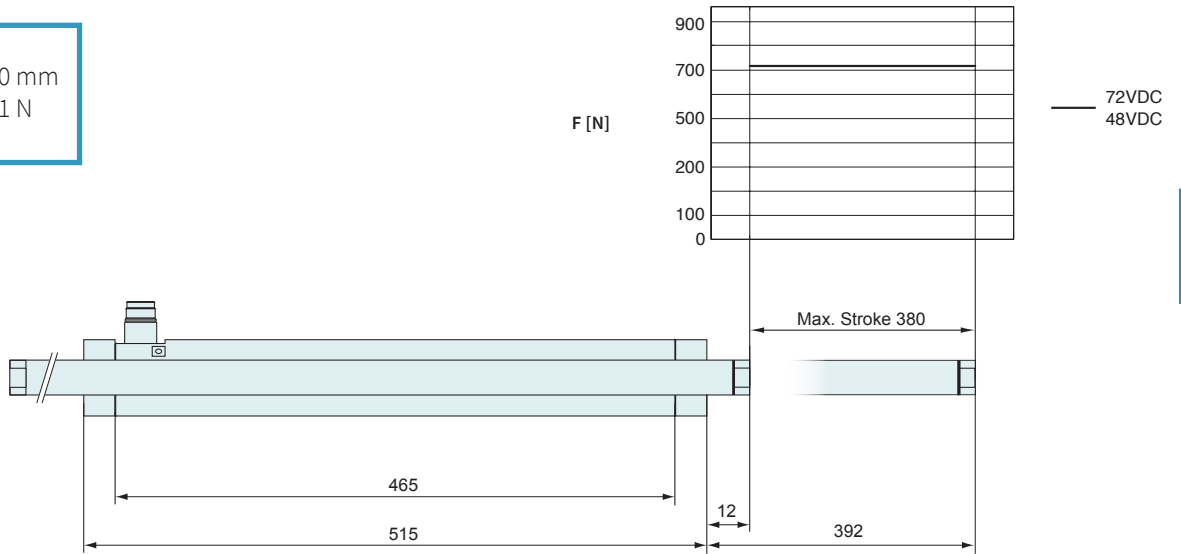


Item	Description	Item-No.
<b>PS01-48x360F-SSC-C</b>	Stator Stainless Steel IP69K	<a href="#">0150-1270</a>
<b>PS01-48x360F-SSC-C-FC</b>	Stator stainless steel IP69K, FC	<a href="#">0150-1271</a>
<b>PL01-27x800/720</b>	Slider 'High Clearance'	<a href="#">0150-1472</a>



**P01-48x360F/380-PB25-SSC**

**Max. Stroke:** 380 mm  
**Peak Force:** 721 N



Dimensions in mm

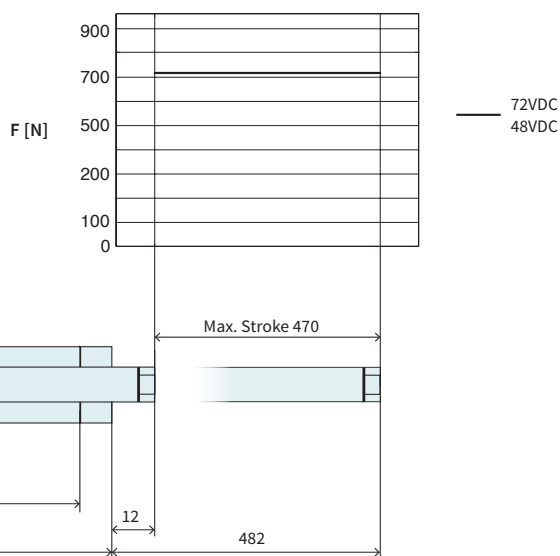
Technical Data P01-48x360F/380-PB25-SSC				
<b>Stroke</b>				
Max. Stroke	mm	(in)	380	(14.99)
<b>Force</b>				
Max. Force @ 48VDC	N	(lbf)	721	(162)
Max. Force @ 72VDC	N	(lbf)	721	(162)
Max. Cont. Force [Passive cooling / Fan / Fluid]	N	(lbf)	130 / - / 350	(29 / - / 80)
Max. Border Force relative	%		100	
Force Constant	N/A <sub>pk</sub>	(lbf/A <sub>pk</sub> )	27.7	(6.24)
<b>Velocity</b>				
Max. Velocity @ 48VDC	m/s	(in/s)	1.6	(62.9)
Max. Velocity @ 72VDC	m/s	(in/s)	2.3	(93.9)
<b>Position Detection</b>				
Repeatability	mm	(in)	±0.05	(±0.002)
Linearity	%		± 0.3	
<b>Electrical Data</b>				
Max. Current @ 48VDC	A <sub>pk</sub>		25.9	
Max. Current @ 72VDC	A <sub>pk</sub>		25.9	
Max. Cont. Current [Passive cooling / Fan / Fluid]	A <sub>pk</sub>		4.6 / - / 13	
<b>Thermal Data</b>				
Max. Winding Temperature (Sensor)	°C		90	
Thermal Resistance [Passive cooling / Fan / Fluid]	°K/W		1.3 / - / 0.17	
Thermal Time Constant [Passive cooling / Fan / Fluid]	s		1900 / - / 240	
<b>Mechanical Data</b>				
Slider Length	mm	(in)	920	(36)
Slider Mass	g	(lb)	3830	(8.43)



Item	Description	Item-No.
<b>PS01-48x360F-SSC-C</b>	Stator Stainless Steel IP69K	<a href="#">0150-1270</a>
<b>PS01-48x360F-SSC-C-FC</b>	Stator stainless steel IP69K, FC	<a href="#">0150-1271</a>
<b>PL01-27x920/840</b>	Slider 'High Clearance'	<a href="#">0150-1447</a>

**P01-48x360F/470-PB25-SSC**

**Max. Stroke:** 470 mm  
**Peak Force:** 721 N



Dimensions in mm

**Technische Daten P01-48x360F/470-PB25-SSC**

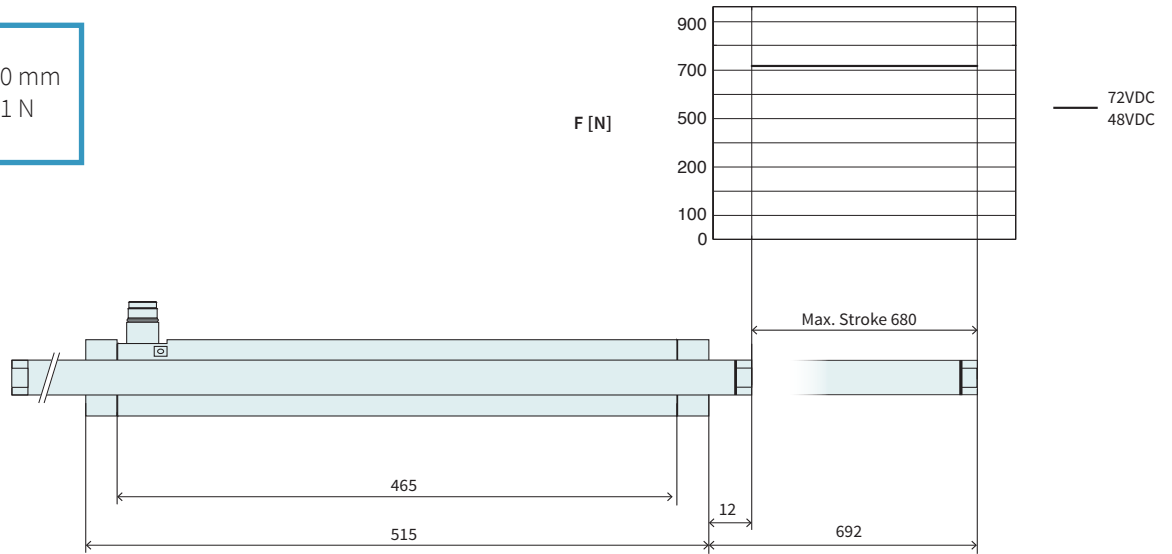
Stroke			
Max. Stroke	mm (in)	470	(18.49)
Force			
Max. Force @ 48VDC	N (lbf)	721	(162)
Max. Force @ 72VDC	N (lbf)	721	(162)
Max. Cont. Force [Passive cooling / Fan / Fluid]	N (lbf)	130 / - / 350	(29 / - / 80)
Max. Border Force relative	%	100	
Force Constant	N/A <sub>pk</sub> (lbf/A <sub>pk</sub> )	27.7	(6.24)
Velocity			
Max. Velocity @ 48VDC	m/s (in/s)	1.6	(62.9)
Max. Velocity @ 72VDC	m/s (in/s)	2.3	(93.9)
Position Detection			
Repeatability	mm (in)	±0.05	(±0.002)
Linearity	%	± 0.25	
Electrical Data			
Max. Current @ 48VDC	A <sub>pk</sub>	25.9	
Max. Current @ 72VDC	A <sub>pk</sub>	25.9	
Max. Cont. Current [Passive cooling / Fan / Fluid]	A <sub>pk</sub>	4.6 / - / 13	
Thermal Data			
Max. Winding Temperature (Sensor)	°C	90	
Thermal Resistance [Passive cooling / Fan / Fluid]	°K/W	1.3 / - / 0.17	
Thermal Time Constant [Passive cooling / Fan / Fluid]	s	1900 / - / 240	
Mechanical Data			
Slider Length	mm (in)	1010	(40)
Slider Mass	g (lb)	4220	(9.28)



Item	Description	Item-No.
<b>PS01-48x360F-SSC-C</b>	Stator Stainless Steel IP69K	<a href="#">0150-1270</a>
<b>PS01-48x360F-SSC-C-FC</b>	Stator stainless steel IP69K, FC	<a href="#">0150-1271</a>
<b>PL01-27x1010/930</b>	Slider 'High Clearance'	<a href="#">0150-1473</a>

**P01-48x360F/680-PB25-SSC**

**Max. Stroke:** 680 mm  
**Peak Force:** 721 N



Dimensions in mm

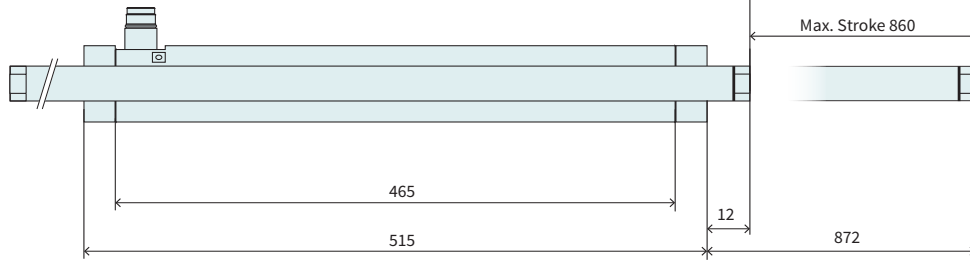
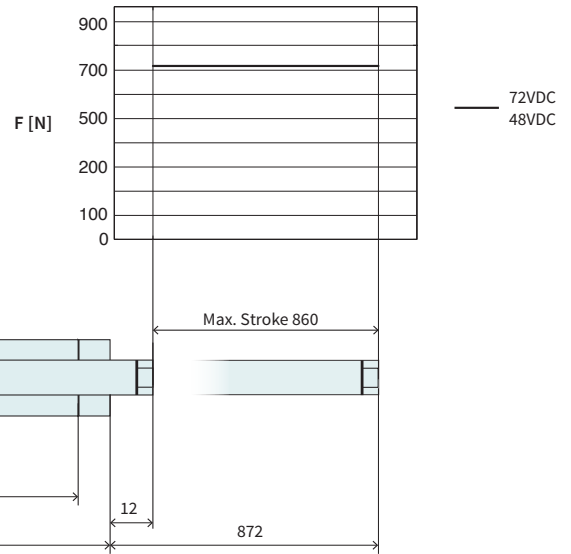
Technical Data P01-48x360F/680-PB25-SSC				
<b>Stroke</b>				
Max. Stroke	mm	(in)	680	(26.8)
<b>Force</b>				
Max. Force @ 48VDC	N	(lbf)	721	(162)
Max. Force @ 72VDC	N	(lbf)	721	(162)
Max. Cont. Force [Passive cooling / Fan / Fluid]	N	(lbf)	130 / - / 350	(29 / - / 80)
Max. Border Force relative	%		100	
Force Constant	N/A <sub>pk</sub>	(lbf/A <sub>pk</sub> )	27.7	(6.24)
<b>Velocity</b>				
Max. Velocity @ 48VDC	m/s	(in/s)	1.6	(62.9)
Max. Velocity @ 72VDC	m/s	(in/s)	2.3	(93.9)
<b>Position Detection</b>				
Repeatability	mm	(in)	±0.05	(±0.002)
Linearity	%		± 0.2	
<b>Electrical Data</b>				
Max. Current @ 48VDC	A <sub>pk</sub>		25.9	
Max. Current @ 72VDC	A <sub>pk</sub>		25.9	
Max. Cont. Current [Passive cooling / Fan / Fluid]	A <sub>pk</sub>		4.6 / - / 13	
<b>Thermal Data</b>				
Max. Winding Temperature (Sensor)	°C		90	
Thermal Resistance [Passive cooling / Fan / Fluid]	°K/W		1.3 / - / 0.17	
Thermal Time Constant [Passive cooling / Fan / Fluid]	s		1900 / - / 240	
<b>Mechanical Data</b>				
Slider Length	mm	(in)	1220	(48)
Slider Mass	g	(lb)	5130	(11.29)



Item	Description	Item-No.
<b>PS01-48x360F-SSC-C</b>	Stator Stainless Steel IP69K	<a href="#">0150-1270</a>
<b>PS01-48x360F-SSC-C-FC</b>	Stator stainless steel IP69K, FC	<a href="#">0150-1271</a>
<b>PL01-27x1220/1140</b>	Slider 'High Clearance'	<a href="#">0150-1587</a>

**P01-48x360F/860-PB25-SSC**

**Max. Stroke:** 860 mm  
**Peak Force:** 721 N



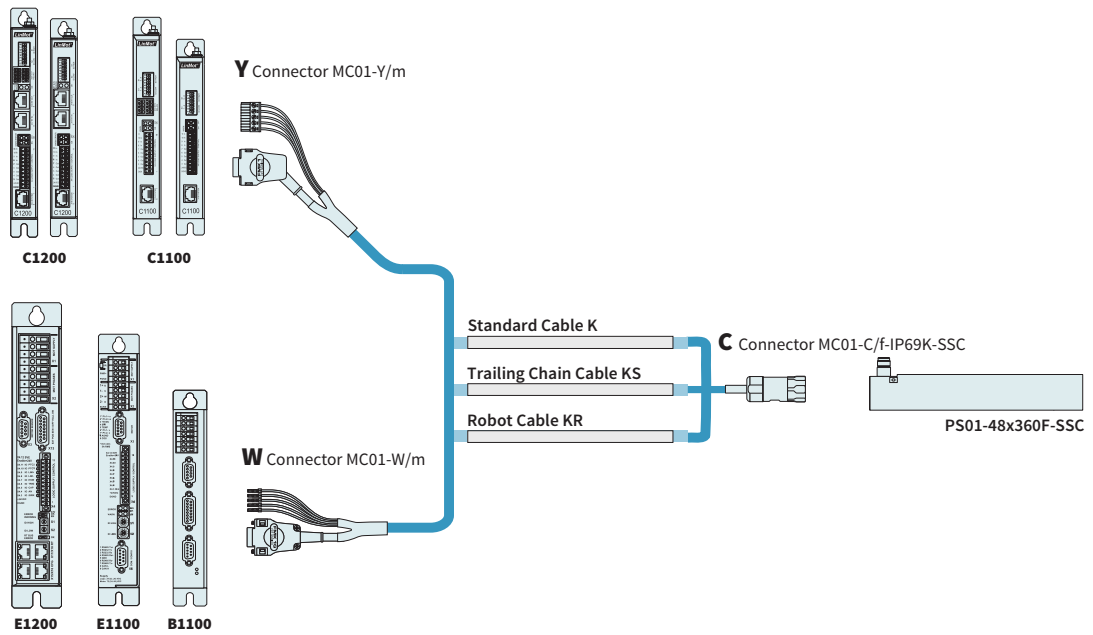
Dimensions in mm

Technical Data P01-48x360F/860-PB25-SSC			
<b>Stroke</b>			
Max. Stroke	mm (in)	860	(33.89)
<b>Force</b>			
Max. Force @ 48VDC	N (lbf)	721	(162)
Max. Force @ 72VDC	N (lbf)	721	(162)
Max. Cont. Force [Passive cooling / Fan / Fluid]	N (lbf)	130 / - / 350	(29 / - / 80)
Max. Border Force relative	%	100	
Force Constant	N/A <sub>pk</sub> (lbf/A <sub>pk</sub> )	27.7	(6.24)
<b>Velocity</b>			
Max. Velocity @ 48VDC	m/s (in/s)	1.6	(62.9)
Max. Velocity @ 72VDC	m/s (in/s)	2.3	(93.9)
<b>Position Detection</b>			
Repeatability	mm (in)	±0.05	(±0.002)
Linearity	%	± 0.2	
<b>Electrical Data</b>			
Max. Current @ 48VDC	A <sub>pk</sub>	25.9	
Max. Current @ 72VDC	A <sub>pk</sub>	25.9	
Max. Cont. Current [Passive cooling / Fan / Fluid]	A <sub>pk</sub>	4.6 / - / 13	
<b>Thermal Data</b>			
Max. Winding Temperature (Sensor)	°C	90	
Thermal Resistance [Passive cooling / Fan / Fluid]	°K/W	1.3 / - / 0.17	
Thermal Time Constant [Passive cooling / Fan / Fluid]	s	1900 / - / 240	
<b>Mechanical Data</b>			
Slider Length	mm (in)	1400	(55)
Slider Mass	g (lb)	5910	(13)



Item	Description	Item-No.
<b>PS01-48x360F-SSC-C</b>	Stator Stainless Steel IP69K	<a href="#">0150-1270</a>
<b>PS01-48x360F-SSC-C-FC</b>	Stator stainless steel IP69K, FC	<a href="#">0150-1271</a>
<b>PL01-27x1400/1320</b>	Slider 'High Clearance'	<a href="#">0150-1588</a>

**Motor Cable**



**ORDERING INFORMATION**

STANDARD CABLE		
Item	Description	Item-No.
<b>K15-W/C-SSC</b>	Motor Cable W/C-SSC, Custom length	<a href="#">0150-3539</a>
<b>K15-Y-Fe/C-SSC-</b>	Motor Cable Y-Fe/C-SSC, Custom length	<a href="#">0150-3630</a>
TRAILING CHAIN CABLE		
Item	Description	Item-No.
<b>KS10-W/C-SSC-2</b>	Trailing Chain Cable W/C-SSC, 2 m	<a href="#">0150-2675</a>
<b>KS10-W/C-SSC-4</b>	Trailing Chain Cable W/C-SSC, 4 m	<a href="#">0150-2676</a>
<b>KS10-W/C-SSC-6</b>	Trailing Chain Cable W/C-SSC, 6 m	<a href="#">0150-2677</a>
<b>KS10-W/C-SSC-8</b>	Trailing Chain Cable W/C-SSC, 8 m	<a href="#">0150-2678</a>
<b>KS10-W/C-SSC-</b>	Trailing Chain Cable W/C-SSC, Custom length	<a href="#">0150-3358</a>
<b>KS10-Y/C-SSC-2</b>	Trailing Chain Cable Y/C-SSC, 2 m	<a href="#">0150-2679</a>
<b>KS10-Y/C-SSC-4</b>	Trailing Chain Cable Y/C-SSC, 4 m	<a href="#">0150-2680</a>
<b>KS10-Y/C-SSC-6</b>	Trailing Chain Cable Y/C-SSC, 6 m	<a href="#">0150-2681</a>
<b>KS10-Y/C-SSC-8</b>	Trailing Chain Cable Y/C-SSC, 8 m	<a href="#">0150-2682</a>
<b>KS10-Y-Fe/C-SSC-</b>	Trailing Chain Cable Y/C-SSC, Custom length	<a href="#">0150-3574</a>
ROBOT CABLE		
Item	Description	Item-No.
<b>KR10-W/C-SSC-</b>	Robot Cable KR05-W/C-SSC-, Custom length	<a href="#">0150-3536</a>
CONNECTOR & CABLE (INDIVIDUAL)		
Item	Description	Item-No.
<b>MC01-W/m</b>	Motor Connector W/m	<a href="#">0150-3140</a>
<b>MC01-Y-Fe/m</b>	Motor Connector Y-Fe/m	<a href="#">0150-3289</a>
<b>MC01-C/f-IP69K-SSC</b>	Motor Connector C/f, IP69K, SSC	<a href="#">0150-3306</a>
<b>K15-04/05</b>	Motor Cable per m	<a href="#">0150-1978</a>
<b>KS10-04/05</b>	Trailing Chain Cable per m	<a href="#">0150-1977</a>
<b>KR10-04/05</b>	Robot Cable per m	<a href="#">0150-1830</a>

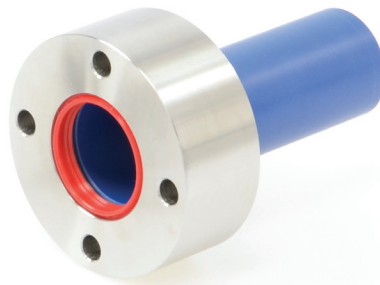
**SLIDER MOUNTING**



Item	Description	Item-No.
<b>PLF01-28-SS</b>	Fixed Bearing Set for 27 mm and 28 mm Slider, Stainless steel	<a href="#">0150-3297</a>
<b>PLL01-27</b>	Floating support for PL01-27 sliders	<a href="#">0150-3294</a>

FIND MORE PRODUCT DETAILS IN THE CHAPTER "ACCESSORIES".

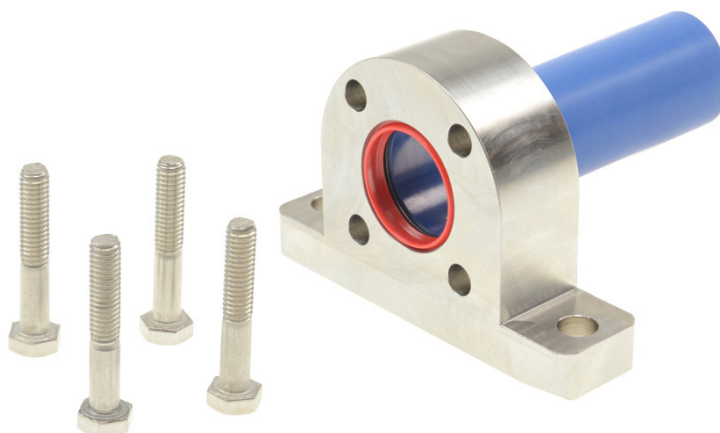
**BEARING KITS**



Item	Description	Item-No.
<b>PB01-48x25-80-P-SSC</b>	Bearing for PS01-48x360-SSC, (stainless steel)	<a href="#">0150-3413</a>

FIND MORE PRODUCT DETAILS IN THE CHAPTER "ACCESSORIES".

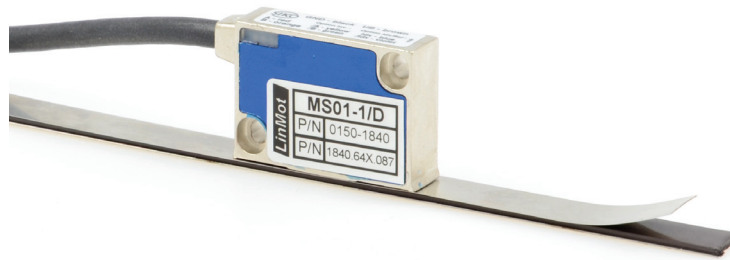
**BEARING FLANGE**



Item	Description	Item-No.
<b>PB03-48x25-80-SSC</b>	Bearing for PS01-48x...-SSC (Stainless)	<a href="#">0150-3739</a>

FIND MORE PRODUCT DETAILS IN THE CHAPTER "ACCESSORIES".

**EXTERNAL POSITION SENSORS**



Item	Description	Item-No.
<b>MS01-1/D</b>	Linear Encoder 1µm, A/B (for incremental strip)	<a href="#">0150-1840</a>
<b>MB01-1000</b>	Magnetic incremental strip for MS01-1/D, per cm	<a href="#">0150-1963</a>
<b>KS025-D/D-Encoder</b>	Special cable KS025-D/D-Encoder- (Length in m)	<a href="#">0150-3166</a>
<b>KS025-D/D15-Encoder</b>	Special cable KS025-D15/D-Encoder- (Length in m)	<a href="#">0150-3168</a>

FIND MORE PRODUCT DETAILS IN THE CHAPTER "ACCESSORIES".



Item	Description	Item-No.
<b>MS01-1/D-SSI</b>	Linear Encoder 1µm, A/B (for absolute strip)	<a href="#">0150-2095</a>
<b>MB01-1000-ABS</b>	Magnetic absolute strip for MS01-1/D-SSI (per cm)	<a href="#">0150-2096</a>
<b>EC01-ABS/ENC-12-S</b>	MS01-1/D-SSI Encoder connector straight	<a href="#">0150-3616</a>
<b>KSS01-12-D15/ABS-ENC</b>	For MS01-1/D-SSI on C1100/C1200/C1400/E1200/E1400 Drives	<a href="#">0150-3652</a>

FIND MORE PRODUCT DETAILS IN THE CHAPTER "ACCESSORIES".

Area with horizontal dotted lines for notes.