

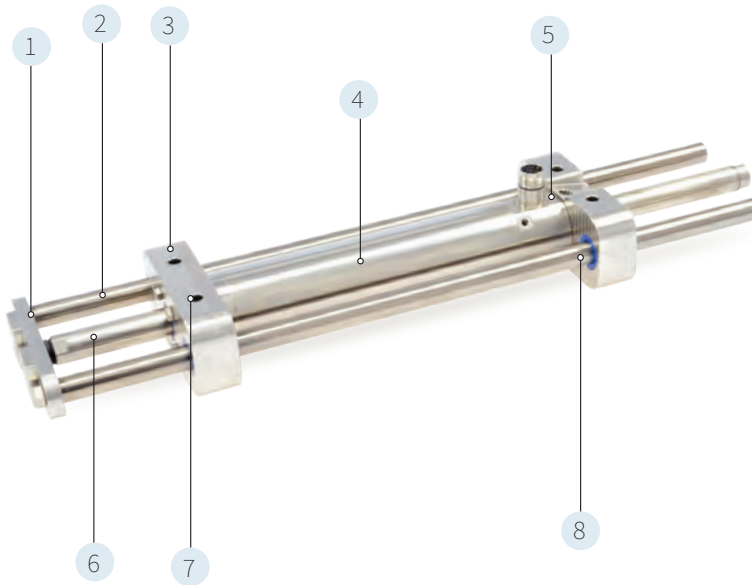
LINEAR GUIDES STAINLESS STEEL



- ✓ Bearing external forces, torque and bending moments
- ✓ Turning resistance
- ✓ Made of stainless steel (1.4404 / AISI 316)
- ✓ Hardened stainless steel guide shafts
- ✓ Sliding bearing with FDA approval
- ✓ No seals; connections are welded
- ✓ Tapered surfaces
- ✓ Motor inside is completely flushable

LINEAR GUIDES STAINLESS STEEL

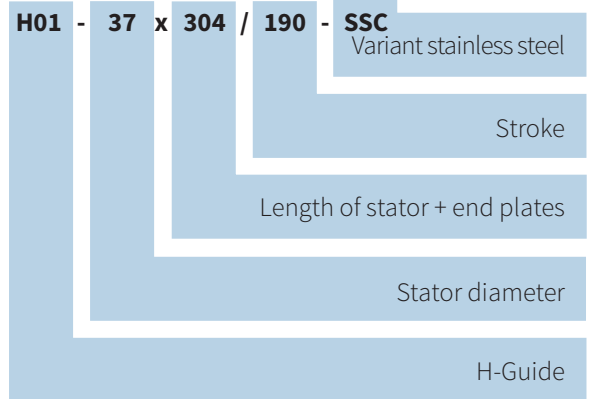
H01-37x304-SSC	_____	998
H01-48x401-SSC	_____	1000
Parts List	_____	1002



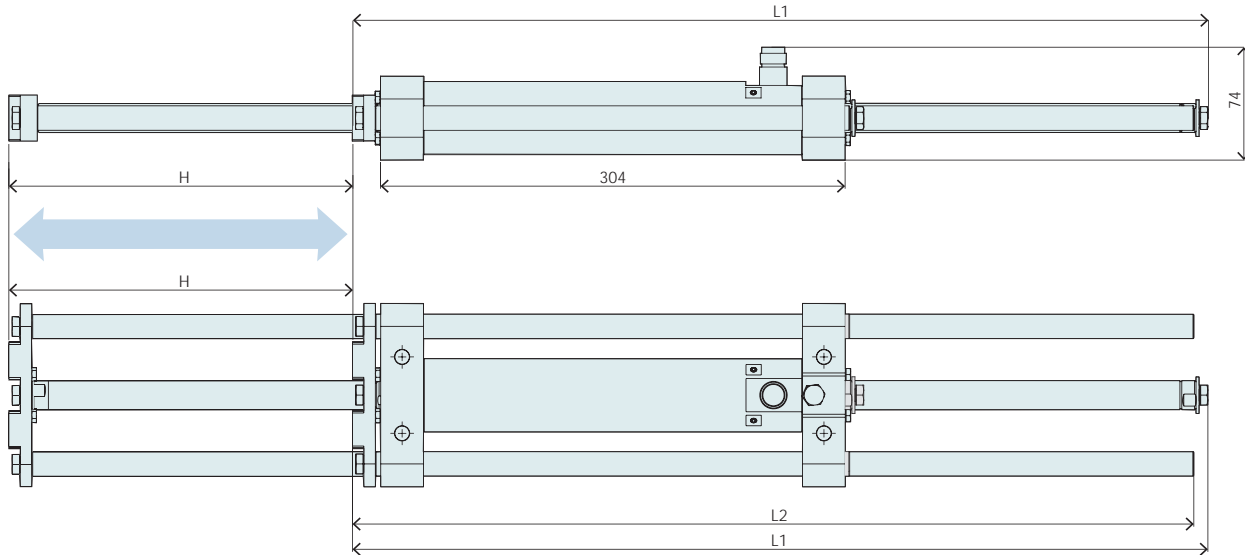
1. Mounting plate with counter bore for precise load mounting
2. Hardened or stainless steel shafts for precise positioning and quiet operation
3. Guide block for assembly of the stator and to the respective application.
4. Stator of stainless steel motor with integrated bearings, temperature and position sensors
5. Channel for flushing the motor
6. Linear motor slider, guarantees maximum force and precise positioning.
7. Centering holes for the uncomplicated and precise mounting of the linear module
8. Plastic plain bearings for special applications in the food- and medical field



Designation Linear Guides H01 Stainless Steel:



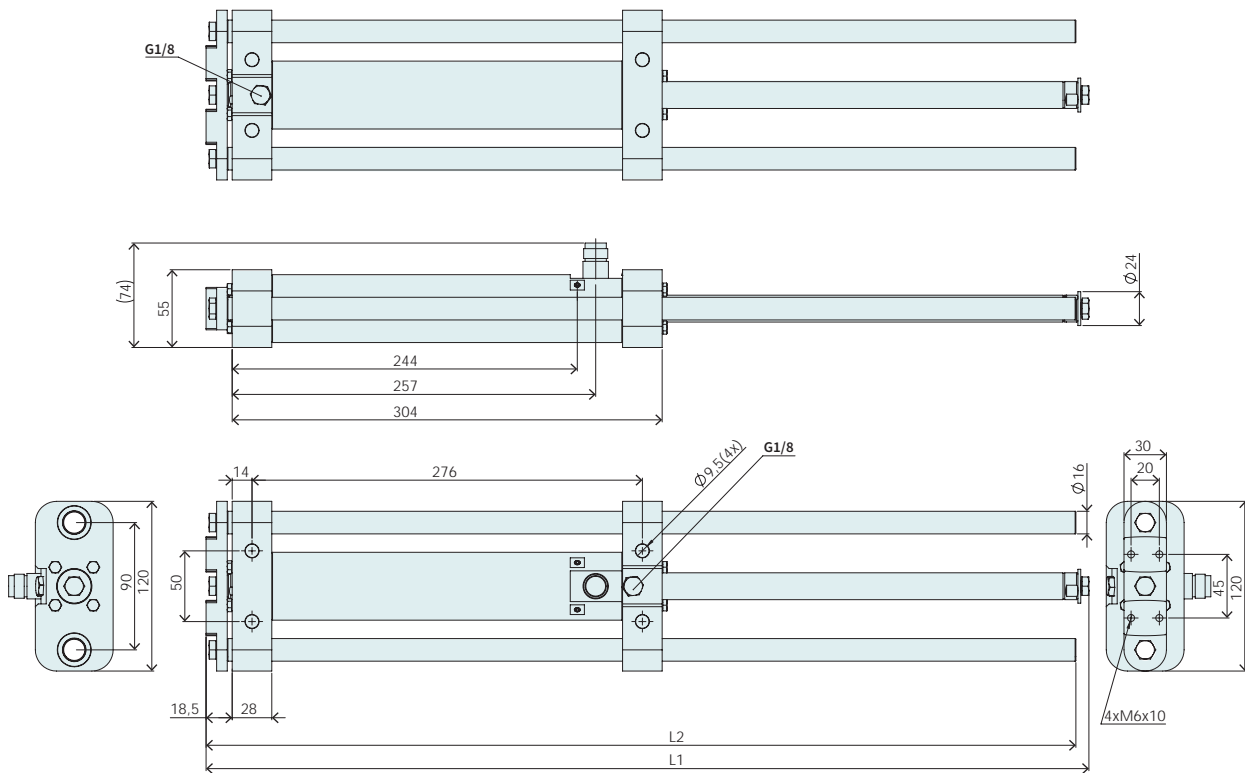
LINEAR MODULE HM01-37x120-SSC



Linear Module	Bearing type	Stroke H [mm (inch)]	Moving Parts L1 [mm (inch)]	Moving Parts L2 [mm (inch)]	Moving Mass ¹ [g (lb)]	Total Weight [g (lb)]
HM01-37x120/85-SSC	Plain Bushings	85 (3.35)	420 (16.54)	410 (16.15)	2240 (4.95)	6440 (14.23)
HM01-37x120/190-SSC	Plain Bushings	190 (7.48)	525 (20.68)	515 (20.28)	2810 (6.21)	6970 (15.40)
HM01-37x120/290-SSC	Plain Bushings	290 (11.42)	625 (24.62)	615 (24.22)	3350 (7.40)	7500 (16.57)
HM01-37x120/390-SSC	Plain Bushings	390 (15.36)	725 (28.55)	715 (28.16)	3880 (8.57)	8020 (17.72)

¹ Mass with moving slider

H-GUIDE H01-37x304-SSC



Dimensions in mm

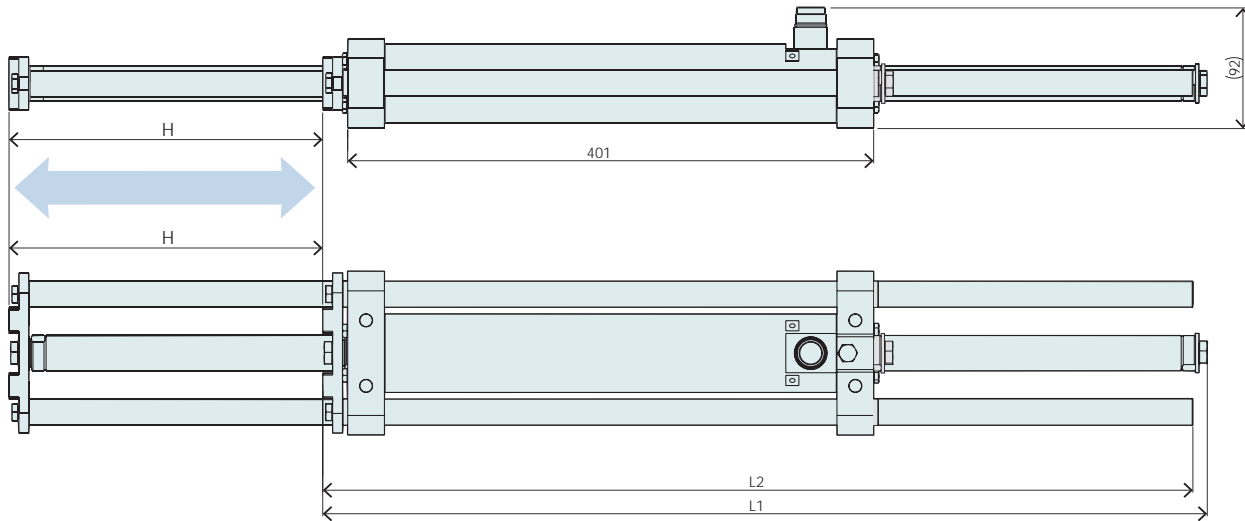
Materials	Guide Block & Front Plate	Guide Shaft	Bearing
H01-37x304/...-SSC Plain Bushings	Stainless Steel 1.4401 / 316 L	Stainless Steel 1.4435 / 316 L	Techtron HPV

13

ORDERING INFORMATION

HM01-37x120/85-SSC		Linear Module 37x120-SSC with 85 mm Stroke		
→	Linear Guide	H01-37x304/85-SSC	H-Guide for PS01-37x120F-HP-SSC, Stroke max 85 mm	0150-5271
→	Stator	PS01-37x120F-HP-SSC-R	Stator Stainless Steel IP69K	0150-1282
		PS01-37x120F-HP-SSC-R-FC	Stator Stainless Steel IP69K, FC	0150-1283
→	Slider	PL01-19x395/320	Slider 'high clearance'	0150-1452
HM01-37x120/190-SSC		Linear Module 37x120-SSC with 190 mm Stroke		
→	Linear Guide	H01-37x304/190-SSC	H-Guide for PS01-37x120F-HP-SSC, Stroke max 190 mm	0150-5272
→	Stator	PS01-37x120F-HP-SSC-R	Stator Stainless Steel IP69K	0150-1282
		PS01-37x120F-HP-SSC-R-FC	Stator Stainless Steel IP69K, FC	0150-1283
→	Slider	PL01-19x500/420	Slider 'high clearance'	0150-1455
HM01-37x120/290-SSC		Linear Module 37x120-SSC with 290 mm Stroke		
→	Linear Guide	H01-37x304/290-SSC	H-Guide for PS01-37x120F-HP-SSC, Stroke max 290 mm	0150-5273
→	Stator	PS01-37x120F-HP-SSC-R	Stator Stainless Steel IP69K	0150-1282
		PS01-37x120F-HP-SSC-R-FC	Stator Stainless Steel IP69K, FC	0150-1283
→	Slider	PL01-19x600/520	Slider 'high clearance'	0150-1456
HM01-37x120/390-SSC		Linear Module 37x120-SSC with 390 mm Stroke		
→	Linear Guide	H01-37x304/390-SSC	H-Guide for PS01-37x120F-HP-SSC, Stroke max 390 mm	0150-5274
→	Stator	PS01-37x120F-HP-SSC-R	Stator Stainless Steel IP69K	0150-1282
		PS01-37x120F-HP-SSC-R-FC	Stator Stainless Steel IP69K, FC	0150-1283
→	Slider	PL01-19x700/620	Slider 'high clearance'	0150-1457

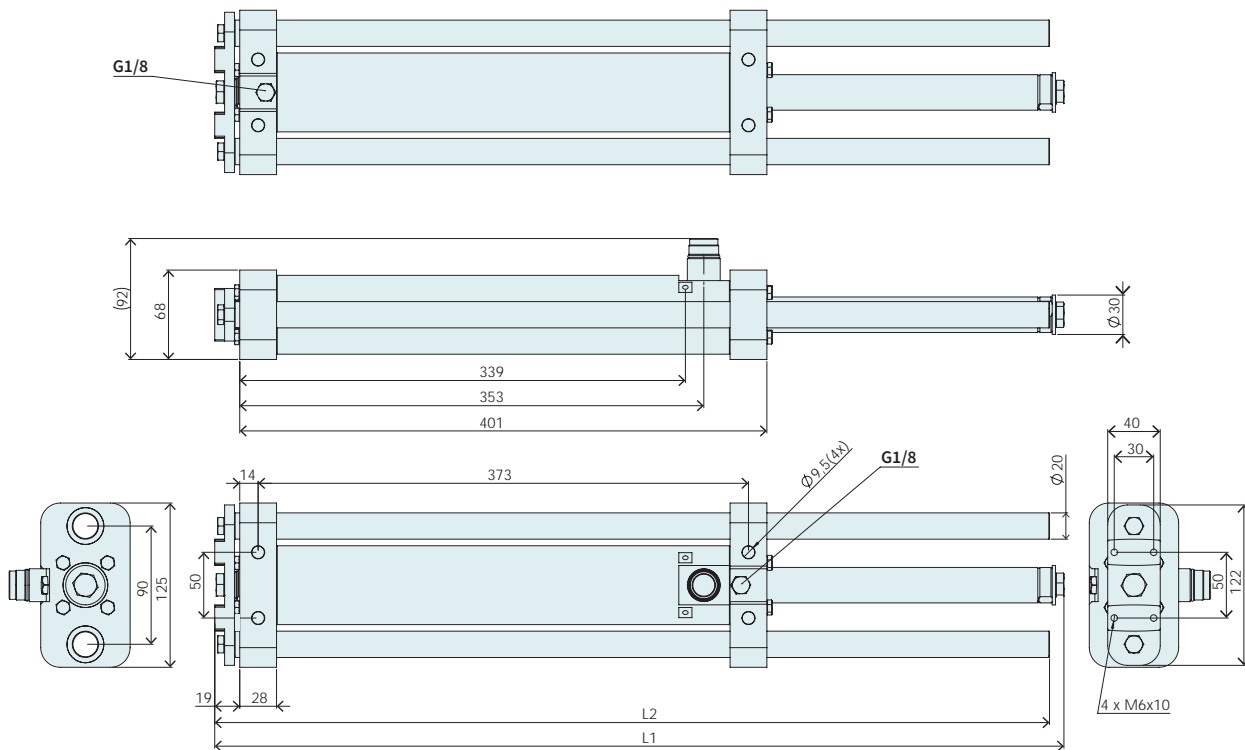
LINEAR MODULE HM01-48x240-SSC



Linear Module	Bearing type	Stroke H [mm (inch)]	Moving Parts L1 [mm (inch)]	Moving Parts L2 [mm (inch)]	Moving Mass ¹ [g (lb)]	Total Weight [g (lb)]
HM01-48x240/210-SSC	Plain Bushings	210 (8.27)	646 (25.44)	637 (25.09)	5970 (13.19)	12200 (26.95)
HM01-48x240/300-SSC	Plain Bushings	300 (11.82)	736 (29.0)	727 (28.63)	7380 (16.30)	13030 (28.78)
HM01-48x240/390-SSC	Plain Bushings	390 (15.36)	826 (32.53)	817 (32.18)	8260 (18.25)	13860 (30.62)
HM01-48x240/510-SSC	Plain Bushings	510 (20.09)	946 (37.26)	937 (36.90)	9520 (21.03)	14980 (33.09)

¹ Mass with moving slider

H-GUIDE H01-48x401-SSC

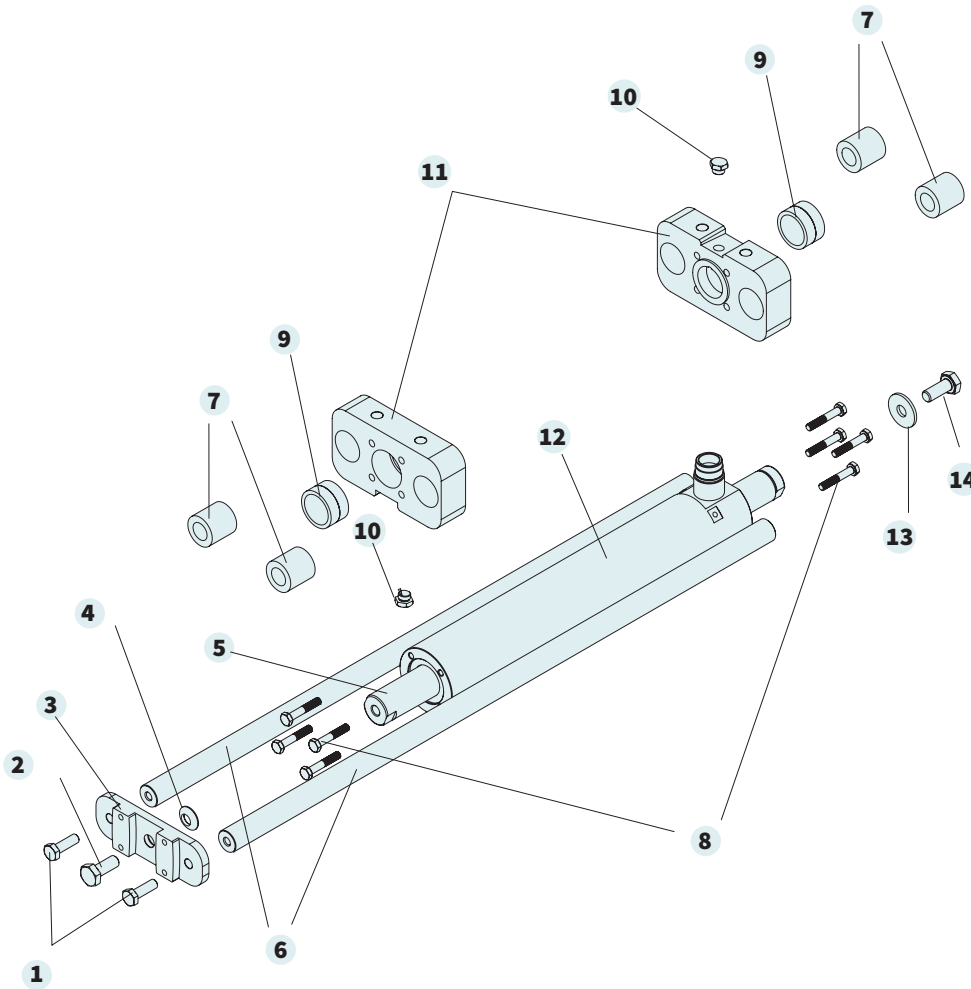


Dimensions in mm

Materials	Guide Block & Front Plate	Guide Shaft	Bearing
H01-48x401/...-SSC Plain Bushings	Stainless Steel 1.4401 / 316 L	Stainless Steel 1.4435 / 316 L	Techtron HPV

ORDERING INFORMATION

HM01-48x240/210-SSC	Linear Module 48x240-SSC with 210 mm Stroke			
→ Linear Guide	H01-48x401/210-SSC	H-Guide for PS01-48x240F-HP-SSC, Stroke max.210 mm	0150-5280	
→ Stator	PS01-48x240F-SSC-C	Stator Stainless Steel IP69K	0150-1267	
	PS01-48x240F-SSC-C-FC	Stator Stainless Steel IP69K, FC	0150-1268	
→ Slider	PL01-27x620/540	Slider 'high clearance'	0150-1470	
HM01-48x240/300-SSC	Linear Module 48x240-SSC with 300 mm Stroke			
→ Linear Guide	H01-48x401/300-SSC	H-Guide for PS01-48x240F-HP-SSC, Stroke max.300 mm	0150-5281	
→ Stator	PS01-48x240F-SSC-C	Stator Stainless Steel IP69K	0150-1267	
	PS01-48x240F-SSC-C-FC	Stator Stainless Steel IP69K, FC	0150-1268	
→ Slider	PL01-27x710/630	Slider 'high clearance'	0150-1471	
HM01-48x240/390-SSC	Linear Module 48x240-SSC with 390 mm Stroke			
→ Linear Guide	H01-48x401/390-SSC	H-Guide for PS01-48x240F-HP-SSC, Stroke max.390 mm	0150-5282	
→ Stator	PS01-48x240F-SSC-C	Stator Stainless Steel IP69K	0150-1267	
	PS01-48x240F-SSC-C-FC	Stator Stainless Steel IP69K, FC	0150-1268	
→ Slider	PL01-27x800/720	Slider 'high clearance'	0150-1472	
HM01-48x240/510-SSC	Linear Module 48x240-SSC with 510 mm Stroke			
→ Linear Guide	H01-48x401/510-SSC	H-Guide for PS01-48x240F-HP-SSC, Stroke max.510 mm	0150-5283	
→ Stator	PS01-48x240F-SSC-C	Stator Stainless Steel IP69K	0150-1267	
	PS01-48x240F-SSC-C-FC	Stator Stainless Steel IP69K, FC	0150-1268	
→ Slider	PL01-27x920/840	Slider 'high clearance'	0150-1447	



PARTS LIST

Linear Guide	H01-37x304-SSC		H01-48x401-SSC	
1 Shaft screw	ISO 4017 M8 x 25 INOX A4		ISO 4017 M8 x 25 INOX A4	
2 Slider screw (front)	ISO 4017 M8 x 25 INOX A4		ISO 4017 M10 x 25 INOX A4	
3 Front plate	0160-0518		0160-0521	
4 Socket washer	DIN 6319 c / M8 INOX		DIN 6319 c / M10 INOX	
5 Slider	PL01-19x...	Art-Nr.	PL01-27x...	Art-Nr.
	500/420	0150-1455	620/540	0150-1470
	600/520	0150-1456	710/630	0150-1471
	700/620	0150-1457	800/720	0150-1472
			920/840	0150-1447
6 Stainless steel shaft	HL01-16x...	Art-Nr.	HL01-20x...	Art-Nr.
	500-SSC	0150-5268	620-SSC	0150-5275
	600-SSC	0150-5269	710-SSC	0150-5276
	700-SSC	0150-5270	800-SSC	0150-5277
			920-SSC	0150-5278
7 Plain bushing (stainless steel shaft)	Pos. 7 + Pos. 9 0150-5299		Pos. 7 + Pos. 9 0150-5300	
8 Screws	ISO 4017 M5 x 35 INOX A4		ISO 4017 M6 x 35 INOX A4	
9 Plain bushing (slider)	Pos. 7 + Pos. 9 0150-5299		Pos. 7 + Pos. 9 0150-5300	
10 Hexagonal plug	0160-0336		0160-0336	
11 End plate	0160-0515		0160-0520	
12 Stator	Typ	Art-Nr.	Typ	Art-Nr.
	PS01-37x120F-HP-SSC-R	0150-1282	PS01-48x240F-SSC-C	0150-1267
	PS01-37x120F-HP-SSC-R-FC	0150-1283	PS01-48x240F-SSC-C-FC	0150-1268
13 Washer	8.4x24/2 INOX A4		10.5x30/2.5 INOX A4	
14 Slider screw (rear)	ISO 4017 M8 x 20 INOX A4		ISO 4017 M10 x 12 INOX A4	