

## Bearing kits

Linear motors in the P10 model series are used under challenging conditions. For fast, uncomplicated maintenance, these types of motors are equipped with replaceable slider bearings. The integrated sliding bearings are easy to replace in a few manual steps.



### COMPLETE BEARING KIT

Bearing kits for P10 motors consist of plastic bearing sleeves that are installed over the entire length of the stator. For the larger P10-70 motors, these sliding bearings are already installed in a complete stainless steel tube.

In addition to the bearings themselves, each installation kit contains both stator end pieces (front/rear) with integrated wipers. The bearing is thus protected from external contamination.

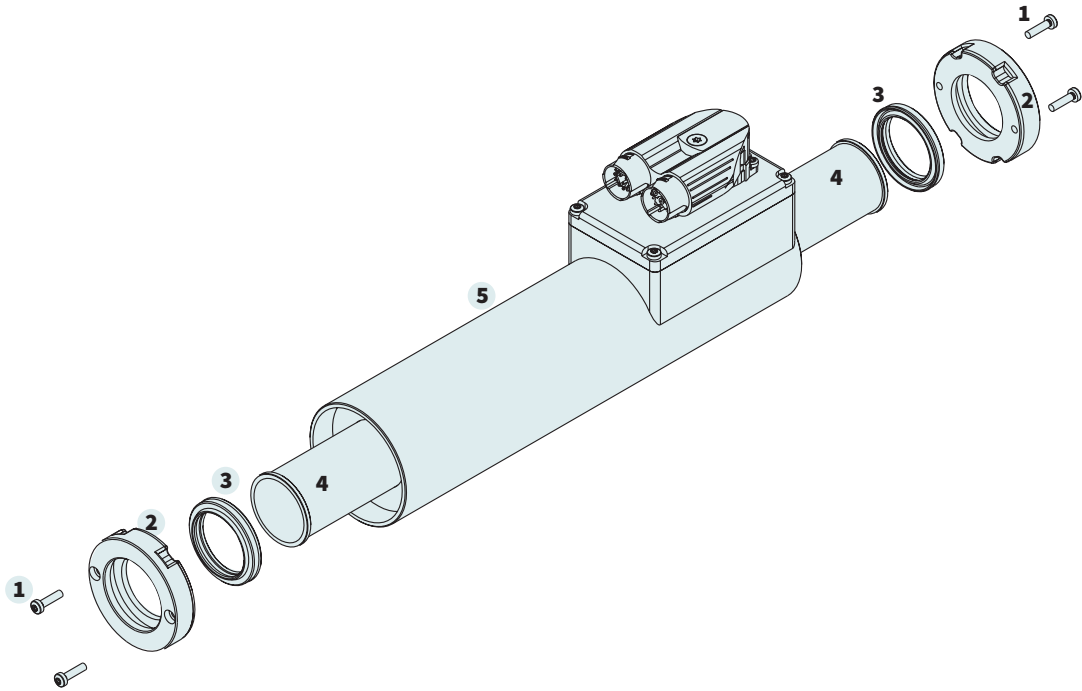


Bearing kit PB10-54



Bearing kit PB10-70

**PB10-54**

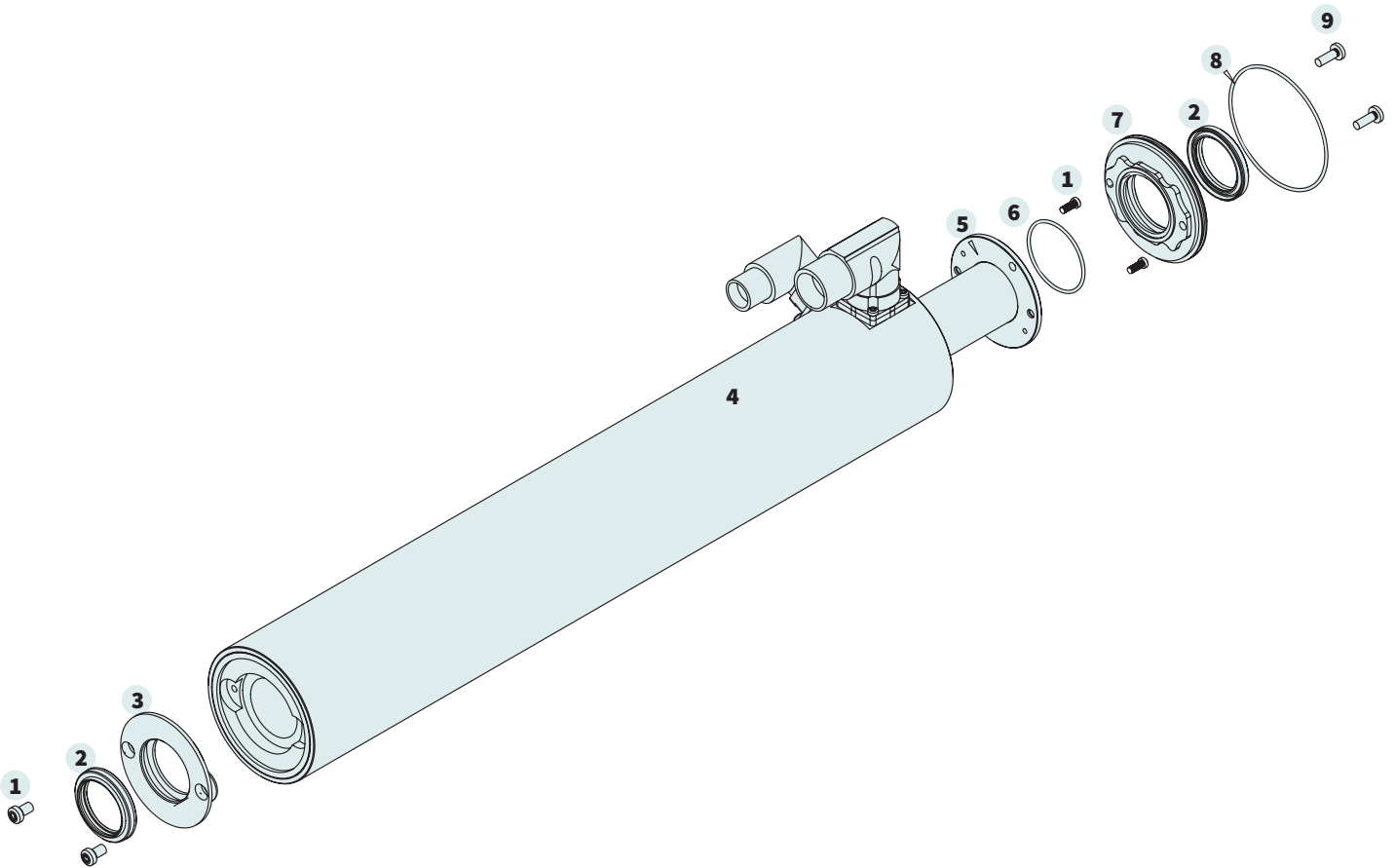


PARTS LIST	
Pos	Description
1	Pan head screw stainless steel
2	Stator end piece
3	Wiper
4	Bearing bushing
5	Stator

**ORDERING INFORMATION**

Item	Description	Item-No.
<b>PB10-54x120-L</b>	Bearing kit for PS10-54x120	0150-3671
<b>PB10-54x180-L</b>	Bearing kit for PS10-54x180	0150-3672
<b>PB10-54x240-L</b>	Bearing kit for PS10-54x240	0150-3673
<b>PB10-54x300-L</b>	Bearing kit for PS10-54x300	0150-3674

**PB10-70**



PARTS LIST	
Pos	Description
1	Pan head screw stainless steel
2	Wipers
3	Stator end piece front
4	Stator
5	Bearing tube
6	O-Ring 33 x 1.5 mm ISO 3601
7	Stator end piece rear
8	O-Ring 60 x 1.5 mm ISO 3601
9	Pan head screw stainless steel

**ORDERING INFORMATION**

Item	Description	Item-No.
<b>PB10-70x80-L</b>	Bearing kit for PS10-70x80	0150-3431
<b>PB10-70x160-L</b>	Bearing kit for PS10-70x160	0150-3432
<b>PB10-70x240-L</b>	Bearing kit for PS10-70x240	0150-3433
<b>PB10-70x320-L</b>	Bearing kit for PS10-70x320	0150-3434
<b>PB10-70x400-L</b>	Bearing kit for PS10-70x400	0150-3435