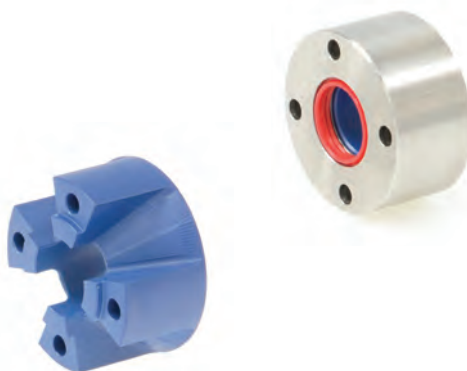


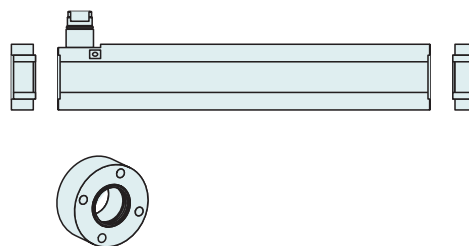
## Bearing kits

Linear motors in the INOX and ATEX model series are used under challenging conditions. For fast, uncomplicated maintenance, these types of motors are equipped with replaceable slider bearings. Two types of bearings are available. One is a stainless steel version and the other is a plastic bearing.



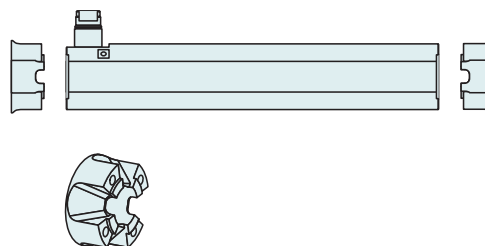
### STAINLESS STEEL BEARINGS

Stainless steel bearings are simply attached to the stator with 4 socket head cap screws. The integrated plastic sleeves guarantee optimal support and guidance for the slider.

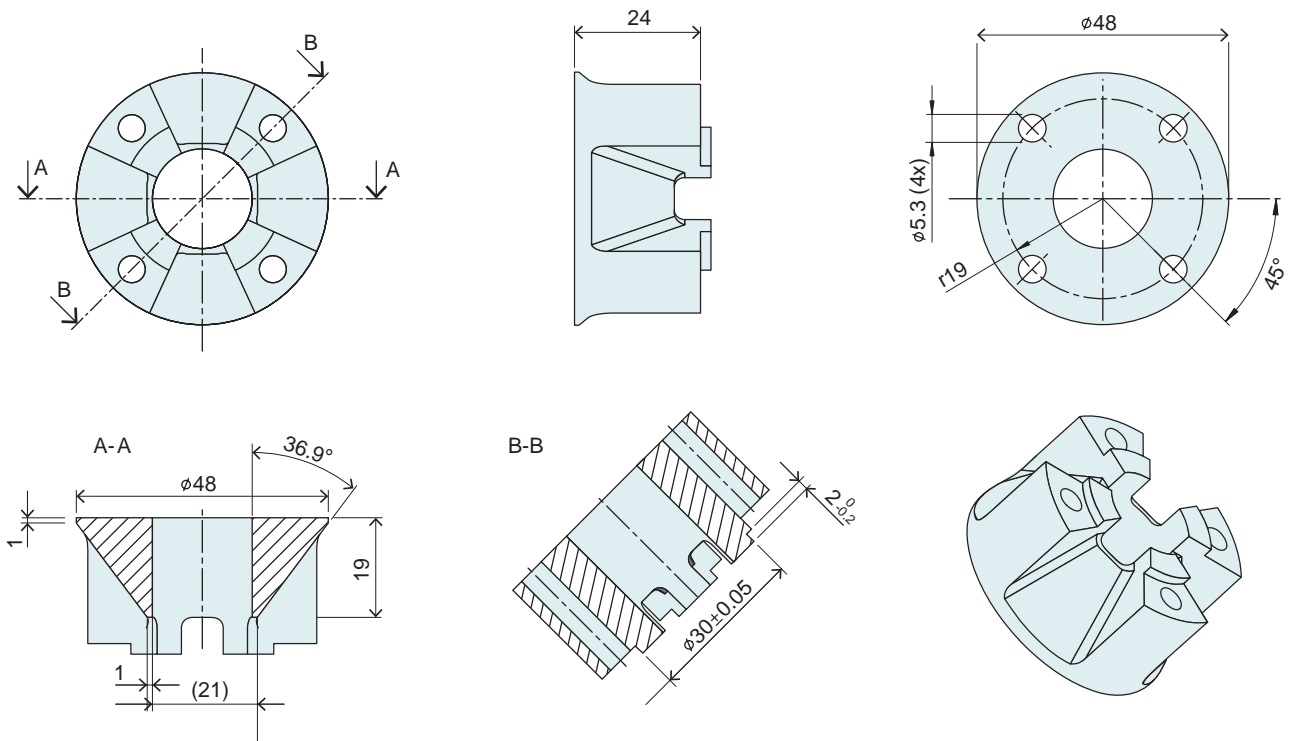


### WD BEARINGS

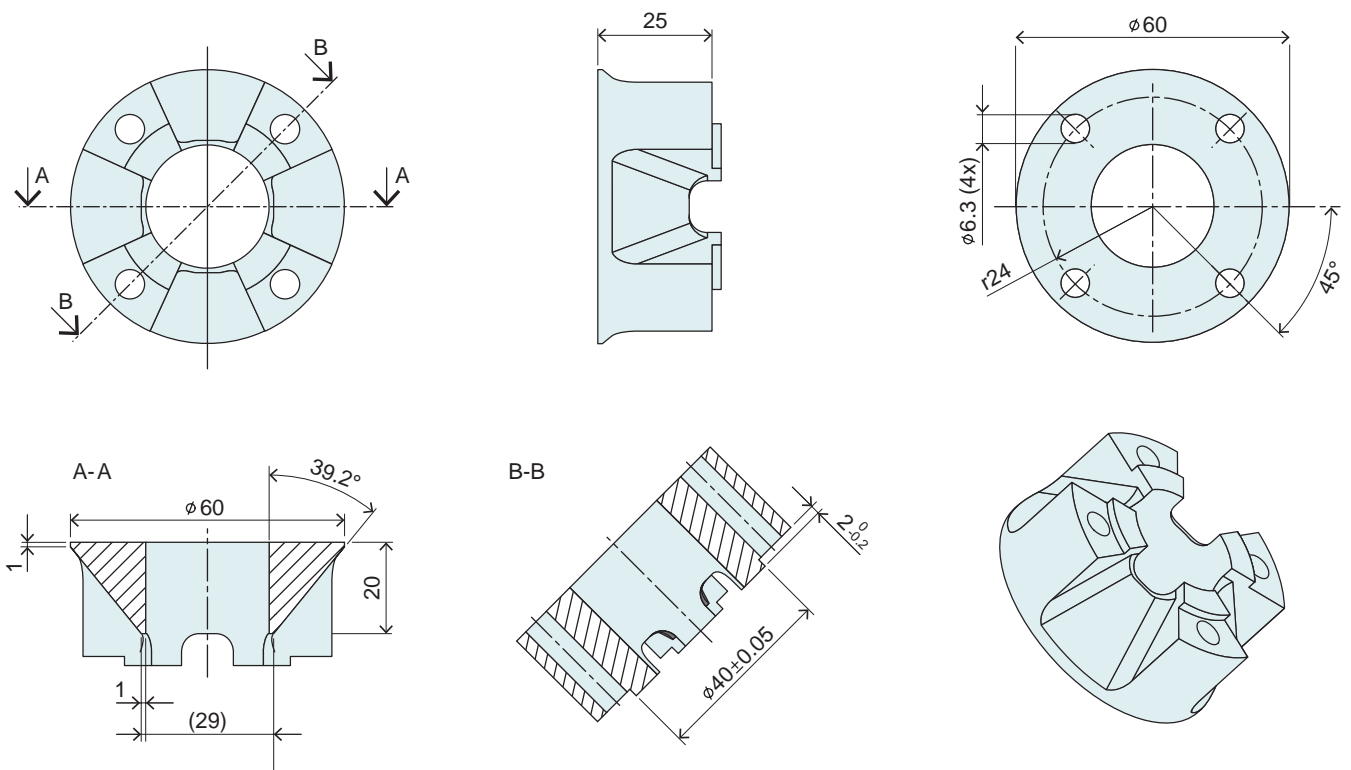
This type of bearing is made of solid plastic and is designed for use in wash-down applications for food production. Food residues can be removed without a trace.



**PB02-37x24-P-WD**



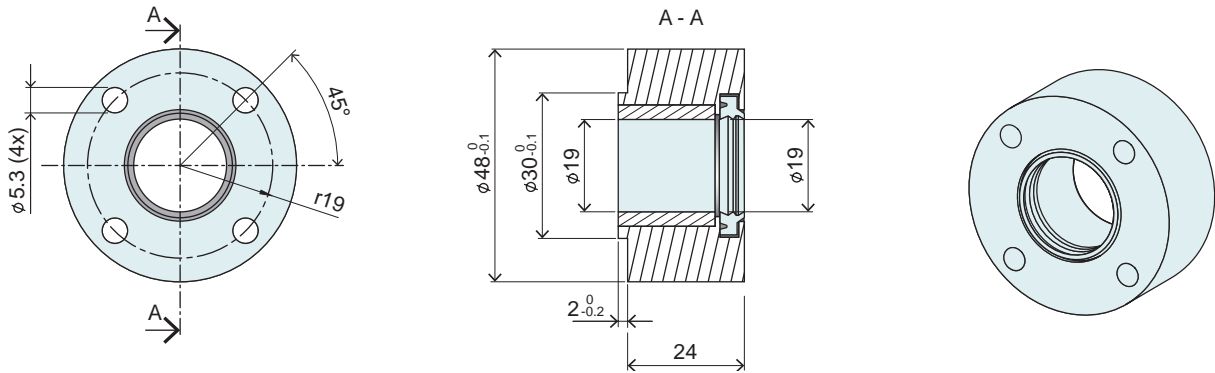
**PB02-48x25-P-WD**



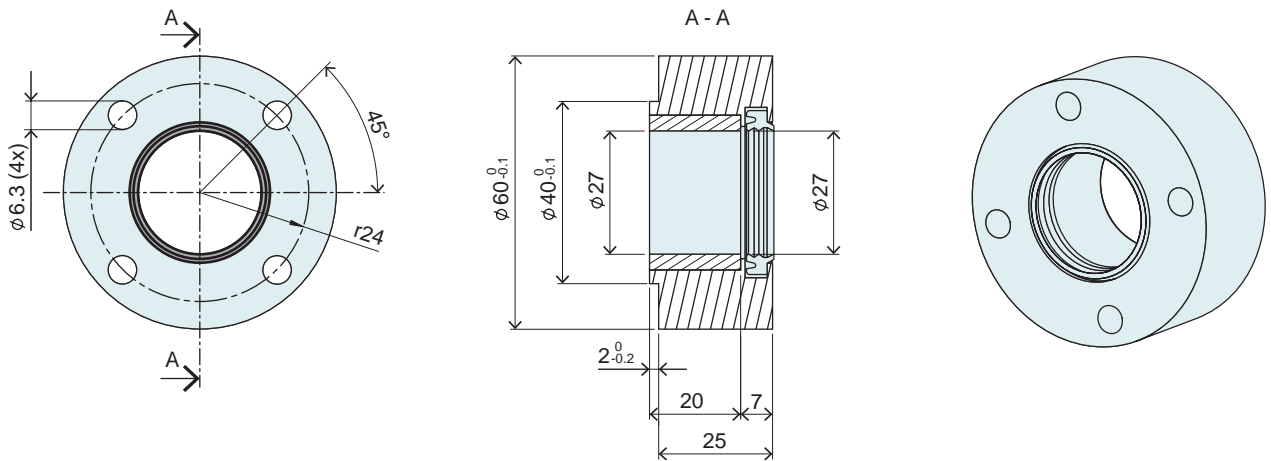
**ORDERING INFORMATION**

Item	Description	Item-No.
<b>PB02-37x24-P-WD</b>	Plain Bearing for PS01-37x...-SSC (synthetical, FDA materials)	0150-3299
<b>PB02-48x25-P-WD</b>	Plain Bearing for PS01-48x...-SSC (synthetical, FDA materials)	0150-3271

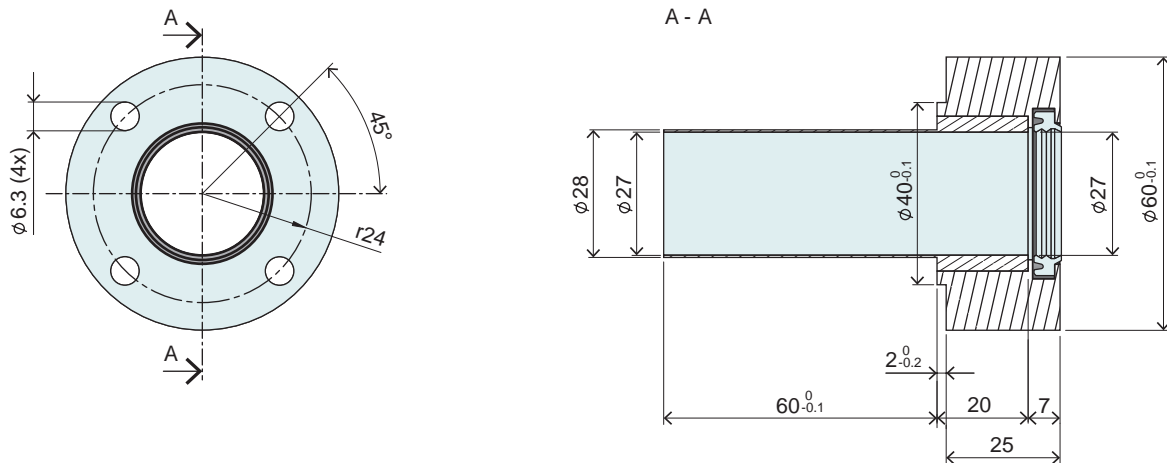
**PB01-37x24-P-SSC**



**PB01-48x25-P-SSC**



**PB01-48x25-80-P-SSC**



**ORDERING INFORMATION**

Item	Description	Item-No.
<b>PB01-37x24-P-SSC</b>	Plain Bearing for PS01-37x120...-SSC (synthetical, FDA materials)	0150-3290
<b>PB01-48x25-P-SSC</b>	Plain Bearing for PS01-48x240...-SSC (synthetical, FDA materials)	0150-3281
<b>PB01-48x25-80-P-SSC</b>	Plain Bearing for PS01-48x360...-SSC (synthetical, FDA materials)	0150-3413