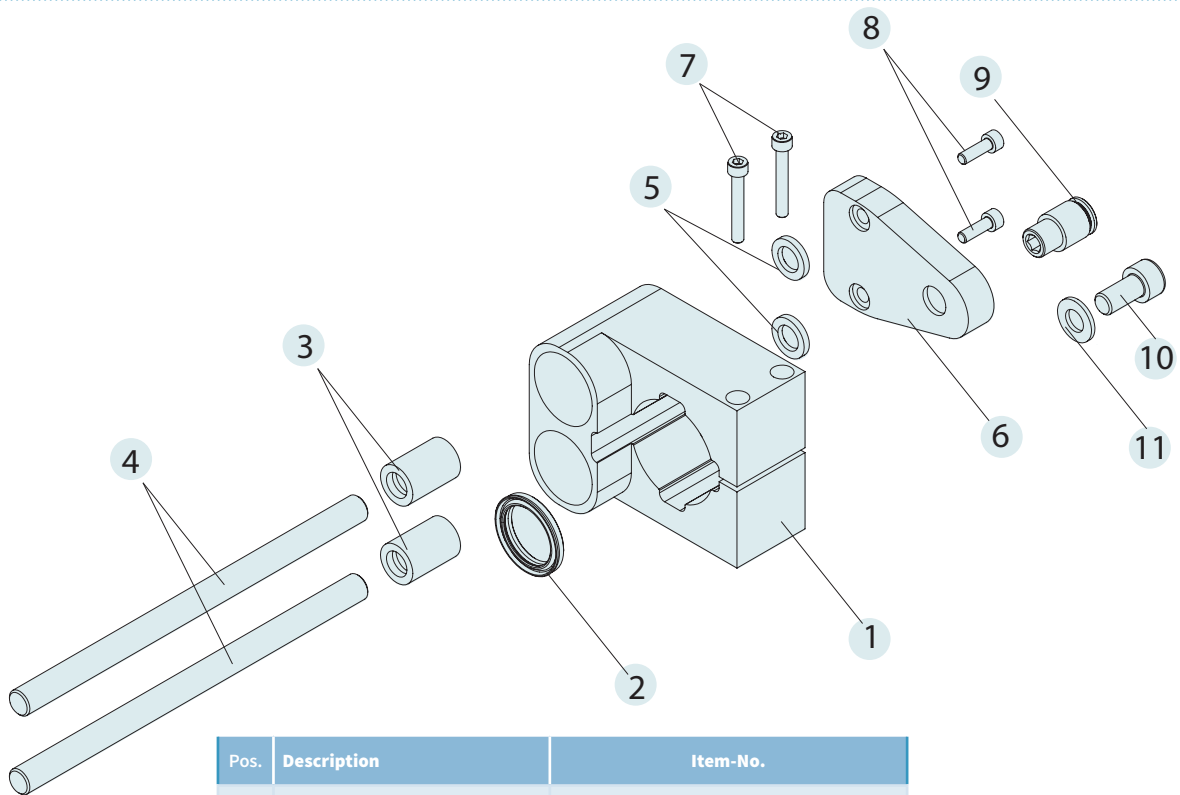


Cam kit

The multi-part cam kit provides the user with a simple way to couple the linear-rotary motor to an emergency cam kit. The cam guide moves the moving part of the linear-rotary motor out of the collision zone, forcing it upward, when the power is lost. This effectively prevents the axis from colliding with an object.

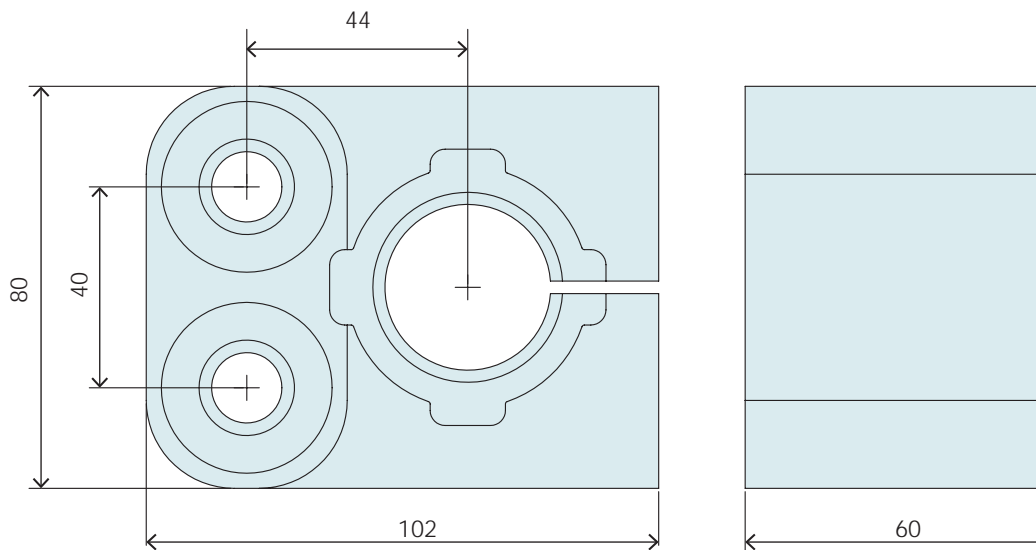


OVERVIEW



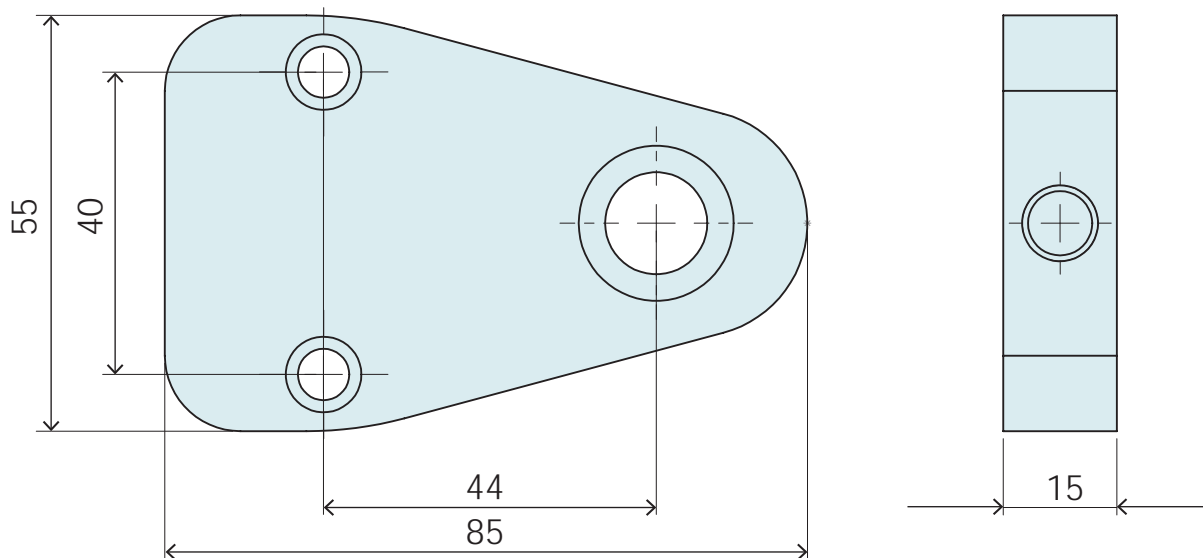
Pos.	Description	Item-No.
	MF01-PK84	Cam kit for PR01-84 Item-No. 0250-2324
	consisting of:	
1	Cam flange	MF01k-PR01-84x80-K 0260-0151
2	Wiper	PAW01-28 Item-No. 0150-3133
3	Linear ball bearings	2x LBBR 12-2LS
4	Guiding rods	2x MF01k-KS12x200 Length 200 mm
5	Shaft seals	2x SP-12x19x3 Item-No. 0230-0018
6	Adapter	MA01-PR01-84x80-K
7	Socket screws	2x M5x35 / ISO 4762
8	Socket screws	2x M5x14 / ISO 4762
9	Pneumatic fitting	for 10 mm hose 1/ 4"
10	Socket screws	M10x14 / DIN 7984
11	Adjusting washer	M10

MF01-PR01-84x80-K



Item	Description	Weight [g]	Item-No.
MF01-PR01-84x80-K	Linear Rotary Motor Cam-Flange	610	0250-2323

MA01-PR01-84x80-K



Item	Description	Weight [g]	Item-No.
MA01-PR01-84x80-K	Cam Kit Adapter	125	0250-0130

14