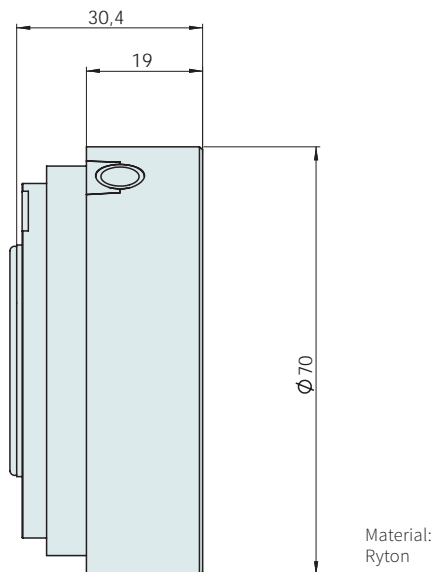
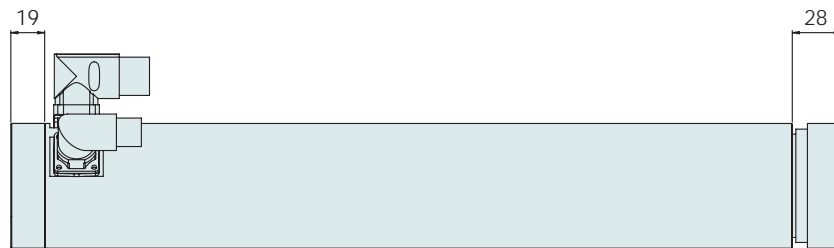


Lubricant reservoirs

LinMot stators in the P10-70 family can be equipped with grease reservoirs as an option. When grease reservoirs are used, lubrication can be regulated optimally. Only the amount of lubricant that is necessary is released. This makes maintenance easier and extends maintenance intervals. The integrated wipers hold the grease in the stator and thus prevent contamination from the outside.

The grease reservoirs are screwed onto the front or rear end of the stator. Depending on the side of the stator, the installation space required for the stator increases in length by 19 mm (rear) or 28 mm (front).



ORDERING INFORMATION

Item	Description	Item-No.
PA10-70/28	Lubricant reservoirs for PS10-70	0150-3543