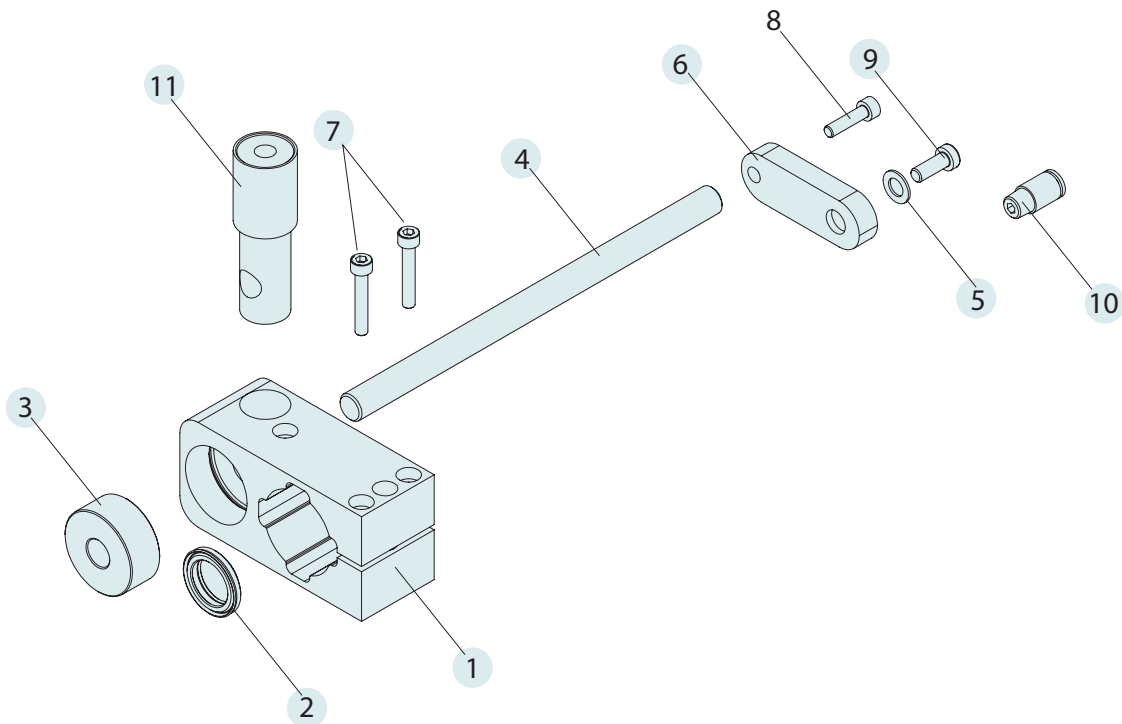


## Brake Kit

The brake kit for size 52 linear-rotary motors prevents the axis from dropping down when oriented vertically. The pneumatic brake included in the set provides the braking action. It is activated when the power is off and acts directly on the slotted guide shaft installed parallel to the motor axis.



### OVERVIEW



Pos.	Description	Item-No.
	<b>MF01-BK52</b>	<b>Brake kit Linear Rotary Motor for PR01-52</b> <b>Item-No. 0250-2344</b>
	consisting of:	
1	Mounting Flange	MF01k-PR01-52x40-37 Art-Nr. 0260-0152
2	Wiper	PAW01-20 Item-No. 0150-3112
3	Brake ring	MF01-BR-52
4	Cam shaft	MF01k-KS12x200
5	Adjusting washer	M8
6	Adapter	MA01-PR01-52-37/20 Item-No. 0250-0128
7	Socket screw (2x)	MF01k-KS12x200 Art-Nr. 0260-0250
8	Socket screw	M5x14 / ISO4762
9	Socket screw	M8x18 / DIN7984
10	Pneumatic fitting	for 6mm hose 1/8"
11	Pneumatic brake	Item-No. 0150-5052