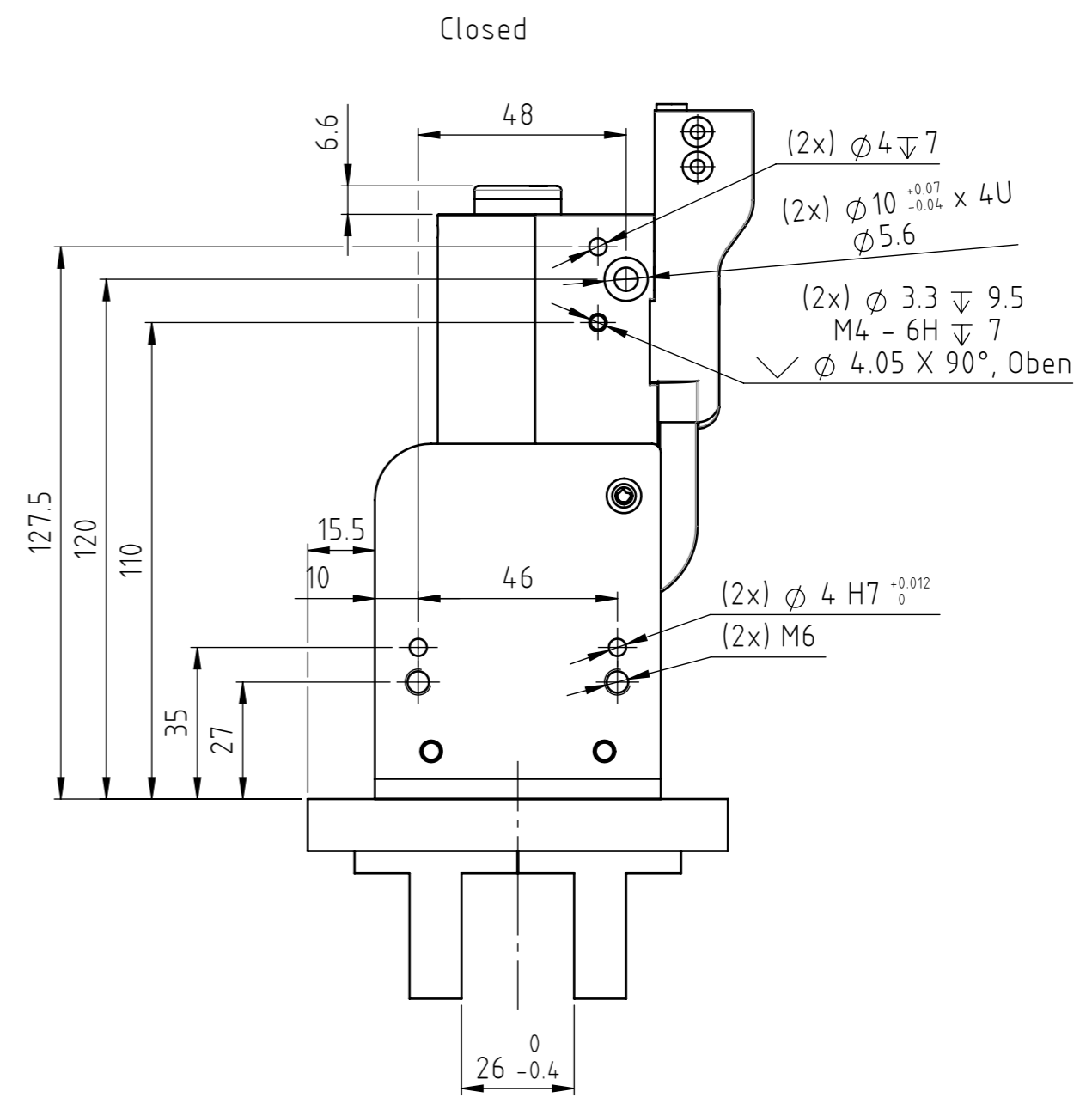
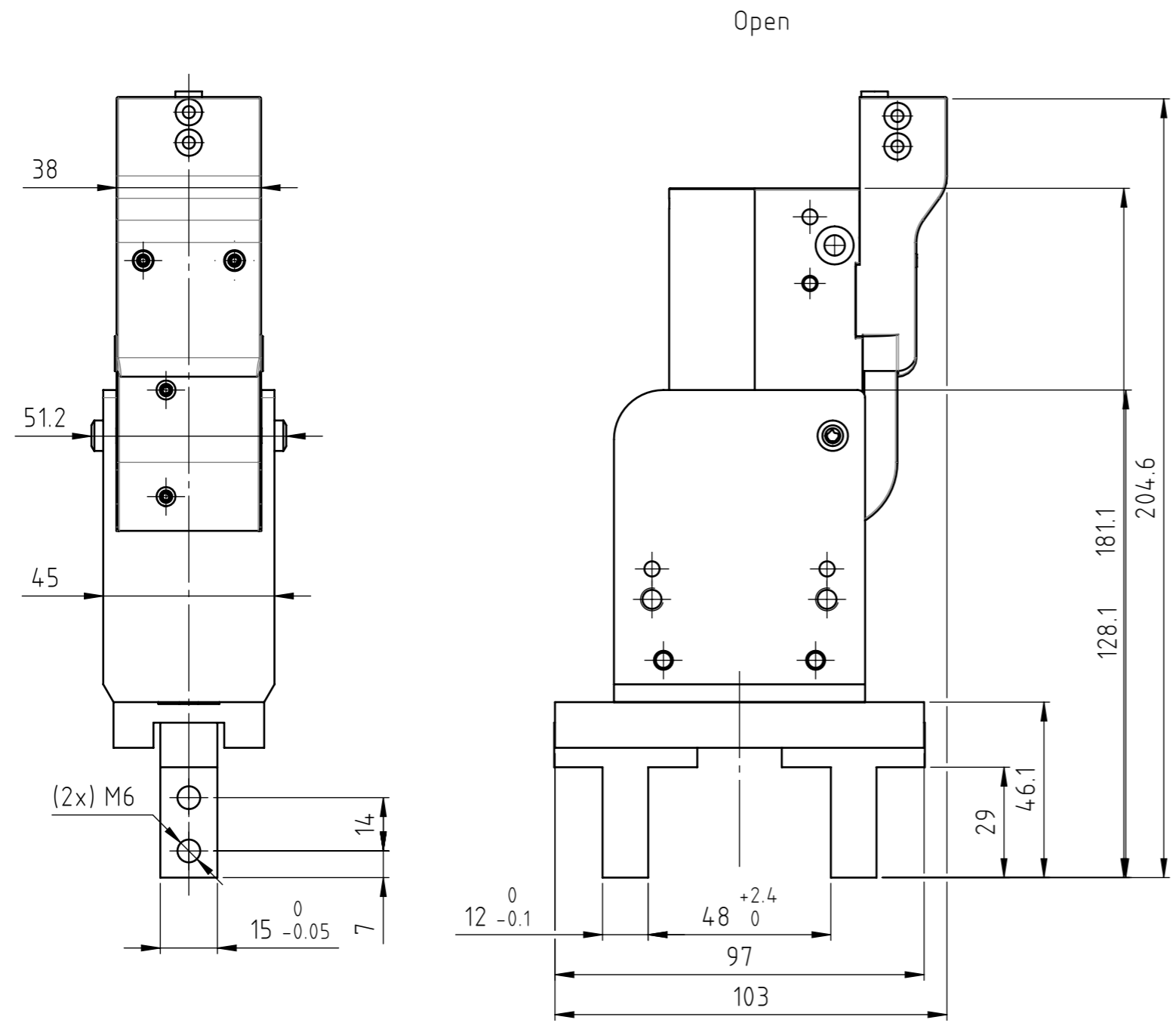


The copyright to this document, which is personally entrusted to the recipient, remains with our company. Without our written permission, the document may not be copied nor reproduced nor communicated or made accessible to third parties without our written permission.

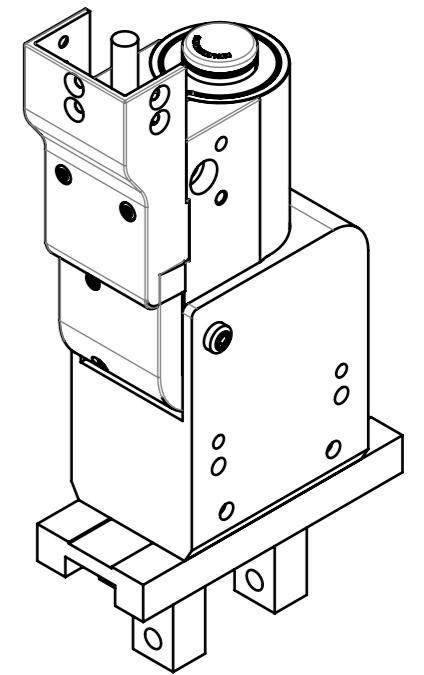
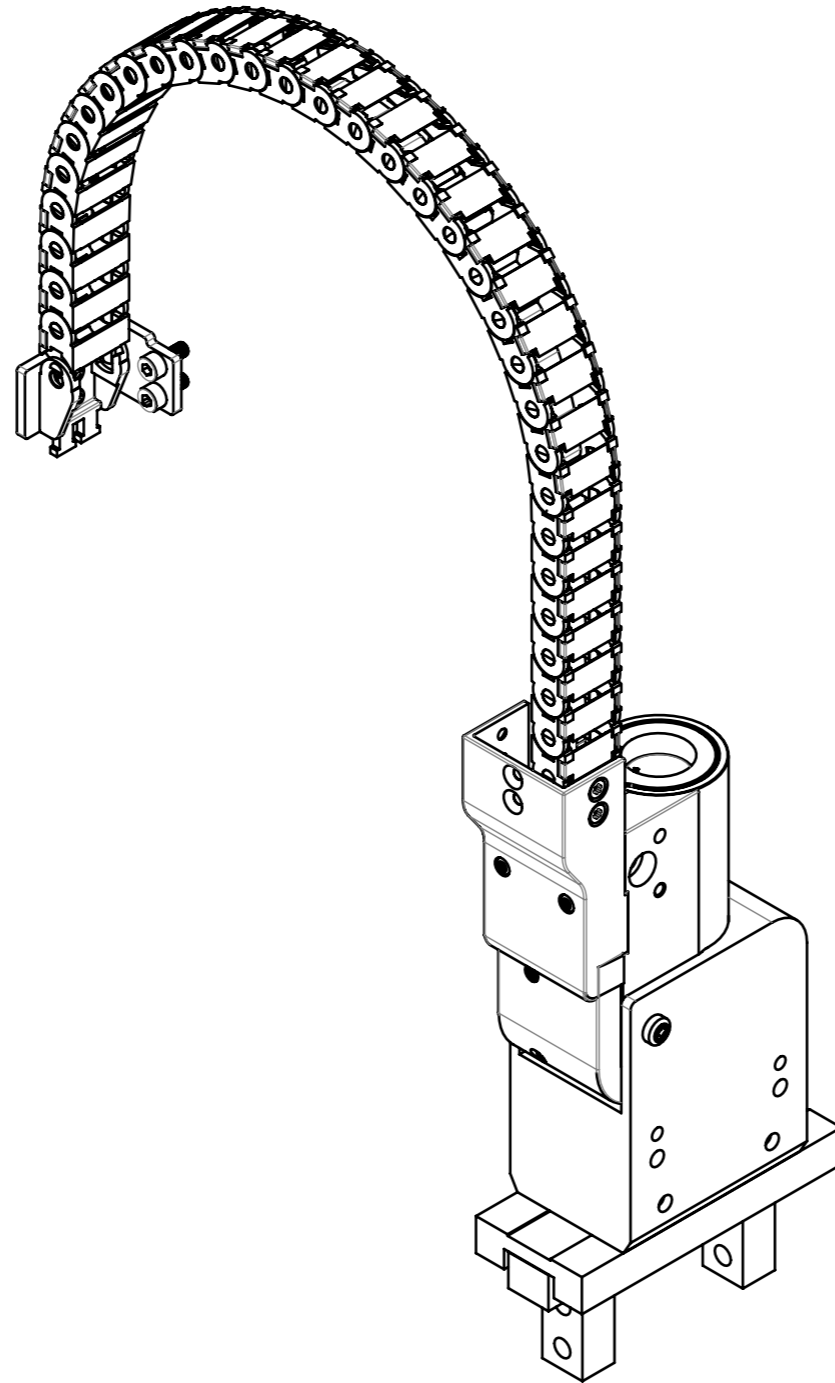
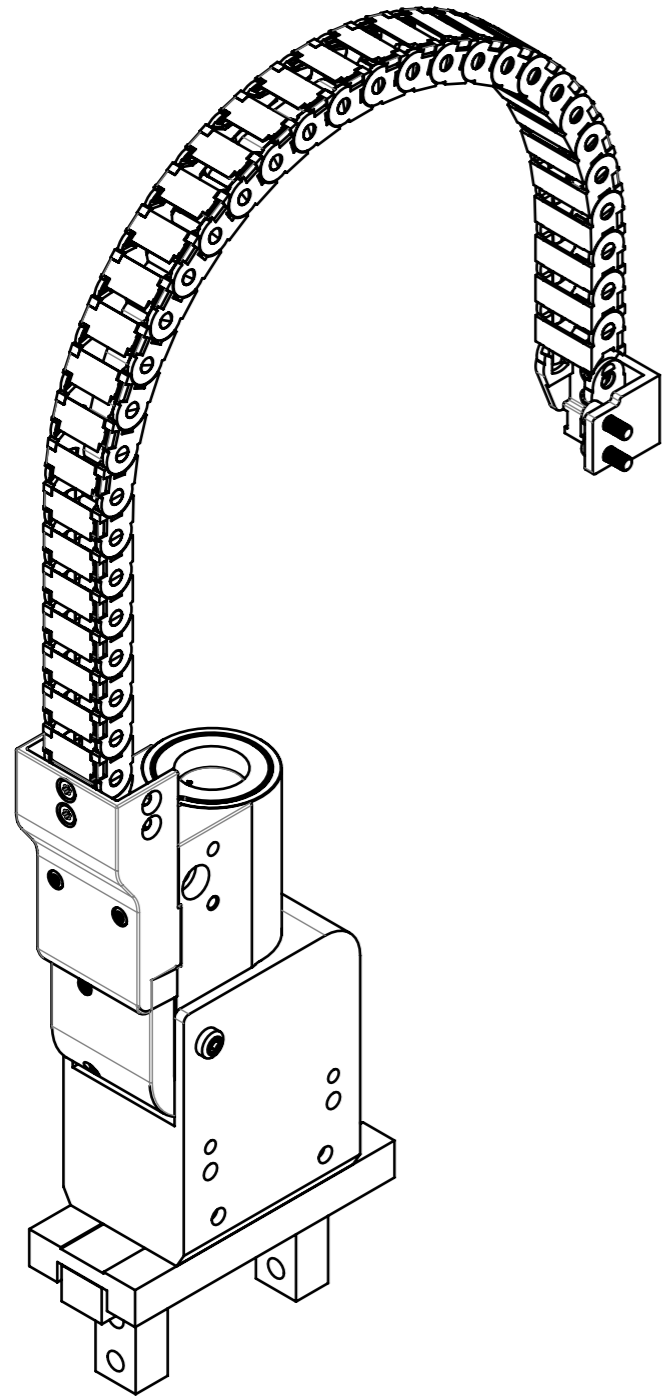


	Addition	Art.No.
GM50-37Sx60-HP-N_48-22	Gripper module, stroke 22 mm	0150-6596
GM50-37Sx60-XP-N_48-22_MS03	Gripper module, stroke 22 mm with holding force	0150-6255


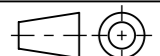
Rev.	Change	Date	Author	Appr.
02	Artikel hinzugefügt	18.10.2024	jb	dm
01	Document created	30.07.2024	zb	dm

General tolerance DIN ISO 2768 - mK	Created by D. Zbinden	Status 16.12.2024 / jb	Material
LinMot®	0180-3677_GM50-37Sx60-XP-N_48-22_MSxx		<input type="checkbox"/> Safety Rel. Weight (g)
NTI AG LinMot & MagSpring Bodenaeckerstrasse 2 CH-8957 Spreitenbach	Title, additional title GM50-37Sx60-HP-N_48-22_MSxx Gripper module GM50-37		<input type="checkbox"/> UL-Rel.
Template type: SW2020 Version: V1-1 SW_A3_hori_Sheet_format_V1-1	Art.No.: see table		Document type Customer drawing
	Scale 2:3		Drawing number / Index 0180-3677-02
			Sheet 1 / 3 A3

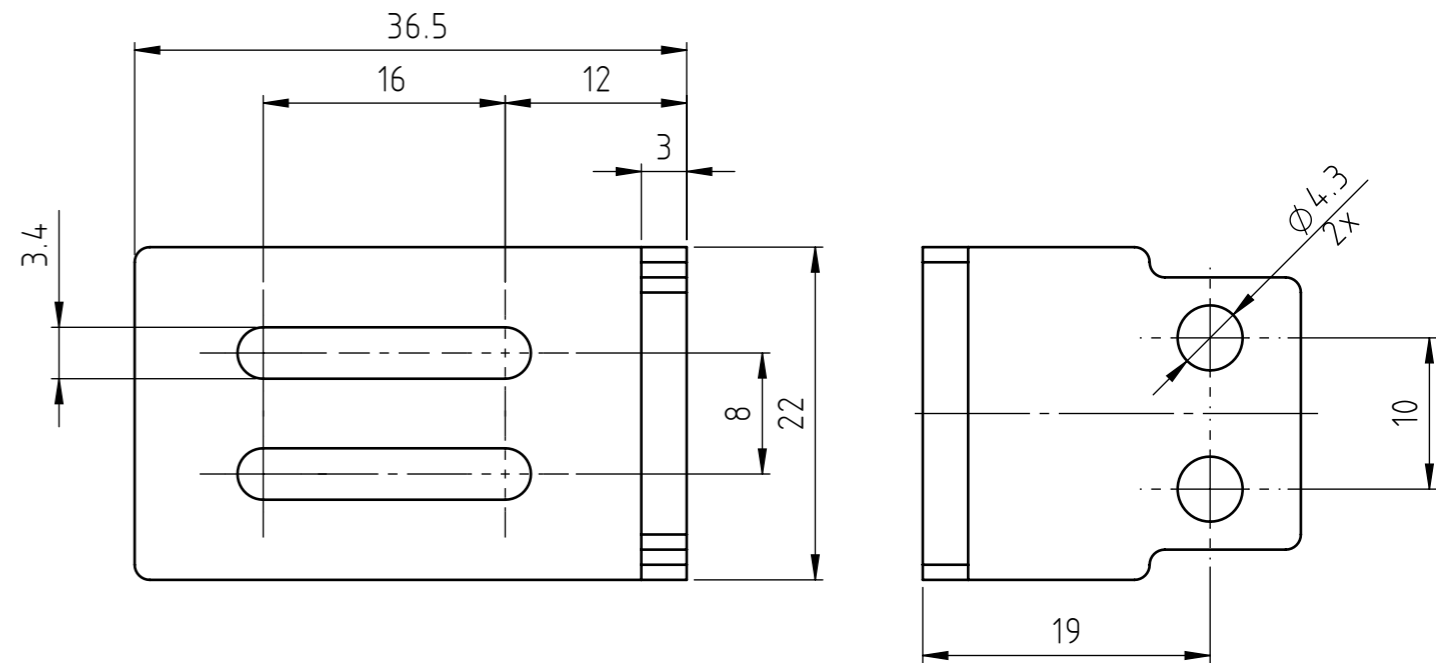
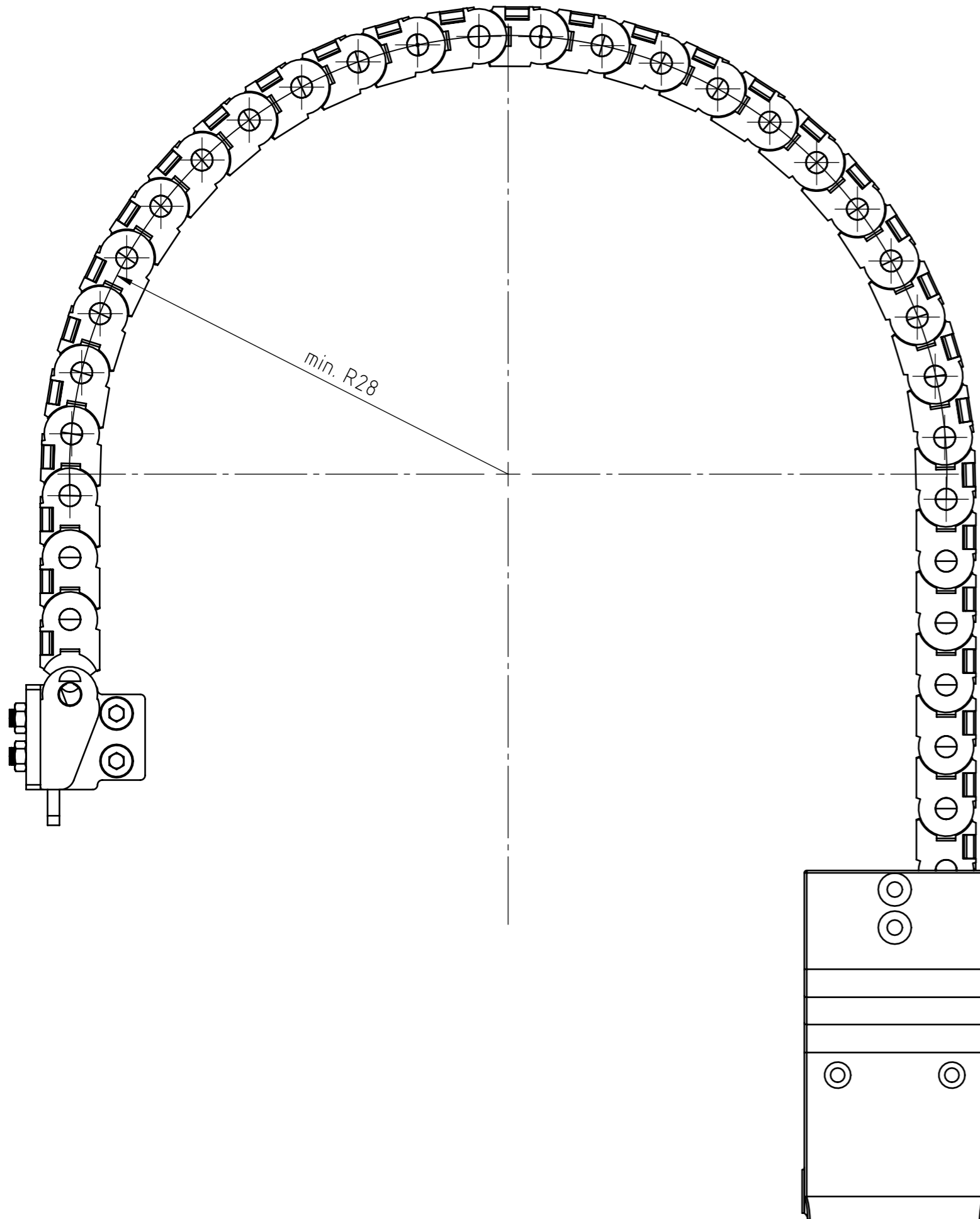
The copyright to this document, which is personally entrusted to the recipient, remains with our company. Without our written permission, the document may not be copied nor reproduced nor communicated or made accessible to third parties without our written permission.



Rev.	Change	Date	Author	Appr.
02	Artikel hinzugefügt	18.10.2024	jb	dm
01	Document created	30.07.2024	zb	dm

General tolerance DIN ISO 2768 - mK		Created by D. Zbinden	Status 16.12.2024 / jb	Material	
 NTI AG LinMot & MagSpring Bodenaeckerstrasse 2 CH-8957 Spreitenbach		0180-3677_GM50-37Sx60-XP-N_48-22_MSxx		<input type="checkbox"/> Safety Rel.	Weight (g)
		Title, additional title GM50-37Sx60-HP-N_48-22_MSxx Gripper module GM50-37		<input type="checkbox"/> UL-Rel.	
Template type: SW2020 Version: V1-1 SW_A3_hori_Sheet_format_V1-1		Art.No.: see table		Document type Customer drawing	
		Drawing number / Index 0180-3677-02		Scale 1:2	Sheet 2 / 3
					A3

The copyright to this document, which is personally entrusted to the recipient, remains with our company. Without our written permission, the document may not be copied nor reproduced nor communicated or made accessible to third parties without our written permission.



Rev.	Change	Date	Author	Appr.
02	Artikel hinzugefügt	18.10.2024	jb	dm
01	Document created	30.07.2024	zb	dm

General tolerance DIN ISO 2768 - mK	Created by D. Zbinden	Status 16.12.2024 / jb	Material
LinMot®	0180-3677_GM50-37Sx60-XP-N_48-22_MSxx		<input type="checkbox"/> Safety Rel. Weight (g)
	Title, additional title NTI AG LinMot & MagSpring Bodenaeckerstrasse 2 CH-8957 Spreitenbach		<input type="checkbox"/> UL-Rel.
Template type: SW2020 Version: V1-1 SW_A3_hori_Sheet_format_V1-1	GM50-37Sx60-HP-N_48-22_MSxx Gripper module GM50-37		Document type Customer drawing
Art.No.: see table	Drawing number / Index 0180-3677-02		Scale 1:2
		Sheet 3 / 3	A3