

LINEAR MOTORS P01-48x240F-HP



- ✓ Highly dynamic drives
- ✓ Higher permissible operating temperatures
- ✓ Maximum power density
- ✓ 25 Functional Safety variant available
- ✓ Wide stroke range
- ✓ Extensive range of accessories
- ✓ Dynamics and flexibility for handling, plant and machine construction

LINEAR MOTORS P01-48x240F-HP

Technical Data	3
Motor Specifications	
P01-48x240F-HP/60x210	6
P01-48x240F-HP/120x270	7
P01-48x240F-HP/210x400	8
P01-48x240F-HP/330x480	9
P01-48x240F-HP/420x570	10
P01-48x240F-HP/510x660	11
P01-48x240F-HP/630x780	12
P01-48x240F-HP/720x870	13
P01-48x240F-HP/930x1080	14
P01-48x240F-HP/1110x1260	15
P01-48x240F-HP/1320x1470	16
P01-48x240F-HP/1530x1680	17
P01-48x240F-HP/1710x1860	18
Linear Guides	19
Accessories	21

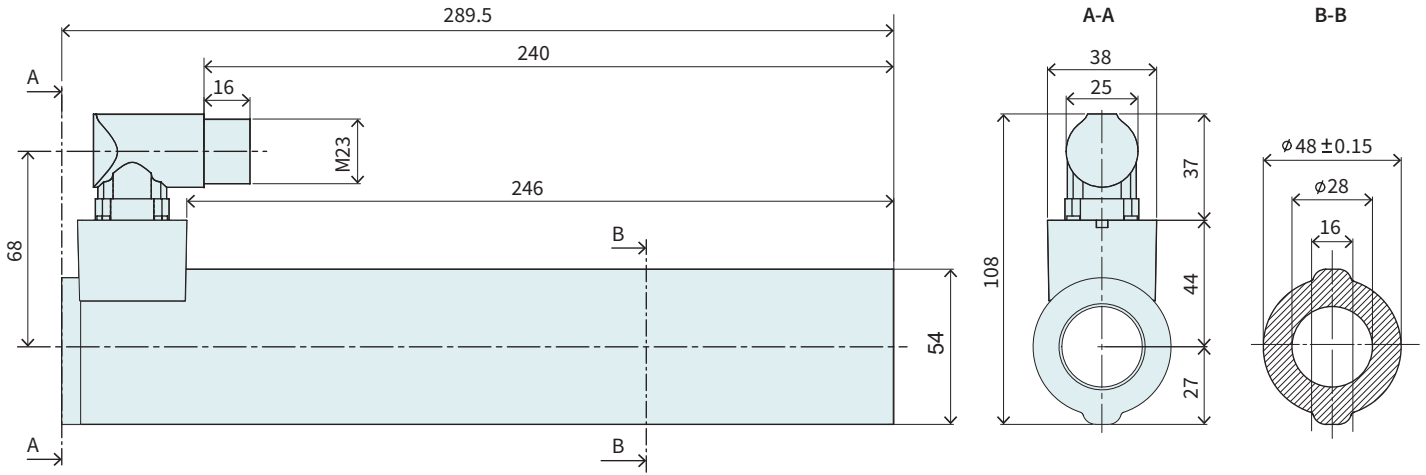


MOTOR FAMILY P01-48x240F-HP



Technical Data				
Stroke				
Standard Stroke (SS)	mm (in)		≤ 1710 (≤ 67.3)	
Extended Stroke (ES)	mm (in)		≤ 1860 (≤ 73.2)	
Force				
Max. Force @ 48VDC	N (lbf)		572 (129)	
Max. Force @ 72VDC	N (lbf)		572 (129)	
Max. Cont. Force [Passive cooling / Fan / Fluid]	N (lbf)		170 / 290 / - (38 / 65 / -)	
Max. Border Force relative	%		≤ 69	
Force Constant	N/A _{pk} (lbf/A _{pk})		22 (4.95)	
Velocity				
Max. Velocity @ 48VDC	m/s (in/s)		1.9 (78.9)	
Max. Velocity @ 72VDC	m/s (in/s)		2.9 (119.9)	
Position Detection				
Position Resolution	mm (in)		0.007 (0.0003)	
Repeatability	mm (in)		±0.05 (±0.002)	
Position Resolution with ES	mm (in)		0.001 (0.00004)	
Repeatability with ES	mm (in)		±0.01 (±0.0004)	
Linearity with ES	mm (in)		±0.01 (±0.0004)	
Electrical Data				
Max. Current @ 48VDC	A _{pk}		25.9	
Max. Current @ 72VDC	A _{pk}		25.9	
Max. Cont. Current [Passive cooling / Fan / Fluid]	A _{pk}		7.7 / 13 / -	
Terminal Resistance 25 °C / 150 °C	Ohm		0.97 / 1.4	
Terminal Inductivity	mH		1.1	
Magnetic Period	mm (in)		60 (2.35)	
Thermal Data				
Max. Winding Temperature (Sensor)	°C		120	
Thermal Resistance [Passive cooling / Fan / Fluid]	*K/W		0.95 / 0.32 / -	
Thermal Time Constant [Passive cooling / Fan / Fluid]	s		970 / 330 / -	
Mechanical Data				
Stator Diameter	mm (in)		48 (1.9)	
Stator Length [Connector type / Cable type]	mm (in)		289.5 (11)	
Stator Mass	g (lb)		1930 (4.3)	
Slider Diameter	mm (in)		28 (1.1)	
Slider Length	mm (in)		350 - 2000 (14 - 79)	
Slider Mass	g (lb)		1570 - 9250 (3.46 - 20.4)	
IP Code			IP 65	
Certification				
cRUus	File-No.		E354430	

STATOR

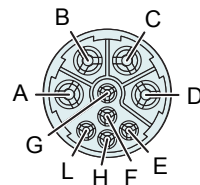


Item	Description	Item-No.
P01-48x240F-HP-C	Stator HP with IP67 Connector M23/9(m)	0150-2991
P01-48x240F-HP-C-2S	Stator HP with IP67 Connector M23/9(m) - 2S	0150-22991

CONNECTOR

Motor Connector Wiring	C-Connector	Wire color motor cable
Ph 1+	A	red
Ph 1-	B	pink
Ph 2+	C	blue
Ph 2-	D	grey
+5VDC	E	white
GND	F	inner shield
Sin	G	yellow
Cos	H	green
Temp.	L	black
Shield	Housing	outer Shield

C-Connector

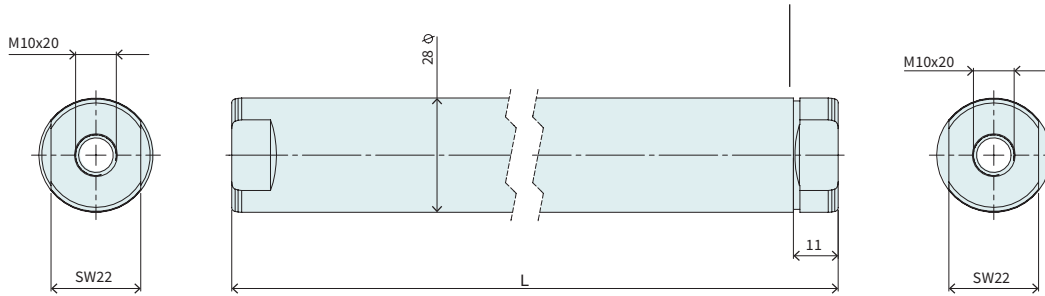


View: Motor Connector, plug side

SLIDER

Slider HP

Number of grooves determines the slider type (see chapter 2 / slider) and marks the front end.

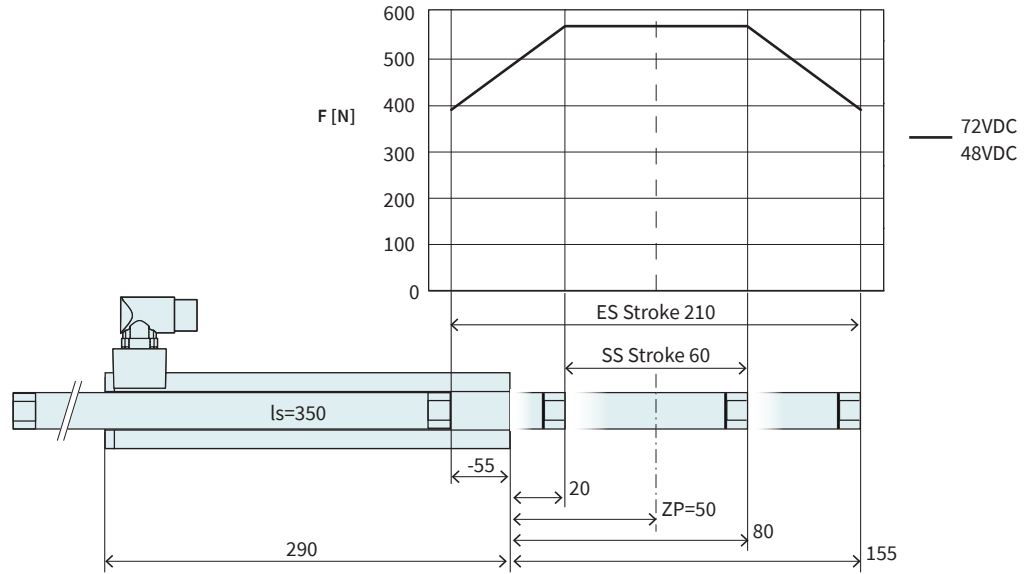


Slider High Performance				
Item	Description	Max. Stroke [mm]	Standard Stroke [mm]	Item-No.
PL01-28x350/300-HP	Slider 'High Performance'	210	60	0150-3820
PL01-28x410/360-HP	Slider 'High Performance'	270	120	0150-3821
PL01-28x500/450-HP	Slider 'High Performance'	360	210	0150-3822
PL01-28x620/570-HP	Slider 'High Performance'	480	330	0150-3823
PL01-28x710/660-HP	Slider 'High Performance'	570	420	0150-3824
PL01-28x800/750-HP	Slider 'High Performance'	660	510	0150-3825
PL01-28x920/870-HP	Slider 'High Performance'	780	630	0150-3878
PL01-28x1010/960-HP	Slider 'High Performance'	870	720	0150-3827
PL01-28x1220/1170-HP	Slider 'High Performance'	1080	930	0150-3828
PL01-28x1400/1350-HP	Slider 'High Performance'	1260	1110	0150-3829
PL01-28x1610/1560-HP	Slider 'High Performance'	1470	1320	0150-3830
PL01-28x1820/1770-HP	Slider 'High Performance'	1680	1530	0150-3831
PL01-28x2000/1950-HP	Slider 'High Performance'	1860	1710	0150-3832

Slider High Performance 2S				
Item	Description	Max. Stroke [mm]	Standard Stroke [mm]	Item-No.
PL01-28x350/300-HP-2S	Slider 'High Performance' - Safety	210	60	0150-23820
PL01-28x410/360-HP-2S	Slider 'High Performance' - Safety	270	120	0150-23821
PL01-28x500/450-HP-2S	Slider 'High Performance' - Safety	360	210	0150-23822
PL01-28x620/570-HP-2S	Slider 'High Performance' - Safety	480	330	0150-23823
PL01-28x710/660-HP-2S	Slider 'High Performance' - Safety	570	420	0150-23824
PL01-28x800/750-HP-2S	Slider 'High Performance' - Safety	660	510	0150-23825
PL01-28x920/870-HP-2S	Slider 'High Performance' - Safety	780	630	0150-23878
PL01-28x1010/960-HP-2S	Slider 'High Performance' - Safety	870	720	0150-23827
PL01-28x1220/1170-HP-2S	Slider 'High Performance' - Safety	1080	930	0150-23828
PL01-28x1400/1350-HP-2S	Slider 'High Performance' - Safety	1260	1110	0150-23829
PL01-28x1610/1560-HP-2S	Slider 'High Performance' - Safety	1470	1320	0150-23830
PL01-28x1820/1770-HP-2S	Slider 'High Performance' - Safety	1680	1530	0150-23831
PL01-28x2000/1950-HP-2S	Slider 'High Performance' - Safety	1860	1710	0150-23832

P01-48x240F-HP/60x210

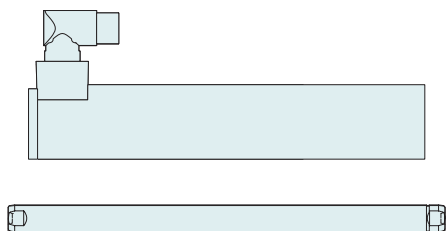
Max. Stroke: 210 mm
Peak Force: 572 N



Dimensions in mm

Technical Data P01-48x240F-HP/60x210

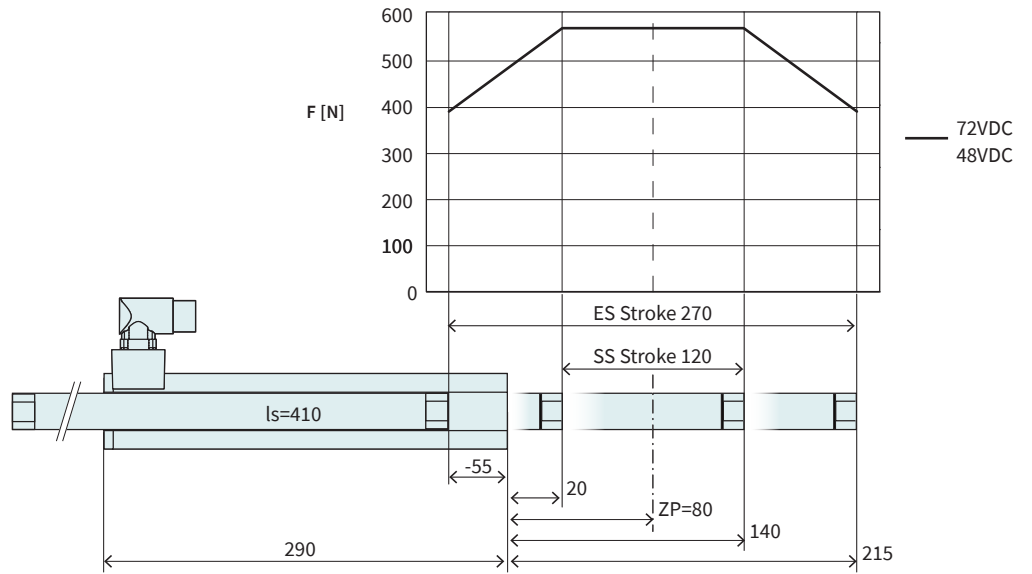
Stroke			
Standard Stroke (SS)	mm (in)	60 (2.36)	
Extended Stroke (ES)	mm (in)	210 (8.27)	
Force			
Max. Force @ 48VDC	N (lbf)	572 (129)	
Max. Force @ 72VDC	N (lbf)	572 (129)	
Max. Cont. Force [Passive cooling / Fan / Fluid]	N (lbf)	170 / 290 / - (38 / 65 / -)	
Max. Border Force relative	%	69	
Force Constant	N/A _{pk} (lbf/A _{pk})	22 (4.95)	
Velocity			
Max. Velocity @ 48VDC	m/s (in/s)	1.9 (78.9)	
Max. Velocity @ 72VDC	m/s (in/s)	2.9 (119.9)	
Position Detection			
Repeatability	mm (in)	±0.05 (±0.002)	
Linearity	%	± 0.45	
Electrical Data			
Max. Current @ 48VDC	A _{pk}	25.9	
Max. Current @ 72VDC	A _{pk}	25.9	
Max. Cont. Current [Passive cooling / Fan / Fluid]	A _{pk}	7.7 / 13 / -	
Thermal Data			
Max. Winding Temperature (Sensor)	°C	120	
Thermal Resistance [Passive cooling / Fan / Fluid]	°K/W	0.95 / 0.32 / -	
Thermal Time Constant [Passive cooling / Fan / Fluid]	s	970 / 330 / -	
Mechanical Data			
Slider Length	mm (in)	350 (14)	
Slider Mass	g (lb)	1570 (3.5)	



Item	Description	Item-No.
P01-48x240F-HP-C	Stator HP with IP67 Connector M23/9(m)	0150-2991
PS01-48x240F-HP-C-2S	Stator with IP67 Stecker M23/9(m) - Safety	0150-22991
PL01-28x350/300-HP	Slider 'High Performance'	0150-3820
PL01-28x350/300-HP-2S	Slider 'High Performance' - Safety	0150-23820

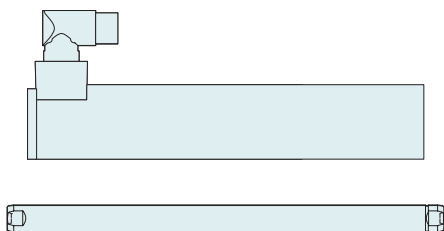
P01-48x240F-HP/120x270

Max. Stroke: 270 mm
Peak Force: 572 N



Dimensions in mm

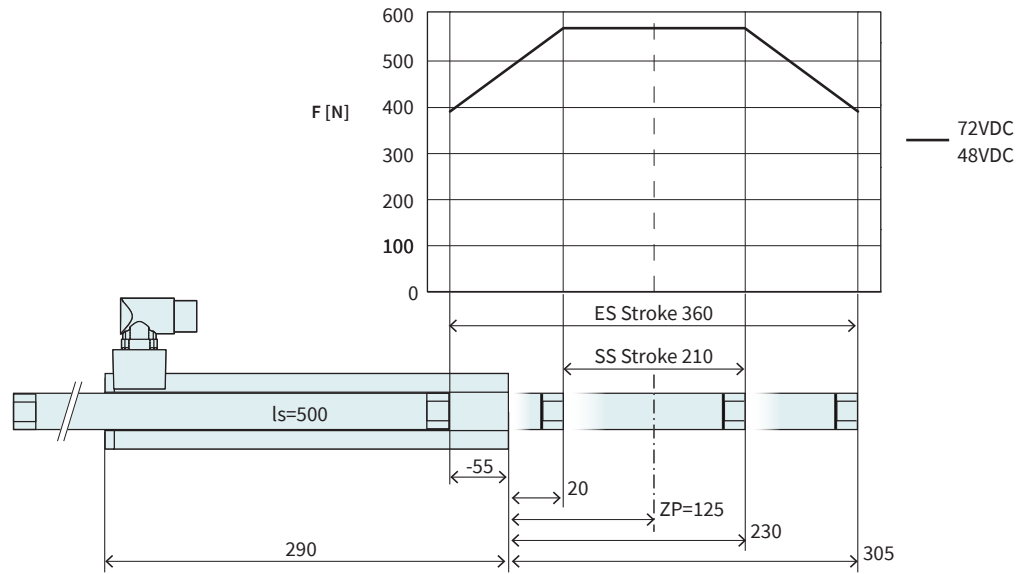
Technical Data P01-48x240F-HP/120x270				
Stroke				
Standard Stroke (SS)	mm	(in)	120	(4.72)
Extended Stroke (ES)	mm	(in)	270	(10.63)
Force				
Max. Force @ 48VDC	N	(lbf)	572	(129)
Max. Force @ 72VDC	N	(lbf)	572	(129)
Max. Cont. Force [Passive cooling / Fan / Fluid]	N	(lbf)	170 / 290 / -	(38 / 65 / -)
Max. Border Force relative	%		69	
Force Constant	N/A _{pk}	(lbf/A _{pk})	22	(4.95)
Velocity				
Max. Velocity @ 48VDC	m/s	(in/s)	1.9	(78.9)
Max. Velocity @ 72VDC	m/s	(in/s)	2.9	(119.9)
Position Detection				
Repeatability	mm	(in)	±0.05	(±0.002)
Linearity	%		± 0.4	
Electrical Data				
Max. Current @ 48VDC	A _{pk}		25.9	
Max. Current @ 72VDC	A _{pk}		25.9	
Max. Cont. Current [Passive cooling / Fan / Fluid]	A _{pk}		7.7 / 13 / -	
Thermal Data				
Max. Winding Temperature (Sensor)	°C		120	
Thermal Resistance [Passive cooling / Fan / Fluid]	°K/W		0.95 / 0.32 / -	
Thermal Time Constant [Passive cooling / Fan / Fluid]	s		970 / 330 / -	
Mechanical Data				
Slider Length	mm	(in)	410	(16)
Slider Mass	g	(lb)	1850	(4.1)



Item	Description	Item-No.
PS01-48x240F-HP-C	Stator HP with IP67 connector M23/9(m)	0150-2991
PS01-48x240F-HP-C-2S	Stator with IP67 connector M23/9(m) - Safety	0150-22991
PL01-28x410/360-HP	Slider 'High Performance'	0150-3821
PL01-28x410/360-HP-2S	Slider 'High Performance' - Safety	0150-23821

P01-48x240F-HP/210x360

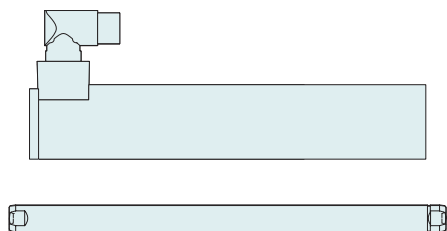
Max. Stroke: 360 mm
Peak Force: 572 N



Dimensions in mm

Technical Data P01-48x240F-HP/210x360

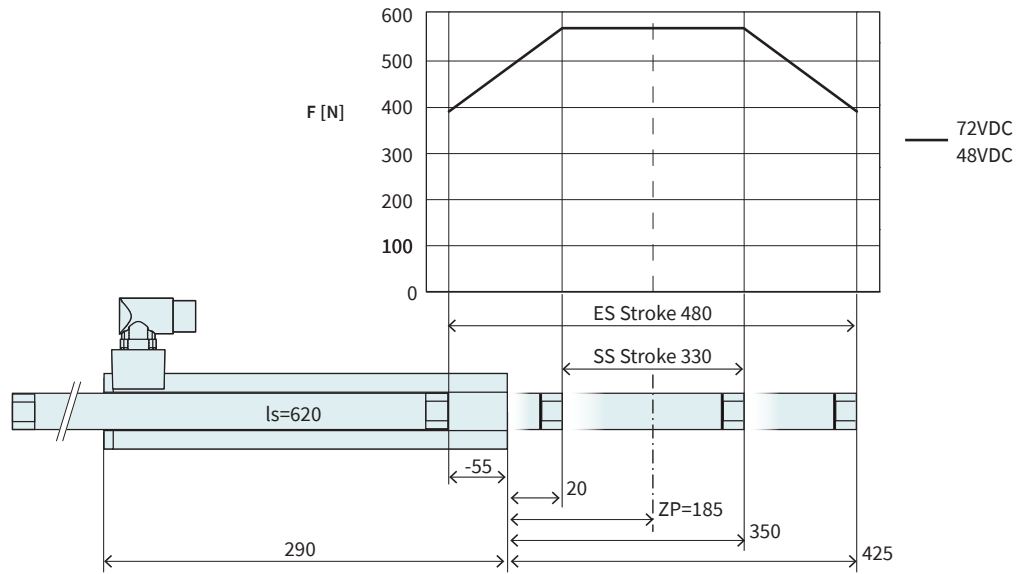
Stroke			
Standard Stroke (SS)	mm (in)	210	(8.26)
Extended Stroke (ES)	mm (in)	360	(14.19)
Force			
Max. Force @ 48VDC	N (lbf)	572	(129)
Max. Force @ 72VDC	N (lbf)	572	(129)
Max. Cont. Force [Passive cooling / Fan / Fluid]	N (lbf)	170 / 290 / -	(38 / 65 / -)
Max. Border Force relative	%	69	
Force Constant	N/A _{pk} (lbf/A _{pk})	22	(4.95)
Velocity			
Max. Velocity @ 48VDC	m/s (in/s)	1.9	(78.9)
Max. Velocity @ 72VDC	m/s (in/s)	2.9	(119.9)
Position Detection			
Repeatability	mm (in)	±0.05	(±0.002)
Linearity	%	± 0.3	
Electrical Data			
Max. Current @ 48VDC	A _{pk}	25.9	
Max. Current @ 72VDC	A _{pk}	25.9	
Max. Cont. Current [Passive cooling / Fan / Fluid]	A _{pk}	7.7 / 13 / -	
Thermal Data			
Max. Winding Temperature (Sensor)	°C	120	
Thermal Resistance [Passive cooling / Fan / Fluid]	°K/W	0.95 / 0.32 / -	
Thermal Time Constant [Passive cooling / Fan / Fluid]	s	970 / 330 / -	
Mechanical Data			
Slider Length	mm (in)	500	(20)
Slider Mass	g (lb)	2270	(5)



Item	Description	Item-No.
PS01-48x240F-HP-C	Stator HP with IP67 connector M23/9(m)	0150-2991
PS01-48x240F-HP-C-2S	Stator with IP67 connector M23/9(m) - Safety	0150-22991
PL01-28x500/450-HP	Slider 'High Performance'	0150-3822
PL01-28x500/450-HP-2S	Slider 'High Performance' - Safety	0150-23822

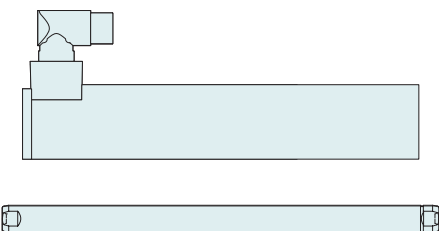
P01-48x240F-HP/330x480

Max. Stroke: 480 mm
Peak Force: 572 N



Dimensions in mm

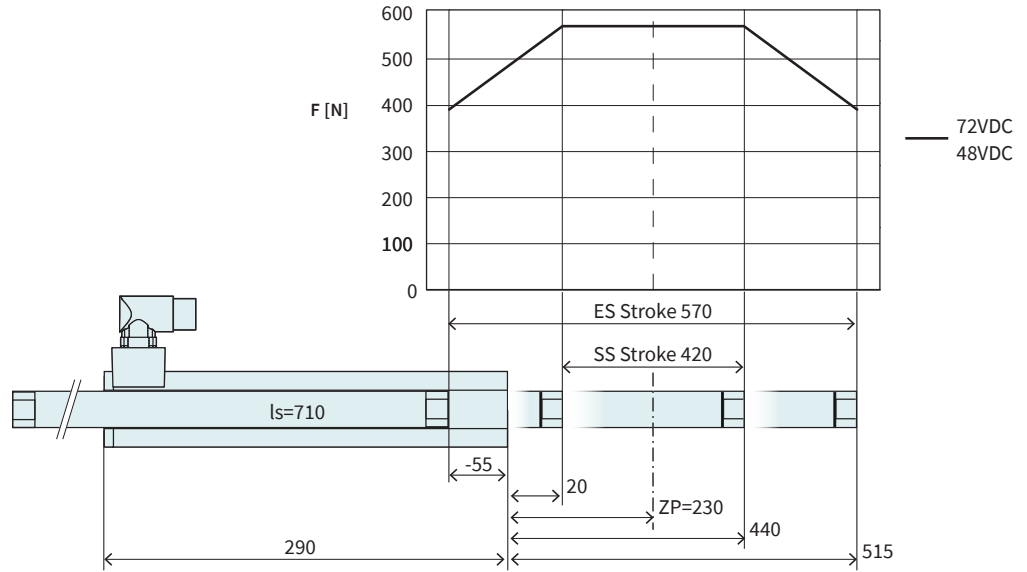
Technical Data P01-48x240F-HP/330x480				
Stroke				
Standard Stroke (SS)	mm (in)		330 (12.99)	
Extended Stroke (ES)	mm (in)		480 (18.89)	
Force				
Max. Force @ 48VDC	N (lbf)		572 (129)	
Max. Force @ 72VDC	N (lbf)		572 (129)	
Max. Cont. Force [Passive cooling / Fan / Fluid]	N (lbf)		170 / 290 / - (38 / 65 / -)	
Max. Border Force relative	%		69	
Force Constant	N/A _{pk} (lbf/A _{pk})		22 (4.95)	
Velocity				
Max. Velocity @ 48VDC	m/s (in/s)		1.9 (78.9)	
Max. Velocity @ 72VDC	m/s (in/s)		2.9 (119.9)	
Position Detection				
Repeatability	mm (in)		±0.05 (±0.002)	
Linearity	%		± 0.25	
Electrical Data				
Max. Current @ 48VDC	A _{pk}		25.9	
Max. Current @ 72VDC	A _{pk}		25.9	
Max. Cont. Current [Passive cooling / Fan / Fluid]	A _{pk}		7.7 / 13 / -	
Thermal Data				
Max. Winding Temperature (Sensor)	°C		120	
Thermal Resistance [Passive cooling / Fan / Fluid]	°K/W		0.95 / 0.32 / -	
Thermal Time Constant [Passive cooling / Fan / Fluid]	s		970 / 330 / -	
Mechanical Data				
Slider Length	mm (in)		620 (24)	
Slider Mass	g (lb)		2830 (6.2)	



Item	Description	Item-No.
PS01-48x240F-HP-C	Stator HP with IP67 connector M23/9(m)	0150-2991
PS01-48x240F-HP-C-2S	Stator with IP67 connector M23/9(m) - Safety	0150-22991
PL01-28x620/570-HP	Slider 'High Performance'	0150-3823
PL01-28x620/570-HP-2S	Slider 'High Performance' - Safety	0150-23823

P01-48x240F-HP/420x570

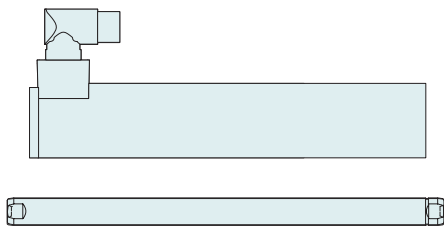
Max. Stroke: 570 mm
Peak Force: 572 N



Dimensions in mm

Technical Data P01-48x240F-HP/420x570

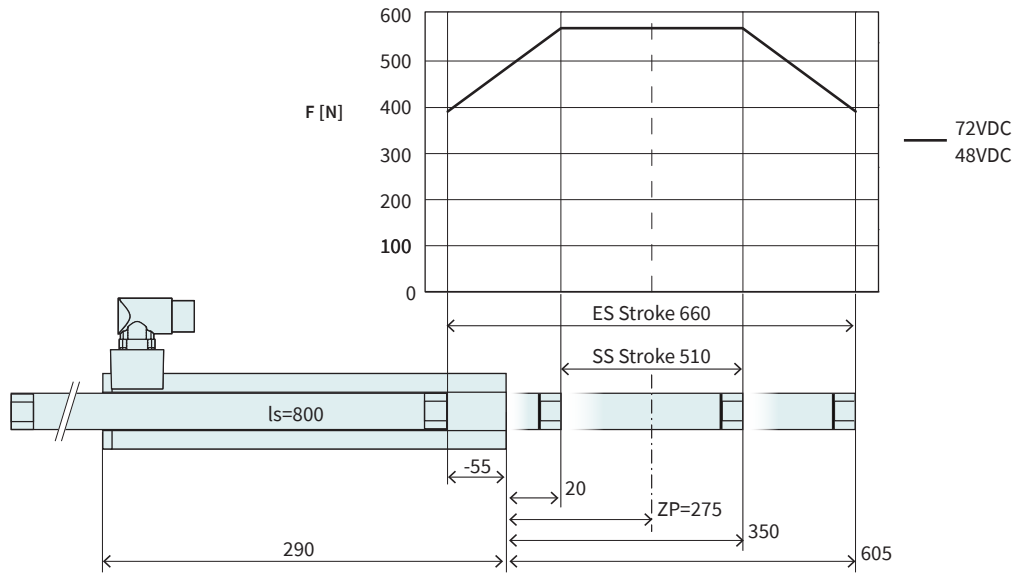
Stroke			
Standard Stroke (SS)	mm (in)	420 (16.49)	
Extended Stroke (ES)	mm (in)	570 (22.39)	
Force			
Max. Force @ 48VDC	N (lbf)	572 (129)	
Max. Force @ 72VDC	N (lbf)	572 (129)	
Max. Cont. Force [Passive cooling / Fan / Fluid]	N (lbf)	170 / 290 / - (38 / 65 / -)	
Max. Border Force relative	%	69	
Force Constant	N/A _{pk} (lbf/A _{pk})	22 (4.95)	
Velocity			
Max. Velocity @ 48VDC	m/s (in/s)	1.9 (78.9)	
Max. Velocity @ 72VDC	m/s (in/s)	2.9 (119.9)	
Position Detection			
Repeatability	mm (in)	±0.05 (±0.002)	
Linearity	%	± 0.25	
Electrical Data			
Max. Current @ 48VDC	A _{pk}	25.9	
Max. Current @ 72VDC	A _{pk}	25.9	
Max. Cont. Current [Passive cooling / Fan / Fluid]	A _{pk}	7.7 / 13 / -	
Thermal Data			
Max. Winding Temperature (Sensor)	°C	120	
Thermal Resistance [Passive cooling / Fan / Fluid]	°K/W	0.95 / 0.32 / -	
Thermal Time Constant [Passive cooling / Fan / Fluid]	s	970 / 330 / -	
Mechanical Data			
Slider Length	mm (in)	710 (28)	
Slider Mass	g (lb)	3250 (7.2)	



Item	Description	Item-No.
PS01-48x240F-HP-C	Stator HP with IP67 connector M23/9(m)	0150-2991
PS01-48x240F-HP-C-2S	Stator with IP67 connector M23/9(m) - Safety	0150-22991
PL01-28x710/660-HP	Slider 'High Performance'	0150-3824
PL01-28x710/660-HP-2S	Slider 'High Performance' - Safety	0150-23824

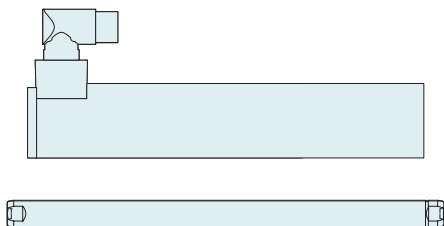
P01-48x240F-HP/510x660

Max. Stroke: 660 mm
Peak Force: 572 N



Dimensions in mm

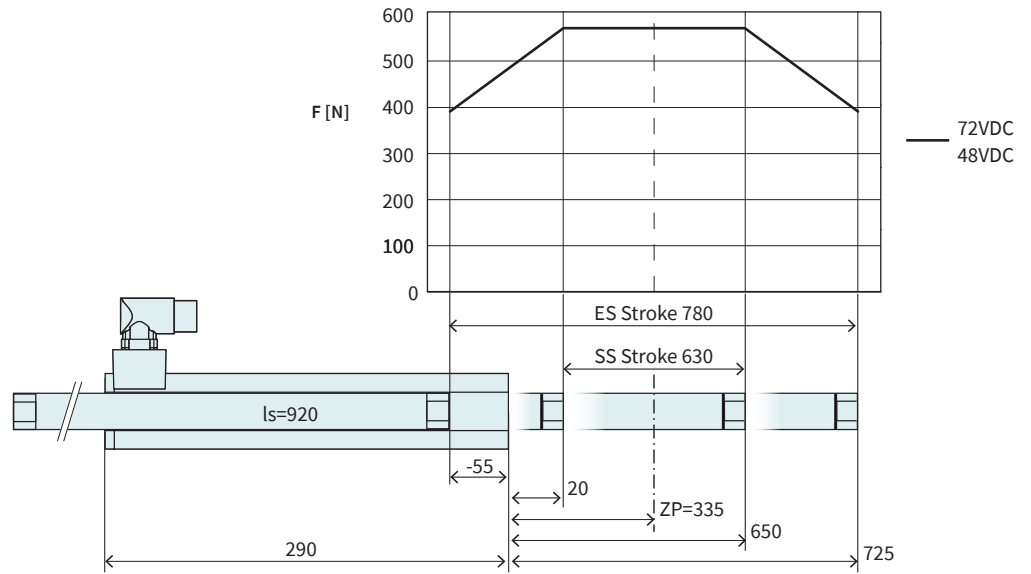
Technical Data P01-48x240F-HP/510x660				
Stroke				
Standard Stroke (SS)	mm	(in)	510	(20.1)
Extended Stroke (ES)	mm	(in)	660	(25.99)
Force				
Max. Force @ 48VDC	N	(lbf)	572	(129)
Max. Force @ 72VDC	N	(lbf)	572	(129)
Max. Cont. Force [Passive cooling / Fan / Fluid]	N	(lbf)	170 / 290 / -	(38 / 65 / -)
Max. Border Force relative	%		69	
Force Constant	N/A _{pk}	(lbf/A _{pk})	22	(4.95)
Velocity				
Max. Velocity @ 48VDC	m/s	(in/s)	1.9	(78.9)
Max. Velocity @ 72VDC	m/s	(in/s)	2.9	(119.9)
Position Detection				
Repeatability	mm	(in)	±0.05	(±0.002)
Linearity	%		± 0.2	
Electrical Data				
Max. Current @ 48VDC	A _{pk}		25.9	
Max. Current @ 72VDC	A _{pk}		25.9	
Max. Cont. Current [Passive cooling / Fan / Fluid]	A _{pk}		7.7 / 13 / -	
Thermal Data				
Max. Winding Temperature (Sensor)	°C		120	
Thermal Resistance [Passive cooling / Fan / Fluid]	°K/W		0.95 / 0.32 / -	
Thermal Time Constant [Passive cooling / Fan / Fluid]	s		970 / 330 / -	
Mechanical Data				
Slider Length	mm	(in)	800	(31)
Slider Mass	g	(lb)	3670	(8.1)



Item	Description	Item-No.
PS01-48x240F-HP-C	Stator HP with IP67 connector M23/9(m)	0150-2991
PS01-48x240F-HP-C-2S	Stator with IP67 connector M23/9(m) - Safety	0150-22991
PL01-28x800/750-HP	Läufer 'High Performance'	0150-3825
PL01-28x800/750-HP-2S	Läufer 'High Performance' - Safety	0150-23825

P01-48x240F-HP/630x780

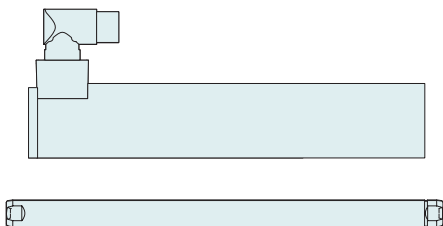
Max. Stroke: 780 mm
Peak Force: 572 N



Dimensions in mm

Technical Data P01-48x240F-HP/630x780

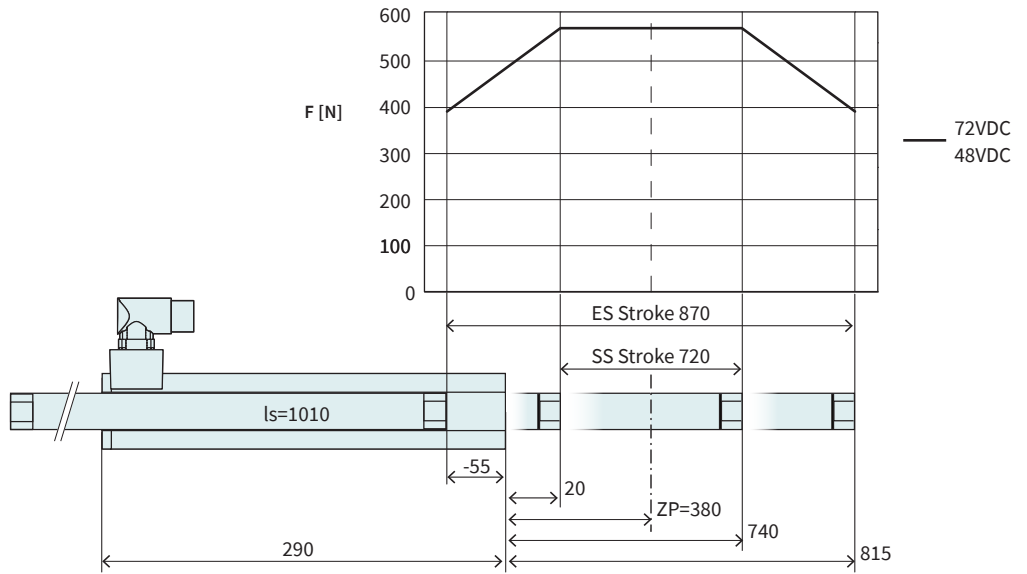
Stroke			
Standard Stroke (SS)	mm (in)	630 (24.8)	
Extended Stroke (ES)	mm (in)	780 (30.69)	
Force			
Max. Force @ 48VDC	N (lbf)	572 (129)	
Max. Force @ 72VDC	N (lbf)	572 (129)	
Max. Cont. Force [Passive cooling / Fan / Fluid]	N (lbf)	170 / 290 / -	(38 / 65 / -)
Max. Border Force relative	%	69	
Force Constant	N/A _{pk} (lbf/A _{pk})	22 (4.95)	
Velocity			
Max. Velocity @ 48VDC	m/s (in/s)	1.9 (78.9)	
Max. Velocity @ 72VDC	m/s (in/s)	2.9 (119.9)	
Position Detection			
Repeatability	mm (in)	±0.05 (±0.002)	
Linearity	%	± 0.2	
Electrical Data			
Max. Current @ 48VDC	A _{pk}	25.9	
Max. Current @ 72VDC	A _{pk}	25.9	
Max. Cont. Current [Passive cooling / Fan / Fluid]	A _{pk}	7.7 / 13 / -	
Thermal Data			
Max. Winding Temperature (Sensor)	°C	120	
Thermal Resistance [Passive cooling / Fan / Fluid]	°K/W	0.95 / 0.32 / -	
Thermal Time Constant [Passive cooling / Fan / Fluid]	s	970 / 330 / -	
Mechanical Data			
Slider Length	mm (in)	920 (36)	
Slider Mass	g (lb)	4230 (9.3)	



Item	Description	Item-No.
PS01-48x240F-HP-C	Stator HP with IP67 connector M23/9(m)	0150-2991
PS01-48x240F-HP-C-2S	Stator with IP67 connector M23/9(m) - Safety	0150-22991
PL01-28x920/870-HP	Slider 'High Performance'	0150-3878
PL01-28x920/870-HP-2S	Slider 'High Performance' - Safety	0150-23878

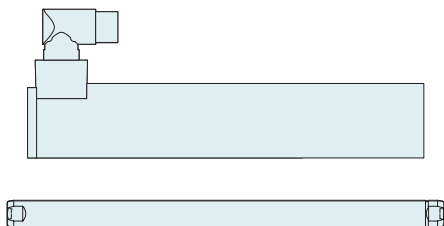
P01-48x240F-HP/720x870

Max. Stroke: 870 mm
Peak Force: 572 N



Dimensions in mm

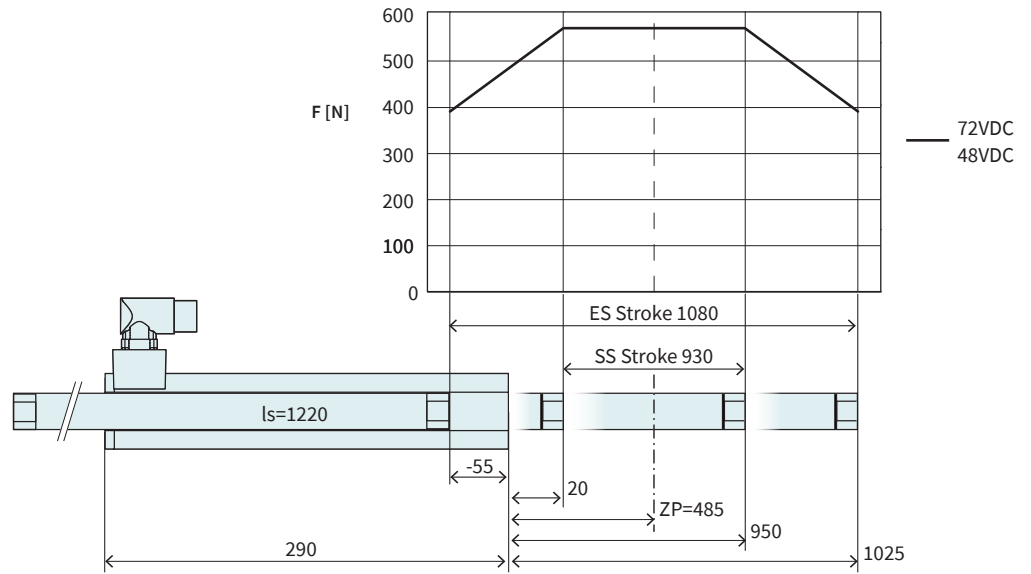
Technical Data P01-48x240F-HP/720x870			
Stroke			
Standard Stroke (SS)	mm (in)	720 (28.3)	
Extended Stroke (ES)	mm (in)	870 (34.29)	
Force			
Max. Force @ 48VDC	N (lbf)	572 (129)	
Max. Force @ 72VDC	N (lbf)	572 (129)	
Max. Cont. Force [Passive cooling / Fan / Fluid]	N (lbf)	170 / 290 / - (38 / 65 / -)	
Max. Border Force relative	%	69	
Force Constant	N/A _{pk} (lbf/A _{pk})	22 (4.95)	
Velocity			
Max. Velocity @ 48VDC	m/s (in/s)	1.9 (78.9)	
Max. Velocity @ 72VDC	m/s (in/s)	2.9 (119.9)	
Position Detection			
Repeatability	mm (in)	±0.05 (±0.002)	
Linearity	%	± 0.2	
Electrical Data			
Max. Current @ 48VDC	A _{pk}	25.9	
Max. Current @ 72VDC	A _{pk}	25.9	
Max. Cont. Current [Passive cooling / Fan / Fluid]	A _{pk}	7.7 / 13 / -	
Thermal Data			
Max. Winding Temperature (Sensor)	°C	120	
Thermal Resistance [Passive cooling / Fan / Fluid]	°K/W	0.95 / 0.32 / -	
Thermal Time Constant [Passive cooling / Fan / Fluid]	s	970 / 330 / -	
Mechanical Data			
Slider Length	mm (in)	1010 (40)	
Slider Mass	g (lb)	4650 (10)	



Item	Description	Item-No.
PS01-48x240F-HP-C	Stator HP with IP67 connector M23/9(m)	0150-2991
PS01-48x240F-HP-C-2S	Stator with IP67 connector M23/9(m) - Safety	0150-22991
PL01-28x1010/960-HP	Slider 'High Performance'	0150-3827
PL01-28x1010/960-HP-2S	Slider 'High Performance' - Safety	0150-23827

P01-48x240F-HP/930x1080

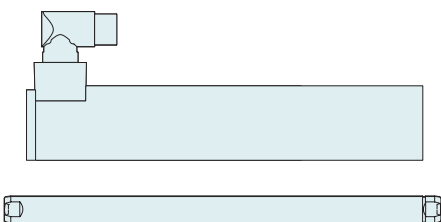
Max. Stroke: 1080 mm
Peak Force: 572 N



Dimensions in mm

Technical Data P01-48x240F-HP/930x1080

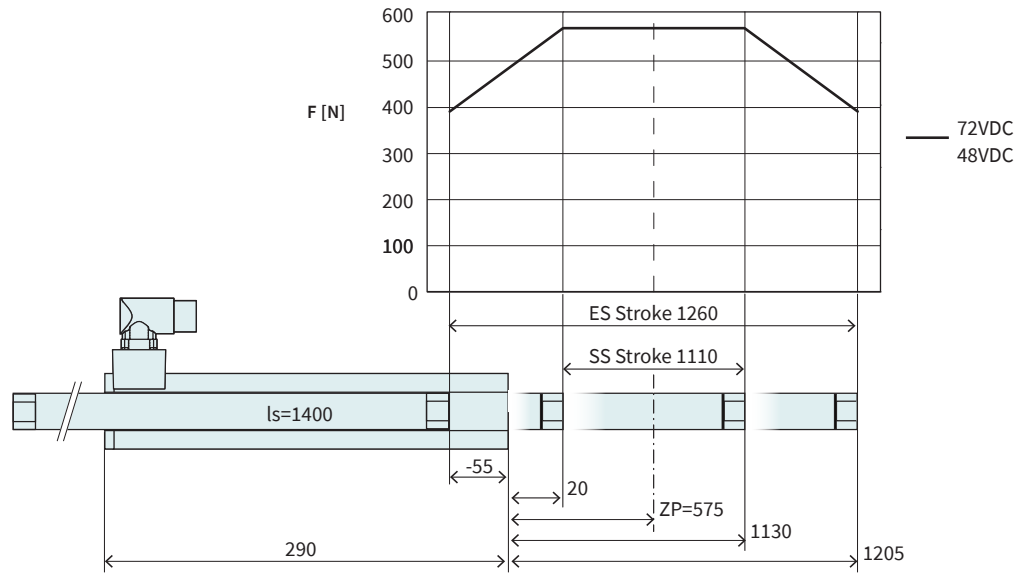
Stroke			
Standard Stroke (SS)	mm (in)	930 (36.6)	
Extended Stroke (ES)	mm (in)	1080 (42.49)	
Force			
Max. Force @ 48VDC	N (lbf)	572 (129)	
Max. Force @ 72VDC	N (lbf)	572 (129)	
Max. Cont. Force [Passive cooling / Fan / Fluid]	N (lbf)	170 / 290 / -	(38 / 65 / -)
Max. Border Force relative	%	69	
Force Constant	N/A _{pk} (lbf/A _{pk})	22	(4.95)
Velocity			
Max. Velocity @ 48VDC	m/s (in/s)	1.9	(78.9)
Max. Velocity @ 72VDC	m/s (in/s)	2.9	(119.9)
Position Detection			
Repeatability	mm (in)	±0.05	(±0.002)
Linearity	%	± 0.15	
Electrical Data			
Max. Current @ 48VDC	A _{pk}	25.9	
Max. Current @ 72VDC	A _{pk}	25.9	
Max. Cont. Current [Passive cooling / Fan / Fluid]	A _{pk}	7.7 / 13 / -	
Thermal Data			
Max. Winding Temperature (Sensor)	°C	120	
Thermal Resistance [Passive cooling / Fan / Fluid]	°K/W	0.95 / 0.32 / -	
Thermal Time Constant [Passive cooling / Fan / Fluid]	s	970 / 330 / -	
Mechanical Data			
Slider Length	mm (in)	1220	(48)
Slider Mass	g (lb)	5620	(12)



Item	Description	Item-No.
PS01-48x240F-HP-C	Stator HP with IP67 connector M23/9(m)	0150-2991
PS01-48x240F-HP-C-2S	Stator with IP67 connector M23/9(m) - Safety	0150-22991
PL01-28x1220/1170-HP	Slider 'High Performance'	0150-3828
PL01-28x1220/1170-HP-2S	Slider 'High Performance' - Safety	0150-23828

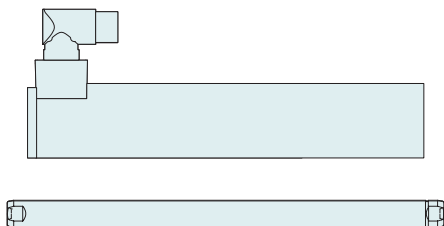
P01-48x240F-HP/1110x1260

Max. Stroke: 1260 mm
Peak Force: 572 N



Dimensions in mm

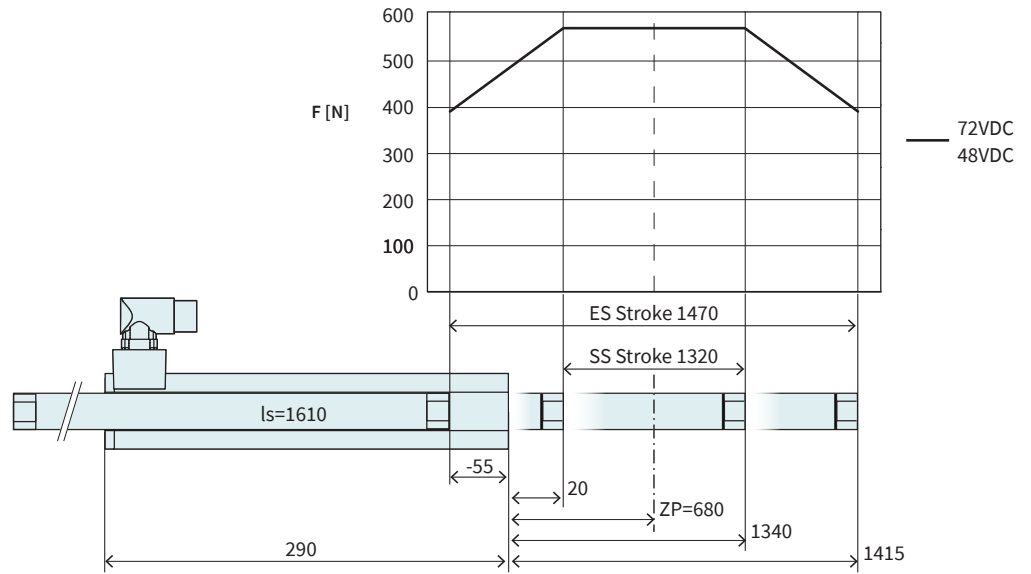
Technical Data P01-48x240F-HP/1110x1260				
Stroke				
Standard Stroke (SS)	mm	(in)	1110	(43.7)
Extended Stroke (ES)	mm	(in)	1260	(49.6)
Force				
Max. Force @ 48VDC	N	(lbf)	572	(129)
Max. Force @ 72VDC	N	(lbf)	572	(129)
Max. Cont. Force [Passive cooling / Fan / Fluid]	N	(lbf)	170 / 290 / -	(38 / 65 / -)
Max. Border Force relative	%		69	
Force Constant	N/A _{pk}	(lbf/A _{pk})	22	(4.95)
Velocity				
Max. Velocity @ 48VDC	m/s	(in/s)	1.9	(78.9)
Max. Velocity @ 72VDC	m/s	(in/s)	2.9	(119.9)
Position Detection				
Repeatability	mm	(in)	±0.05	(±0.002)
Linearity	%		±0.15	
Electrical Data				
Max. Current @ 48VDC	A _{pk}		25.9	
Max. Current @ 72VDC	A _{pk}		25.9	
Max. Cont. Current [Passive cooling / Fan / Fluid]	A _{pk}		7.7 / 13 / -	
Thermal Data				
Max. Winding Temperature (Sensor)	°C		120	
Thermal Resistance [Passive cooling / Fan / Fluid]	°K/W		0.95 / 0.32 / -	
Thermal Time Constant [Passive cooling / Fan / Fluid]	s		970 / 330 / -	
Mechanical Data				
Slider Length	mm	(in)	1400	(55)
Slider Mass	g	(lb)	6460	(14)



Item	Description	Item-No.
PS01-48x240F-HP-C	Stator HP with IP67 connector M23/9(m)	0150-2991
PS01-48x240F-HP-C-2S	Stator with IP67 connector M23/9(m) - Safety	0150-2991
PL01-28x1400/1350-HP	Slider 'High Performance'	0150-3829
PL01-28x1400/1350-HP-2S	Slider 'High Performance' - Safety	0150-23829

P01-48x240F-HP/1320x1470

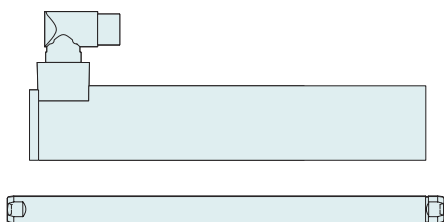
Max. Stroke: 1470 mm
Peak Force: 572 N



Dimensions in mm

Technical Data P01-48x240F-HP/1320x1470

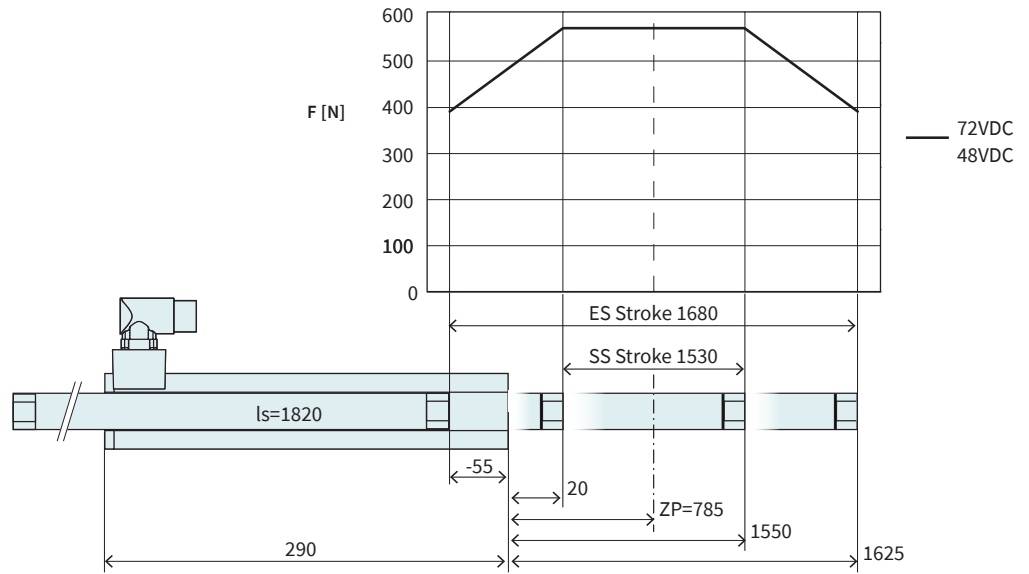
Stroke			
Standard Stroke (SS)	mm (in)	1320 (51.99)	
Extended Stroke (ES)	mm (in)	1470 (57.89)	
Force			
Max. Force @ 48VDC	N (lbf)	572 (129)	
Max. Force @ 72VDC	N (lbf)	572 (129)	
Max. Cont. Force [Passive cooling / Fan / Fluid]	N (lbf)	170 / 290 / -	(38 / 65 / -)
Max. Border Force relative	%	69	
Force Constant	N/A _{pk} (lbf/A _{pk})	22	(4.95)
Velocity			
Max. Velocity @ 48VDC	m/s (in/s)	1.9	(78.9)
Max. Velocity @ 72VDC	m/s (in/s)	2.9	(119.9)
Position Detection			
Repeatability	mm (in)	±0.05	(±0.002)
Linearity	%	± 0.15	
Electrical Data			
Max. Current @ 48VDC	A _{pk}	25.9	
Max. Current @ 72VDC	A _{pk}	25.9	
Max. Cont. Current [Passive cooling / Fan / Fluid]	A _{pk}	7.7 / 13 / -	
Thermal Data			
Max. Winding Temperature (Sensor)	°C	120	
Thermal Resistance [Passive cooling / Fan / Fluid]	°K/W	0.95 / 0.32 / -	
Thermal Time Constant [Passive cooling / Fan / Fluid]	s	970 / 330 / -	
Mechanical Data			
Slider Length	mm (in)	1610	(63)
Slider Mass	g (lb)	7440	(16)



Item	Description	Item-No.
PS01-48x240F-HP-C	Stator HP with IP67 connector M23/9(m)	0150-2991
PS01-48x240F-HP-C-2S	Stator with IP67 connector M23/9(m) - Safety	0150-22991
PL01-28x1610/1560-HP	Slider 'High Performance'	0150-3830
PL01-28x1610/1560-HP-2S	Slider 'High Performance' - Safety	0150-23830

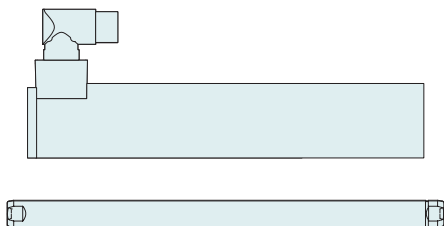
P01-48x240F-HP/1530x1680

Max. Stroke: 1680 mm
Peak Force: 572 N



Dimensions in mm

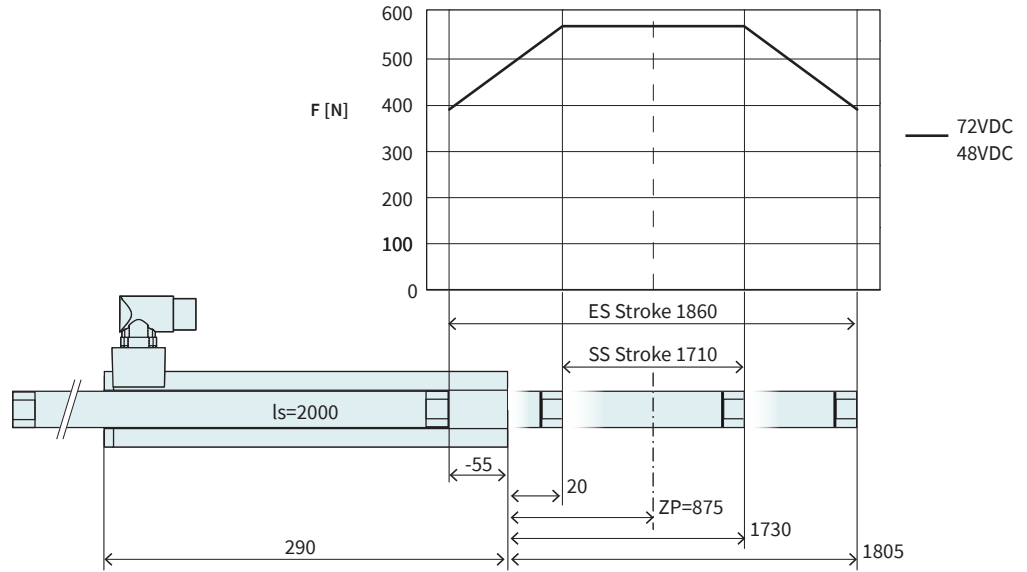
Technical Data P01-48x240F-HP/1530x1680				
Stroke				
Standard Stroke (SS)	mm	(in)	1530	(60.2)
Extended Stroke (ES)	mm	(in)	1680	(66.09)
Force				
Max. Force @ 48VDC	N	(lbf)	572	(129)
Max. Force @ 72VDC	N	(lbf)	572	(129)
Max. Cont. Force [Passive cooling / Fan / Fluid]	N	(lbf)	170 / 290 / -	(38 / 65 / -)
Max. Border Force relative	%		69	
Force Constant	N/A _{pk}	(lbf/A _{pk})	22	(4.95)
Velocity				
Max. Velocity @ 48VDC	m/s	(in/s)	1.9	(78.9)
Max. Velocity @ 72VDC	m/s	(in/s)	2.9	(119.9)
Position Detection				
Repeatability	mm	(in)	±0.05	(±0.002)
Linearity	%		±0.15	
Electrical Data				
Max. Current @ 48VDC	A _{pk}		25.9	
Max. Current @ 72VDC	A _{pk}		25.9	
Max. Cont. Current [Passive cooling / Fan / Fluid]	A _{pk}		7.7 / 13 / -	
Thermal Data				
Max. Winding Temperature (Sensor)	°C		120	
Thermal Resistance [Passive cooling / Fan / Fluid]	°K/W		0.95 / 0.32 / -	
Thermal Time Constant [Passive cooling / Fan / Fluid]	s		970 / 330 / -	
Mechanical Data				
Slider Length	mm	(in)	1820	(72)
Slider Mass	g	(lb)	8410	(19)



Item	Description	Item-No.
PS01-48x240F-HP-C	Stator HP with IP67 connector M23/9(m)	0150-2991
PS01-48x240F-HP-C-2S	Stator with IP67 connector M23/9(m) - Safety	0150-22991
PL01-28x1820/1770-HP	Slider 'High Performance'	0150-3831
PL01-28x1820/1770-HP-2S	Slider 'High Performance' - Safety	0150-23831

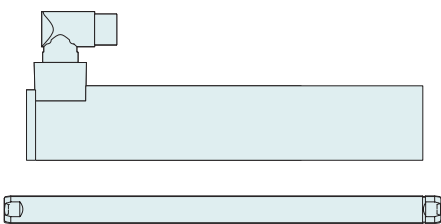
P01-48x240F-HP/1710x1860

Max. Stroke: 1860 mm
Peak Force: 572 N



Dimensions in mm

Technical Data P01-48x240F-HP/1710x1860			
Stroke			
Standard Stroke (SS)	mm (in)		1710 (67.29)
Extended Stroke (ES)	mm (in)		1860 (73.2)
Force			
Max. Force @ 48VDC	N (lbf)		572 (129)
Max. Force @ 72VDC	N (lbf)		572 (129)
Max. Cont. Force [Passive cooling / Fan / Fluid]	N (lbf)		170 / 290 / - (38 / 65 / -)
Max. Border Force relative	%		69
Force Constant	N/A _{pk} (lbf/A _{pk})		22 (4.95)
Velocity			
Max. Velocity @ 48VDC	m/s (in/s)		1.9 (78.9)
Max. Velocity @ 72VDC	m/s (in/s)		2.9 (119.9)
Position Detection			
Repeatability	mm (in)		±0.05 (±0.002)
Linearity	%		± 0.15
Electrical Data			
Max. Current @ 48VDC	A _{pk}		25.9
Max. Current @ 72VDC	A _{pk}		25.9
Max. Cont. Current [Passive cooling / Fan / Fluid]	A _{pk}		7.7 / 13 / -
Thermal Data			
Max. Winding Temperature (Sensor)	°C		120
Thermal Resistance [Passive cooling / Fan / Fluid]	°K/W		0.95 / 0.32 / -
Thermal Time Constant [Passive cooling / Fan / Fluid]	s		970 / 330 / -
Mechanical Data			
Slider Length	mm (in)		2000 (79)
Slider Mass	g (lb)		9250 (20)



Item	Description	Item-No.
PS01-48x240F-HP-C	Stator HP with IP67 connector M23/9(m)	0150-2991
PS01-48x240F-HP-C-2S	Stator with IP67 connector M23/9(m) - Safety	0150-22991
PL01-28x2000/1950-HP	Slider 'High Performance'	0150-3832
PL01-28x2000/1950-HP-2S	Slider 'High Performance' - Safety	0150-23832

Linear Guides H01



HM01-48x240/120				
Linear Module 48x240 with 120 mm Stroke				
→	H-Guide	H01-48x250/120	H-Guide for P01-48x240, Stroke max 120 mm	0150-5100
		H01-48x250/120-GF	H-Guide for P01-48x240, Stroke max 120 mm	0150-5104
→	Stator	PS01-48x240F-HP-C	Stator HP with IP67 Connector M23/9(m)	0150-2991
		PS01-48x240F-HP-C-2S	Stator HP with IP67 Connector M23/9(m) - Safety	0150-22991
→	Slider	PL01-28x410/360-HP	Slider 'High Performance'	0150-3821
		PL01-28x410/360-HP-2S	Slider 'High Performance' - Safety	0150-23821
HM01-48x240/210				
Linear Module 48x240 with 210 mm Stroke				
→	H-Guide	H01-48x250/210	H-Guide for P01-48x240, Stroke max 210 mm	0150-5101
		H01-48x250/210-GF	H-Guide for P01-48x240, Stroke max 210 mm	0150-5105
→	Stator	PS01-48x240F-HP-C	Stator HP with IP67 Connector M23/9(m)	0150-2991
		PS01-48x240F-HP-C-2S	Stator HP with IP67 Connector M23/9(m) - Safety	0150-22991
→	Slider	PL01-28x500/450-HP	Slider 'High Performance'	0150-3822
		PL01-28x500/450-HP-2S	Slider 'High Performance' - Safety	0150-23822
HM01-48x240/330				
Linear Module 48x240 with 330 mm Stroke				
→	H-Guide	H01-48x250/330	H-Guide for P01-48x240, Stroke max 330 mm	0150-5102
		H01-48x250/330-GF	H-Guide for P01-48x240, Stroke max 330 mm	0150-5106
→	Stator	PS01-48x240F-HP-C	Stator HP with IP67 Connector M23/9(m)	0150-2991
		PS01-48x240F-HP-C-2S	Stator HP with IP67 Connector M23/9(m) - Safety	0150-22991
→	Slider	PL01-28x620/570-HP	Slider 'High Performance'	0150-3823
		PL01-28x620/570-HP-2S	Slider 'High Performance' - Safety	0150-23823
HM01-48x240/420				
Linear Module 48x240 with 420 mm Stroke				
→	H-Guide	H01-48x250/420	H-Guide for P01-48x240, Stroke max 420 mm	0150-5103
		H01-48x250/420-GF	H-Guide for P01-48x240, Stroke max 420 mm	0150-5107
→	Stator	PS01-48x240F-HP-C	Stator HP with IP67 Connector M23/9(m)	0150-2991
		PS01-48x240F-HP-C-2S	Stator HP with IP67 Connector M23/9(m) - Safety	0150-22991
→	Slider	PL01-28x710/660-HP	Slider 'High Performance'	0150-3824
		PL01-28x710/660-HP-2S	Slider 'High Performance' - Safety	0150-23824
Accessories				
→	Brake	HB01-48	Pneumatic Brake for H01-48/1000N(4-6Bar)	0150-5098
→	Fan	HV01-37/48	Fan cooling for H01-37/48 & PF02-37/48	0150-5051
→	MagSpring	MF01-37/H37	Flange MagSpring 37 / H-Guide 23/37/48	0250-2307
→		MA01-37/H48	Adapter MagSpring 37 / H-Guide 48	0250-0118
→	Sliding block	PFN01-8/M6	Sliding block 8mm, M6 thread	0250-3245
→	Centering sleeve	HC01-11/05	Centering sleeve D11x5 mm	0150-3252
→	Wipers	HA01-48/28-F	Wiper for H01-48 guides, front side	0150-5109

FIND MORE PRODUCT DETAILS IN THE CHAPTER "LINEAR GUIDES".

Bridge Guide B01

3



BM01-48x240/90 | Bridge Module 48x240 with 90 mm Stroke

→	B-Guide	B01-48x250/90	B-Guide for P01-48x240, Stroke max 90 mm	0150-5150
		B01-48x250/90-GF	B-Guide for P01-48x240, Stroke max 90 mm	0150-5154
→	Stator	PS01-48x240F-HP-C	Stator HP with IP67 Connector M23/9(m)	0150-2991
→	Slider	PL01-27x410/330	High Clearance Slider for B01-48x250/90	0150-1468

BM01-48x240/180 | Bridge Module 48x240 with 180 mm Stroke

→	B-Guide	B01-48x250/180	B-Guide for P01-48x240, Stroke max 180mm	0150-5151
		B01-48x250/180-GF	B-Guide for P01-48x240, Stroke max 180mm	0150-5155
→	Stator	PS01-48x240F-HP-C	Stator HP with IP67 Connector M23/9(m)	0150-2991
→	Slider	PL01-27x500/420	High Clearance Slider for B01-48x250/180	0150-1469

BM01-48x240/300 | Bridge Module 48x240 with 300 mm Stroke

→	B-Guide	B01-48x250/300	B-Guide for P01-48x240, Stroke max 300 mm	0150-5152
		B01-48x250/300-GF	B-Guide for P01-48x240, Stroke max 300 mm	0150-5156
→	Stator	PS01-48x240F-HP-C	Stator HP with IP67 Connector M23/9(m)	0150-2991
→	Slider	PL01-27x620/540	High Clearance Slider for B01-48x250/300	0150-1470

BM01-48x240/390 | Bridge Module 48x240 with 390 mm Stroke

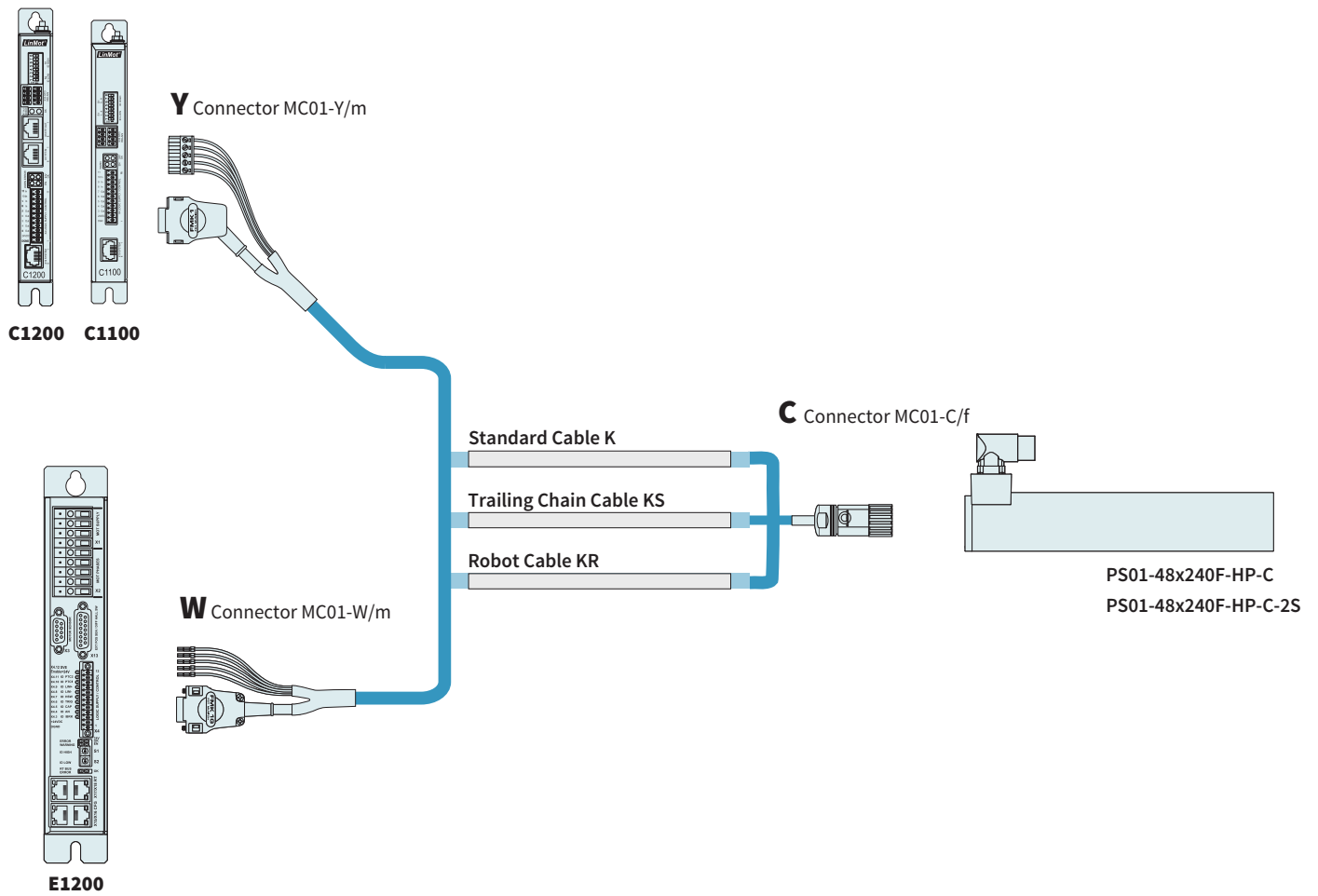
→	B-Guide	B01-48x250/390	B-Guide for P01-48x240, Stroke max 390 mm	0150-5153
		B01-48x250/390-GF	B-Guide for P01-48x240, Stroke max 390 mm	0150-5157
→	Stator	PS01-48x240F-HP-C	Stator HP with IP67 Connector M23/9(m)	0150-2991
→	Slider	PL01-27x710/630	High Clearance Slider for B01-48x250/390	0150-1471

Accessories

→	Brake	HB01-48	Pneumatic Brake for H01-48/1000N(4-6Bar)	0150-5098
→	Fan	HV01-37/48	Fan for H01-37 and -48 H-Guideen	0150-5051
→	MagSpring	MF01-37/H37	Flange MagSpring 37 / H-Guide 23/37/48	0250-2307
→		MA01-37/H48	Adapter MagSpring 37 / H-Guide 48	0250-0118
→	Sliding block	PFN01-8/M6	Sliding block 8mm, M6 thread	0250-3245
→	Centering sleeve	HC01-11/05	Centering sleeve D11x5 mm	0150-3252
→	Wipers	HA01-48/27-F	Wiper for H01-48 guides, front side	0150-5178

FIND MORE PRODUCT DETAILS IN THE CHAPTER "LINEAR GUIDES".

Motor Cable



Note: Linear Motor does not run on servo drive series E100 and E1000 as well as on the series B1100 and E1100.

ORDERING INFORMATION

STANDARD CABLE		
Item	Description	Item-No.
K15-W/C-2	Motor Cable W/C, 2 m	0150-1811
K15-W/C-4	Motor Cable W/C, 4 m	0150-1801
K15-W/C-6	Motor Cable W/C, 6 m	0150-1802
K15-W/C-8	Motor Cable W/C, 8 m	0150-1803
K15-W/C-	Motor Cable W/C, Custom length	0150-3131
K15-Y/C-2	Motor Cable Y/R, 2 m	0150-2429
K15-Y/C-4	Motor Cable Y/R, 4 m	0150-2430
K15-Y/C-6	Motor Cable Y/R, 6 m	0150-2431
K15-Y/C-8	Motor Cable Y/R, 8 m	0150-2432
K15-Y-Fe/C-	Motor Cable Y-Fe/R, Custom length	0150-3506

TRAILING CHAIN CABLE

Item	Description	Item-No.
KS10-W/C-4	Trailing Chain Cable W/C, 4 m	0150-1807
KS10-W/C-6	Trailing Chain Cable W/C, 6 m	0150-1858
KS10-W/C-8	Trailing Chain Cable W/C, 8 m	0150-1808
KS10-W/C-	Trailing Chain Cable W/C, Custom length	0150-3139
KS10-Y/C-4	Trailing Chain Cable Y/C, 4 m	0150-2439
KS10-Y/C-6	Trailing Chain Cable Y/C, 6 m	0150-2440
KS10-Y/C-8	Trailing Chain Cable Y/C, 8 m	0150-2441
KS10-Y/C-	Trailing Chain Cable Y-Fe/C, Custom length	0150-3511

ROBOT CABLE

Item	Description	Item-No.
KR10-W/C-	Robot Cable KR10-W/C, Custom length	0150-3199
KR10-Y-Fe/C-	Robot Cable KR10-Y-Fe/C, Custom length	0150-3515

CONNECTOR & CABLE (INDIVIDUAL)

Item	Description	Item-No.
MC01-W/m	Motor Connector W/m	0150-3140
MC01-Y-Fe/m	Motor Connector Y-Fe/m	0150-3289
MC01-C/f	Motor Connector C/f	0150-3080
MC01-P/f	Motor Connector P/f	0150-3021
K15-04/05	Motor Cable per m	0150-1978
KS10-04/05	Trailing Chain Cable per m	0150-1977
KR10-04/05	Robot Cable per m	0150-1830

MOTOR FLANGES



Item	Description	Item-No.
PF01-48x120	Flange 48x120 mm	0150-1976
PF01-48x226	Flange 48x226 mm	0150-2108

FIND MORE PRODUCT DETAILS IN THE CHAPTER "ACCESSORIES".

FANS



Item	Description	Item-No.
HV01-37/48	Fan cooling for H01-37, B01-37 and PF02-37	0150-5051

FIND MORE PRODUCT DETAILS IN THE CHAPTER "ACCESSORIES".

SLIDER MOUNTING



Item	Description	Item-No.
PLF01-28	Fixed Bearing Set for 27 mm and 28mm Slider	0150-3087
PLF01-28-SS	Fixed Bearing Set for 27 mm and 28 mm Slider, Stainless steel	0150-3297
PLL01-27	Floating Bearing for PL01-27 Slider	0150-3294
PLL01-28	Floating Bearing for PL01-28 Slider	0150-3094
PLM01-28-MK	Mounting Kit for PL01-28 Slider	0150-3095

FIND MORE PRODUCT DETAILS IN THE CHAPTER "ACCESSORIES".

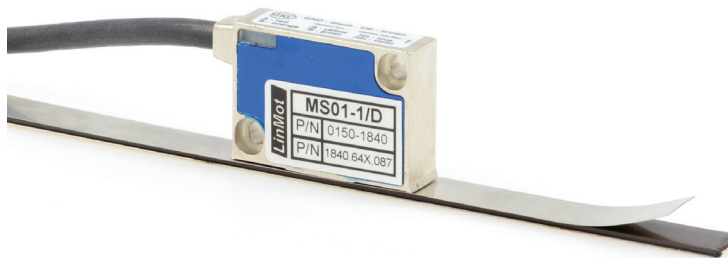
WIPERS



Item	Description	Item-No.
PA01-48/27-F	Wipers for PS01-48x... for High-Clearance Slider	0150-3228
PA01-48/27-R	Wipers for PS01-48x...-C for High-Clearance Slider	0150-3229
PA01-48/28-F	Wipers for PS01-48x...	0150-3127
PA01-48/28-R	Wipers for PS01-48x...-C	0150-3202

FIND MORE PRODUCT DETAILS IN THE CHAPTER "ACCESSORIES".

EXTERNAL POSITION SENSORS



Item	Description	Item-No.
MS01-1/D	Linear Encoder 1µm, A/B (for inc. strip)	0150-1840
MB01-1000	Magnetic incremental strip for MS01-1/D, per cm	0150-1963
KS025-D/D-Encoder	Encoder Cable (Length in m)	0150-3166
KS025-D/D15-Encoder	Encoder Cable (Length in m)	0150-3168

FIND MORE PRODUCT DETAILS IN THE CHAPTER "ACCESSORIES".



Item	Description	Item-No.
MS01-1/D-SSI	Linear Encoder 1µm, A/B (for absolute strip)	0150-2095
MB01-1000-ABS	Magnetic absolute strip for MS01-1/D-SSI (per cm)	0150-2096
EC01-ABS/ENC-12-S	MS01-1/D-SSI Encoder connector straight	0150-3616
KSS01-12-D15/ABS-ENC	Special cable for MS01-1/D-SSI on C1100/C1200/C1400/E1200/E1400 Drives	0150-3652

FIND MORE PRODUCT DETAILS IN THE CHAPTER "ACCESSORIES".

Area with horizontal dotted lines for notes.